

Compal Confidential

PBJ30 Schematics Document

Nvidia(T20) + DDRII

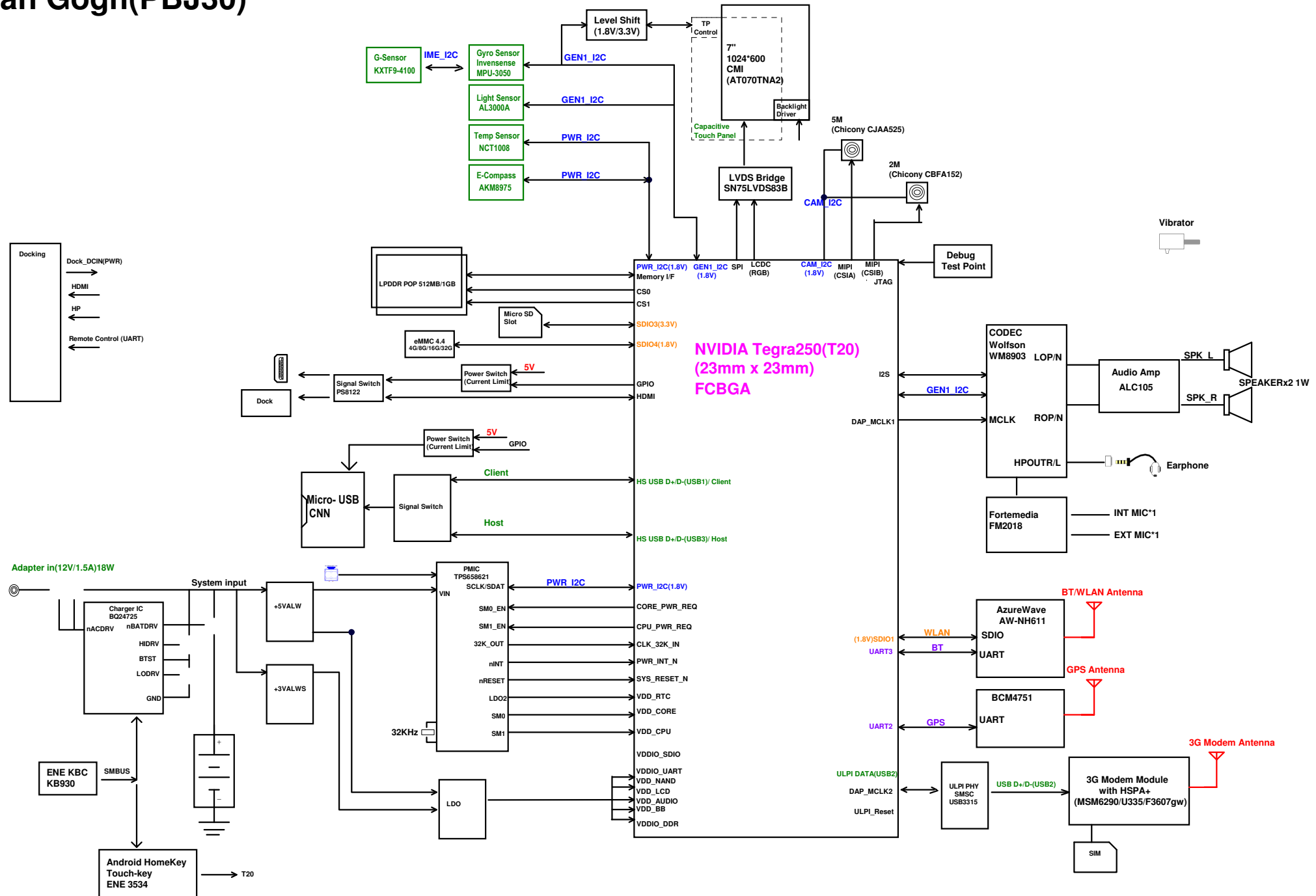
2011-04-12

REV: 1.0 (PVT)

Security Classification	Compal Secret Data		Compal Electronics, Inc.	
Issued Date	2011/4/1	Deciphered Date	2008/09/20	Title
<small>THIS SHEET OF ENGINEERING DRAWING IS THE PROPRIETARY PROPERTY OF COMPAL ELECTRONICS, INC. AND CONTAINS CONFIDENTIAL AND TRADE SECRET INFORMATION. THIS SHEET MAY NOT BE TRANSFERRED FROM THE CUSTODY OF THE COMPETENT DIVISION OF R&D DEPARTMENT EXCEPT AS AUTHORIZED BY COMPAL ELECTRONICS, INC. NEITHER THIS SHEET NOR THE INFORMATION IT CONTAINS MAY BE USED BY OR DISCLOSED TO ANY THIRD PARTY WITHOUT PRIOR WRITTEN CONSENT OF COMPAL ELECTRONICS, INC.</small>				Cover Page
Size	Document Number	Rev		
C	LA-7251P	1.0		
Date:	Tuesday, April 12, 2011	Sheet	1	of 34

NVIDIA Tegra250(T20) System Block Diagram

Van Gogh(PBJ30)



Voltage Rails

Power Plane	Description
VIN	Adapter power supply (19V)
B+	AC or battery power rail for power circuit.
+1.2VS_SM0	Core voltage for CPU
+1.0VS_SM1	CPU voltage for CPU
+1.1VS_LDO1	AVDD_PLL power rail
+1.2VS_LDO2	T20 RTC power rail
+1.8VS_LDO4	T20 system power rail
+3.3VS_LDO3	T20 USB power rail
+2.85VS_LDO5	Core voltage for EMMC
+2.85VS_LDO6	Core voltage for CAMERA
+3.3VS_LDO7	T20 HDMI power rail
+1.8VS_LDO8	T20 HDMI PLL power rail
+2.85VS_LDO9	T20 DDR RX power rail
+3VALW	3.3V always on power rail
+3VS	3.3V switched power rail for standby mode
+5VALW	5V always on power rail
+1.8VS	1.8V always on power rail
+1.8VS_S3	1.8V switched power rail for standby mode
+3.3VS_RTC	RTC power

PWR_I2C address

Device	Address
PMU	0110 100x b
e-Compass	0001 100x b
Temperature sensor	1001 100x b

CAM_I2C address

Device	Address
Camera 5M	0111 101x b
Camera 2M	0111 100x b
LED Flash	0110 011x b

GEN1_I2C

Device	Address
Audio Codec	0011 010x b
Light sensor	0011 100x b
Gyro	1101 000x b
G-sensor	0001 111x b
Touch-Pad	1100 111x b

TS_I2C

Device	Address
--------	---------

GEN2_I2C

Device	Address
EC	1011 000x b

AP_SMB

Device	Address
--------	---------

EC_SMB

Device	Address
Echo Cancellation	1100 000x b

IME_I2C

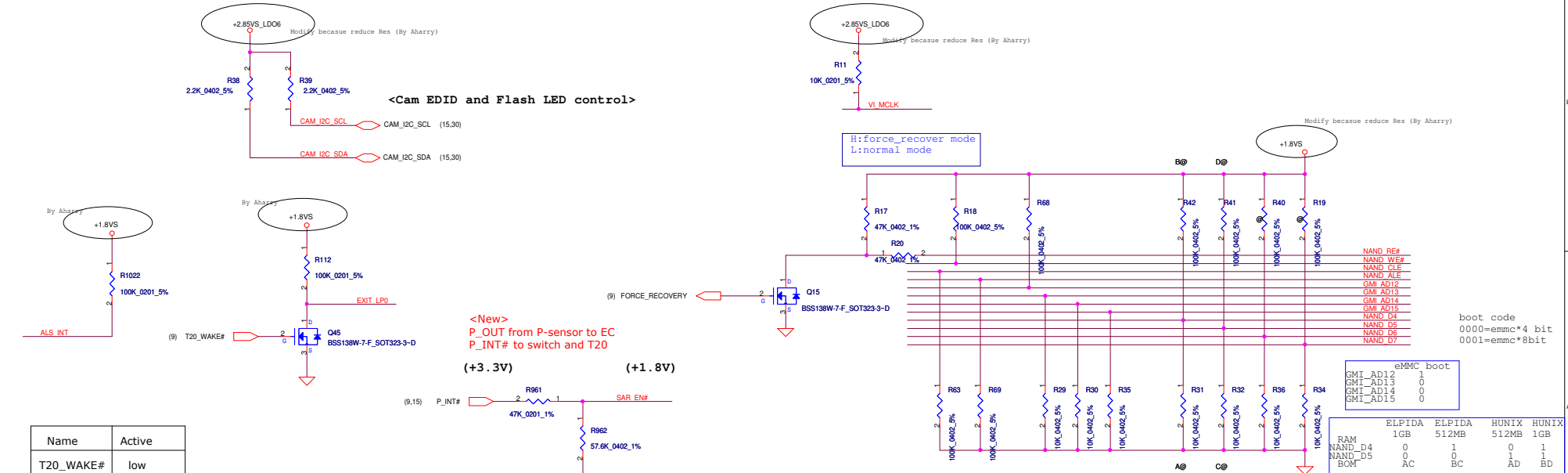
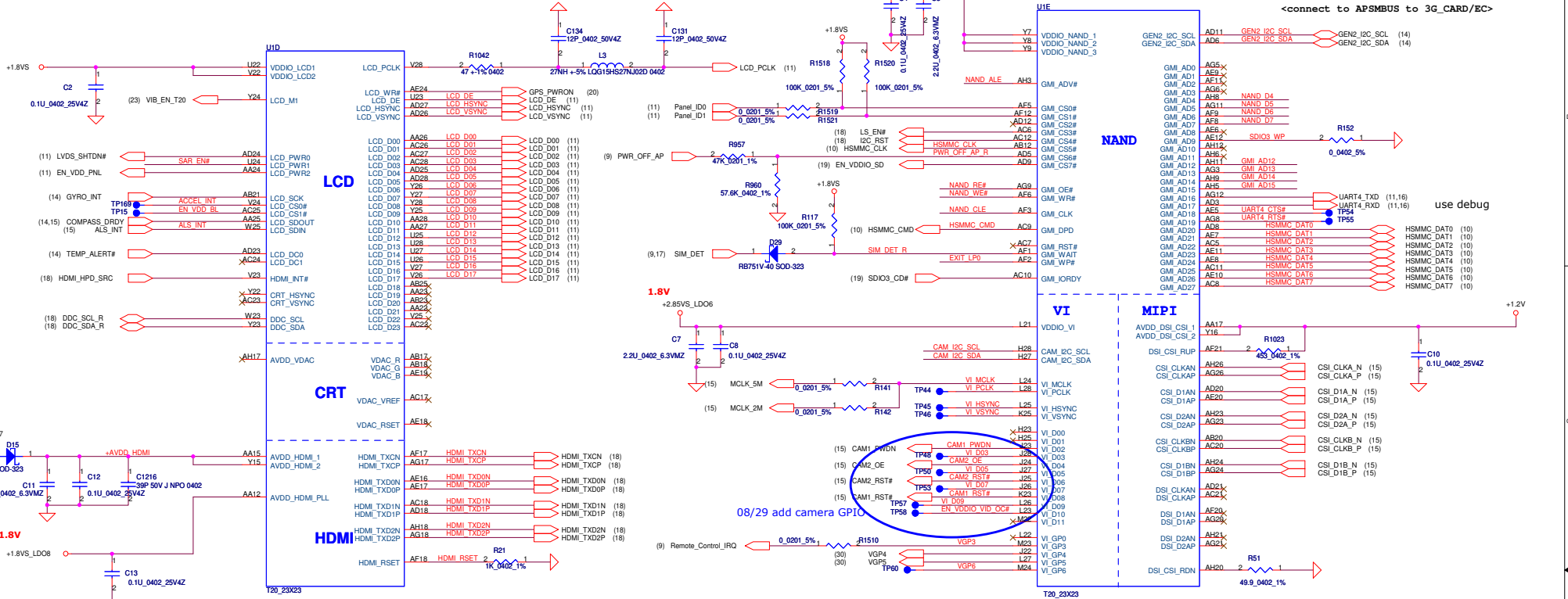
Device	Address
--------	---------

DDC_I2C

HDMI_DDC_I2C

Device	Address
--------	---------

Security Classification		Compal Secret Data		Compal Electronics, Inc.	
Issued Date	2011/4/1	Deciphered Date	2008/09/20	Title	
THIS SHEET OF ENGINEERING DRAWING IS THE PROPRIETARY PROPERTY OF COMPAL ELECTRONICS, INC. AND CONTAINS CONFIDENTIAL AND TRADE SECRET INFORMATION. THIS SHEET MAY NOT BE TRANSFERRED FROM THE CUSTODY OF THE COMPETENT DIVISION OF R&D DEPARTMENT EXCEPT AS AUTHORIZED BY COMPAL ELECTRONICS, INC. NEITHER THIS SHEET NOR THE INFORMATION IT CONTAINS MAY BE USED BY OR DISCLOSED TO ANY THIRD PARTY WITHOUT PRIOR WRITTEN CONSENT OF COMPAL ELECTRONICS, INC.				Notes List	
Size	Document Number	Date		Rev	1.0
Custom	LA-7251P	Tuesday, April 12, 2011		Sheet	3 of 34

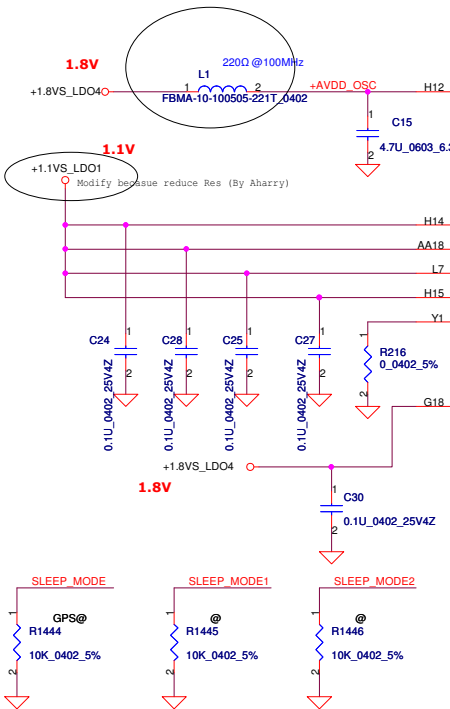


Name	Active
T20_WAKE#	low
EXIT_LPO	High

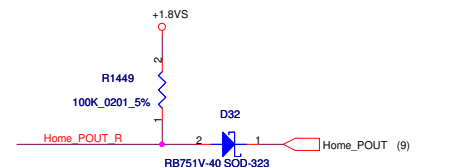
eMMC boot			
GMI_AD11	0	0	0
GMI_AD13	0	0	0
GMI_AD14	0	0	0
GMI_AD15	0	0	0

	ELP1DA	ELP2DA	HUN1X	HUN2X
RAM	1GB	512MB	512MB	1GB
NAND_D4	0	1	0	1
NAND_D5	0	0	1	1
BOM	AC	BC	AD	BD

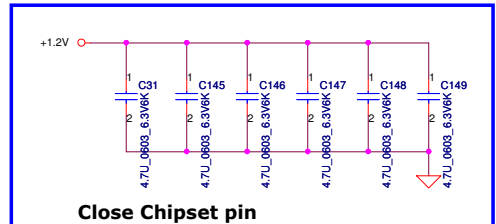
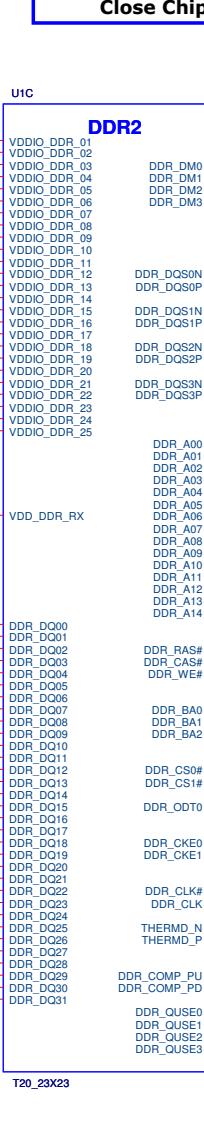
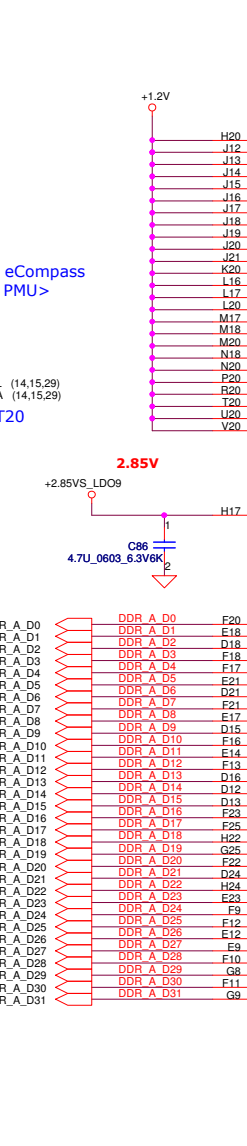
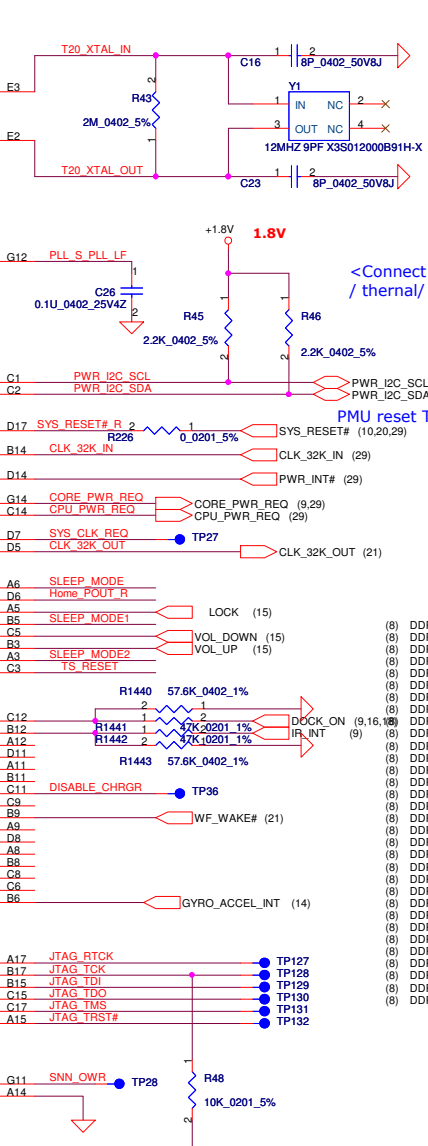
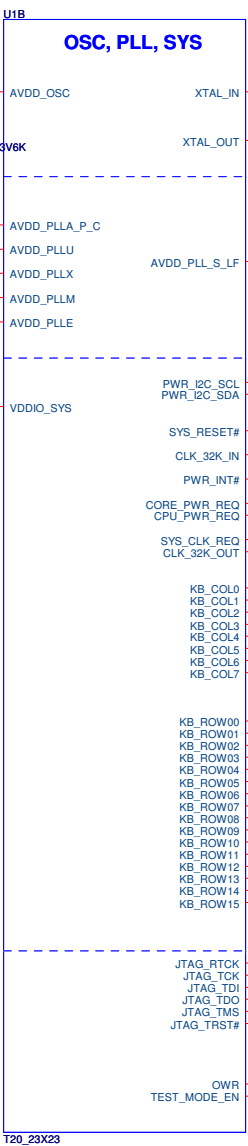
1/10 modify BOM



	3G	GPS
MODE (A6)	1	0



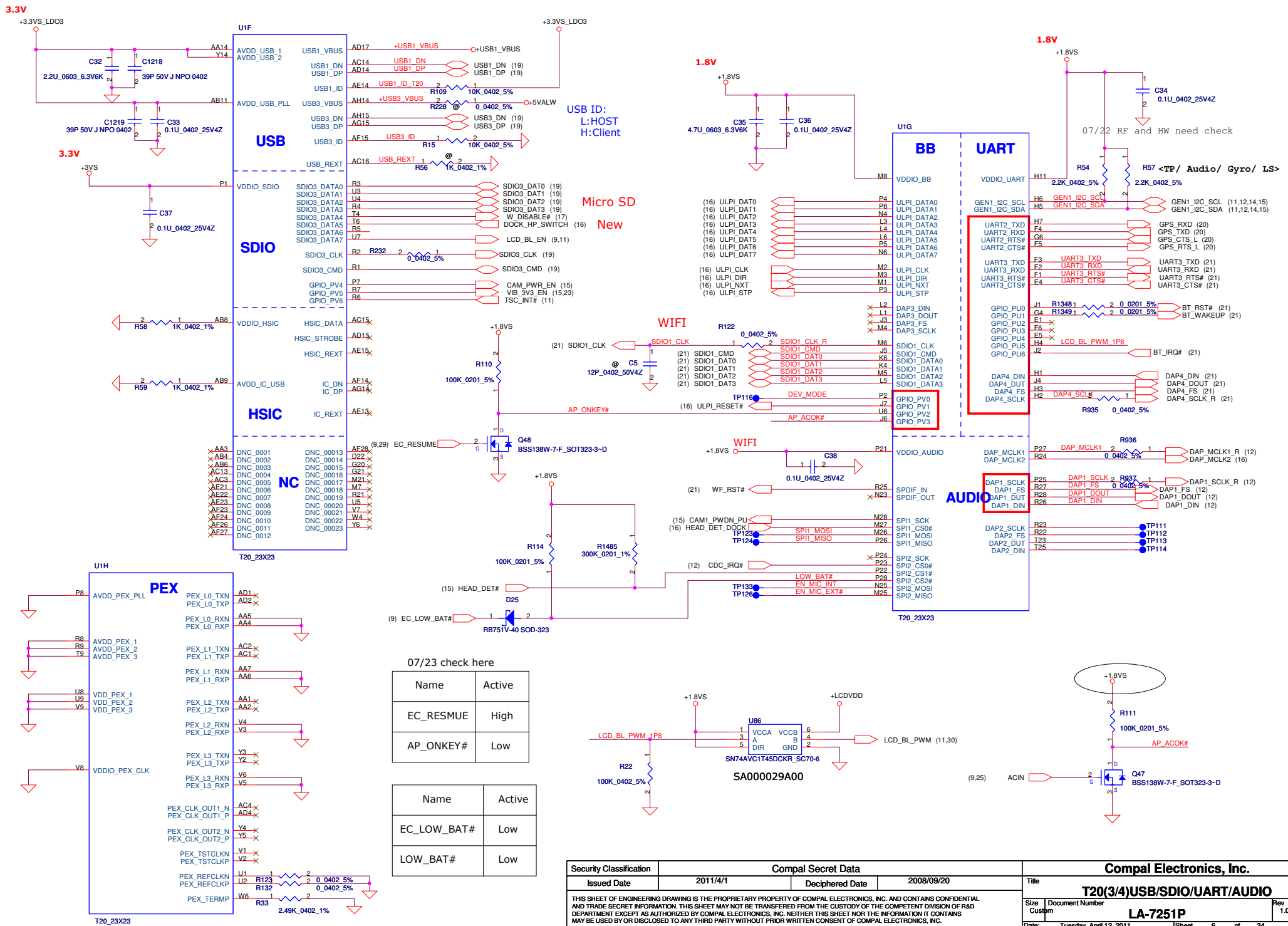
New HomeKey Bottom from cap-snesor IC to EC and POUT to T20



Security Classification	Compal Secret Data	
Issued Date	2011/4/1	Deciphered Date
		2008/09/20

THIS SHEET OF ENGINEERING DRAWING IS THE PROPRIETARY PROPERTY OF COMPAL ELECTRONICS, INC. AND CONTAINS CONFIDENTIAL AND TRADE SECRET INFORMATION. THIS SHEET MAY NOT BE TRANSFERRED FROM THE CUSTODY OF THE COMPETENT PRODUCT R&D DEPARTMENT EXCEPT AS AUTHORIZED BY COMPAL ELECTRONICS, INC. NEITHER THIS SHEET NOR THE INFORMATION IT CONTAINS MAY BE USED BY OR DISCLOSED TO ANY THIRD PARTY WITHOUT PRIOR WRITTEN CONSENT OF COMPAL ELECTRONICS, INC.

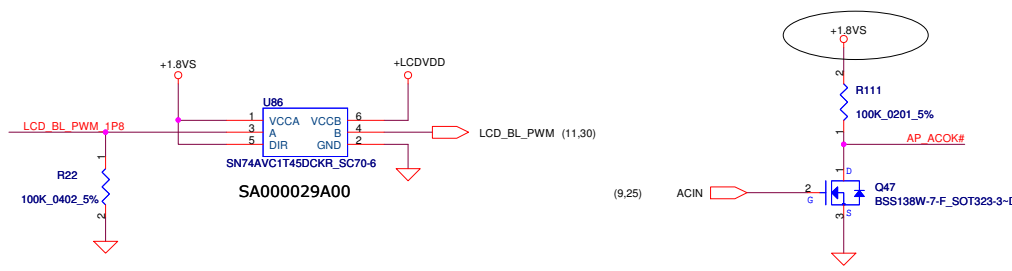
Compal Electronics, Inc.	
Title	
T20(2/4)OSC/PLL/SYS/DDR	
Size	Document Number
Custom	LA-7251P
Date:	Thursday, April 28, 2011
Sheet	5 of 34
Rev	1.0

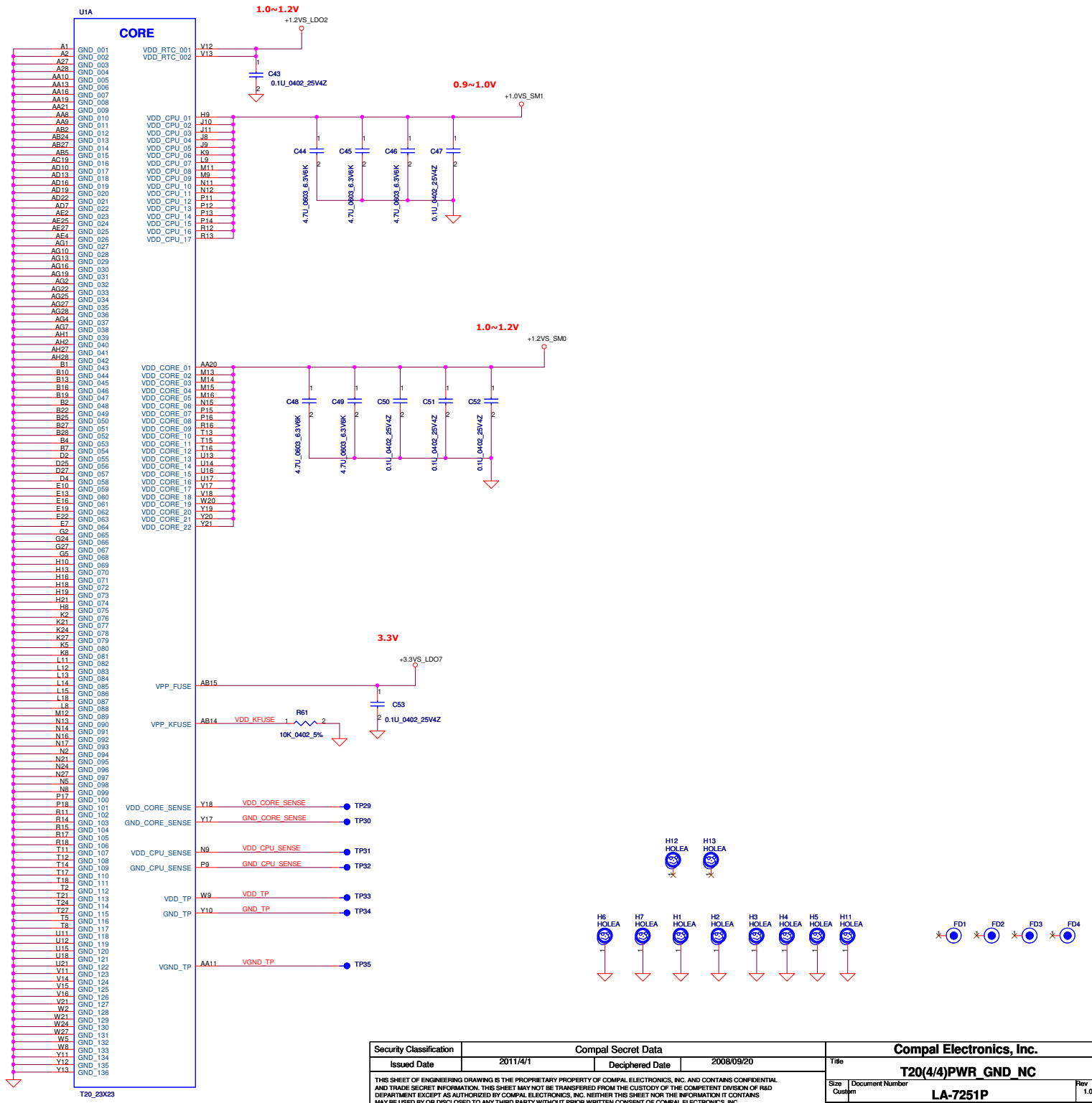


07/23 check here

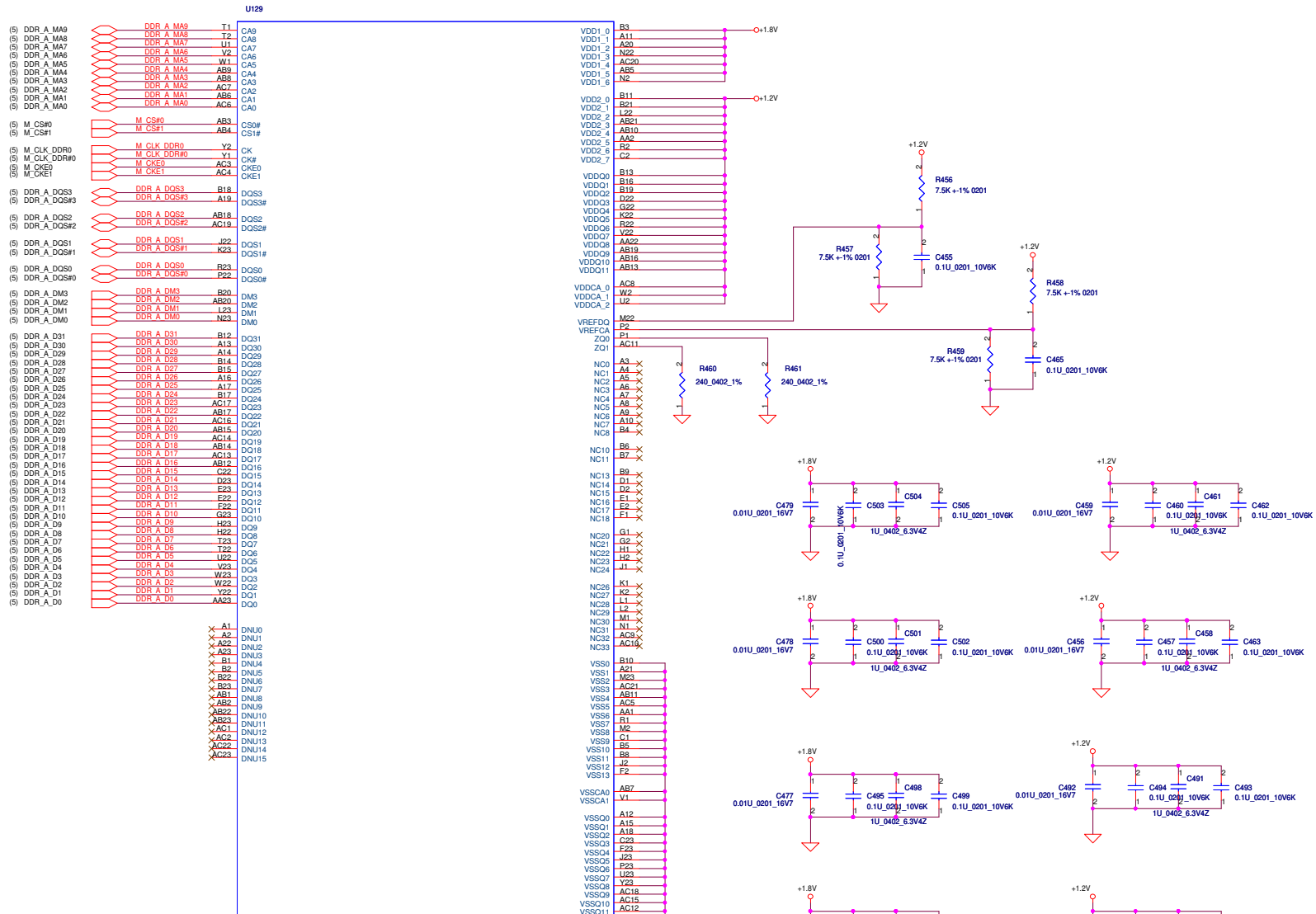
Name	Active
EC_RESUME	High
AP_ONKEY#	Low

Name	Active
EC_LOW_BAT#	Low
LOW_BAT#	Low





Security Classification		Compal Secret Data		Compal Electronics, Inc.	
Issued Date	2011/4/1	Deciphered Date	2008/09/20	Title	T20(4/4)PWR_GND_NC
THIS SHEET OF ENGINEERING DRAWING IS THE PROPRIETARY PROPERTY OF COMPAL ELECTRONICS, INC. AND CONTAINS CONFIDENTIAL AND TRADE SECRET INFORMATION. THIS SHEET MAY NOT BE TRANSFERRED FROM THE CUSTODY OF THE COMPETENT DIVISION OF R&D DEPARTMENT EXCEPT AS AUTHORIZED BY COMPAL ELECTRONICS, INC. NEITHER THIS SHEET NOR THE INFORMATION IT CONTAINS MAY BE USED BY OR DISCLOSED TO ANY THIRD PARTY WITHOUT PRIOR WRITTEN CONSENT OF COMPAL ELECTRONICS, INC.				Size	Document Number
				Custom	LA-7251P
				Date:	Tuesday, April 12, 2011
				Sheet	7 of 34



U129 Hyn 512MB@
SA00004JD10 (512MB Hynix)

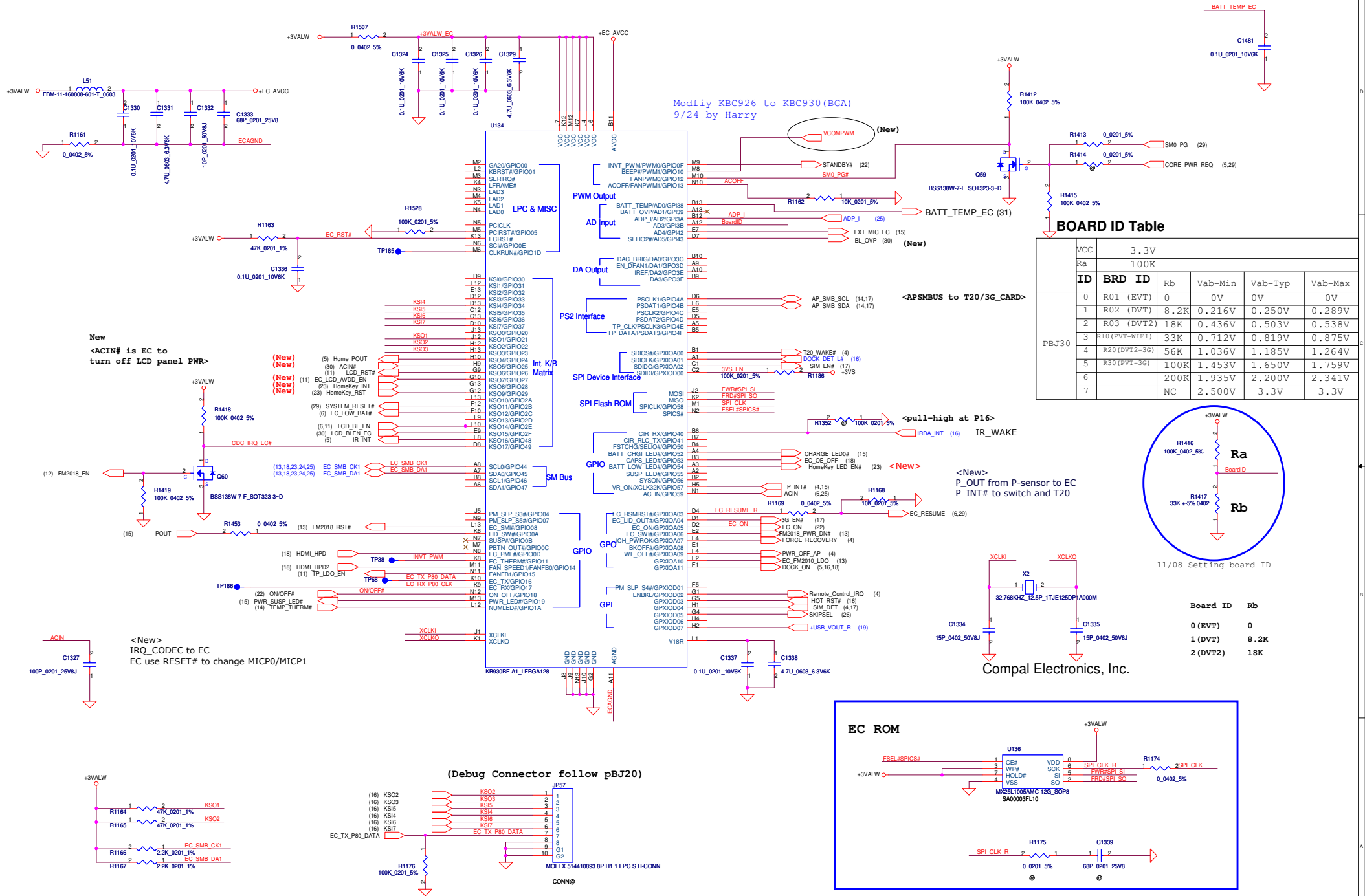
U129 Elp 1G@
SA000048Q20 (1G Elpida)

U129 Hyn 1G@
SA00004MJ00 (1G Hynix)

MT46H64M32L2IG-5T-A_FBGAI68

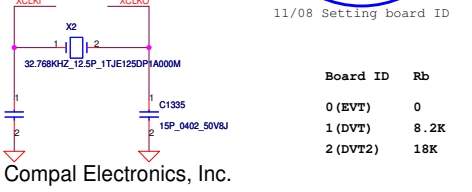
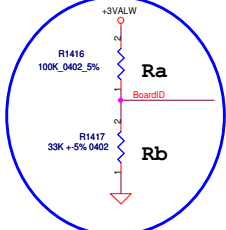
Elp 512MB@

Security Classification	Compal Secret Data		Compal Electronics, Inc.	
Issued Date	2011/4/1	Deciphered Date	2008/09/20	Title
THIS SHEET OF ENGINEERING DRAWING IS THE PROPRIETARY PROPERTY OF COMPAL ELECTRONICS, INC. AND CONTAINS CONFIDENTIAL AND TRADE SECRET INFORMATION. THIS SHEET MAY NOT BE TRANSFERRED FROM THE CUSTODY OF THE COMPETENT DIVISION OF R&D DEPARTMENT EXCEPT AS AUTHORIZED BY COMPAL ELECTRONICS, INC. NEITHER THIS SHEET NOR THE INFORMATION IT CONTAINS MAY BE USED BY OR DISCLOSED TO ANY THIRD PARTY WITHOUT PRIOR WRITTEN CONSENT OF COMPAL ELECTRONICS, INC.				DDR-II-DEVICE DOWN(1/2)
Size	Document Number	LA-7251P		Rev
C				1.0
Date:	Tuesday, April 12, 2011	Sheet	8	of 34

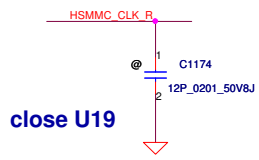
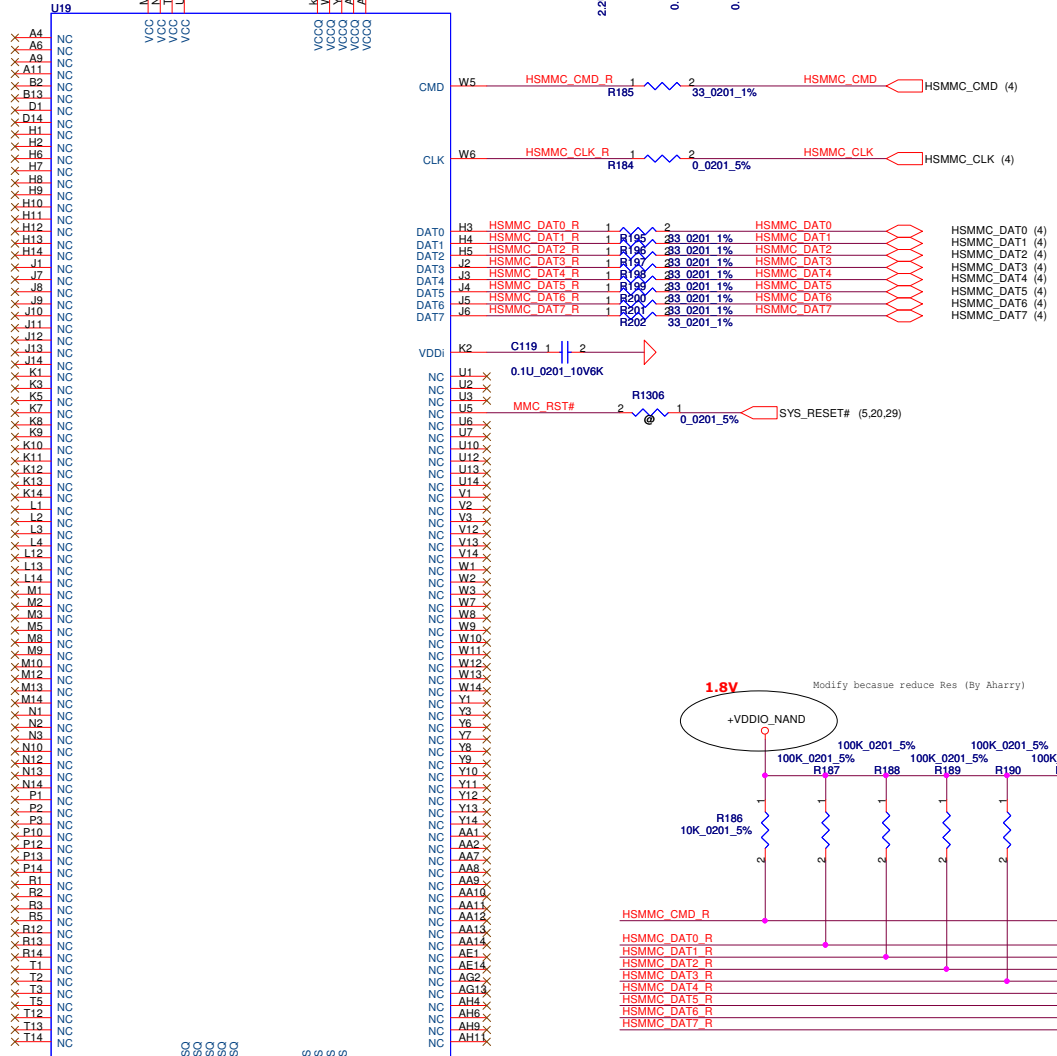
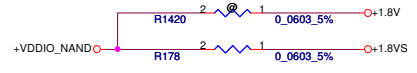
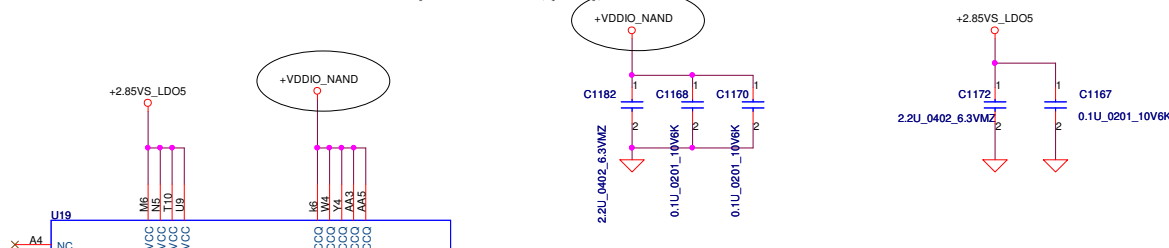


BOARD ID Table

VCC		3.3V				
Ra		100K				
ID	BRD ID	Rb	Vab-Min	Vab-Typ	Vab-Max	
0	R01 (EVT)	0	0V	0V	0V	
1	R02 (DVT)	8.2K	0.216V	0.250V	0.289V	
2	R03 (DVT2)	18K	0.436V	0.503V	0.538V	
3	R10 (PVT-WIFI)	33K	0.712V	0.819V	0.875V	
4	R20 (DVT-3G)	56K	1.036V	1.185V	1.264V	
5	R30 (PVT-3G)	100K	1.453V	1.650V	1.759V	
6		200K	1.935V	2.200V	2.341V	
7		NC	2.500V	3.3V	3.3V	

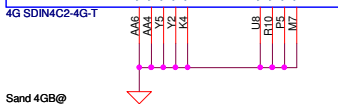
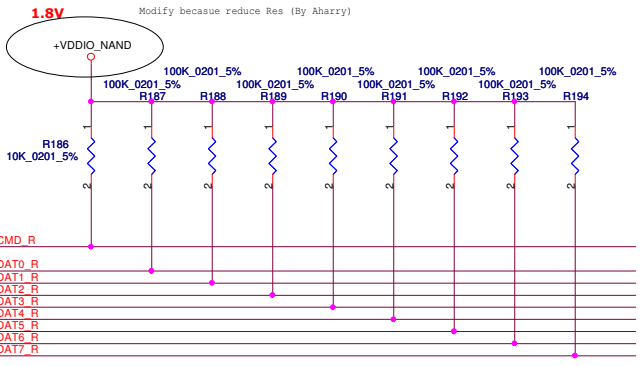


Modify because reduce Res (By Aharry)



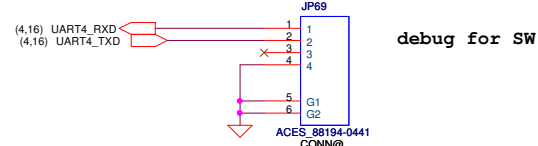
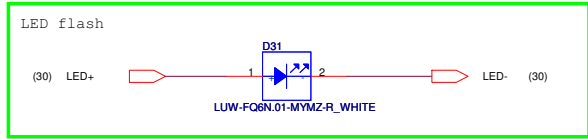
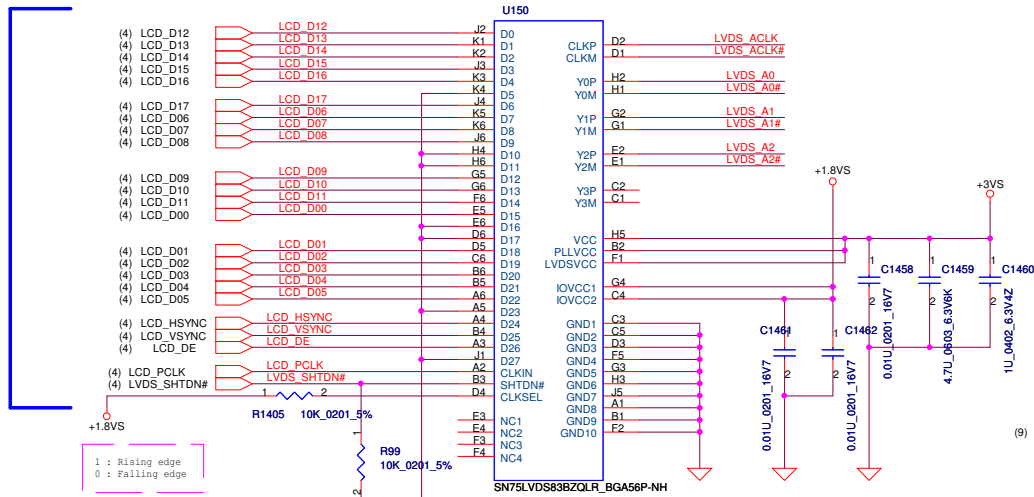
close U19

- U19 Kingston 16GB@ SA00004O610
- U19 Kingston 8GB@ SA00004OQ10
- U19 Sand 16GB@ SA00003YE30
- U19 Sand 8GB@ SA00004FL10 (8GB Sandisk)
- U19 Sand 8GB@ SA00004FL10 (8GB Sandisk)
- U19 Sams 8GB@ SA00004FP10 (8GB Samsung)



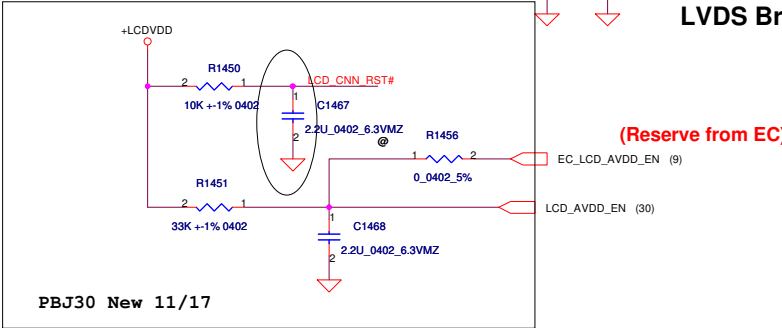
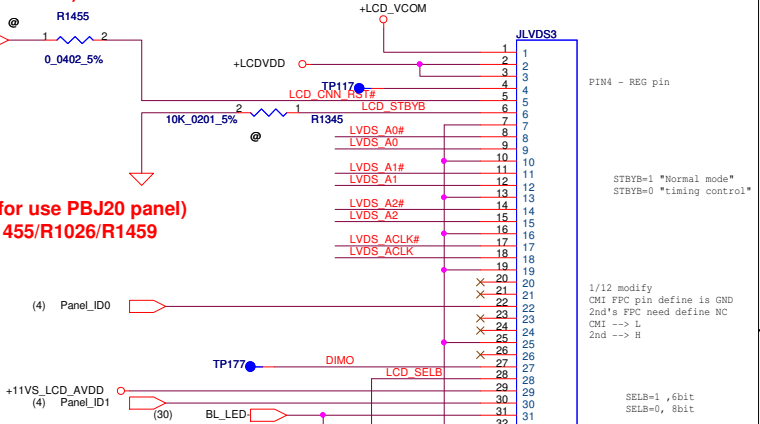
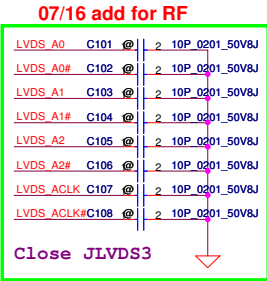
Security Classification	Compal Secret Data			Compal Electronics, Inc.	
Issued Date	2011/4/1	Deciphered Date	2008/09/20	Title EMMC	
THIS SHEET OF ENGINEERING DRAWING IS THE PROPRIETARY PROPERTY OF COMPAL ELECTRONICS, INC. AND CONTAINS CONFIDENTIAL AND TRADE SECRET INFORMATION. THIS SHEET MAY NOT BE TRANSFERRED FROM THE CUSTODY OF THE COMPETENT DIVISION OF R&D DEPARTMENT EXCEPT AS AUTHORIZED BY COMPAL ELECTRONICS, INC. NEITHER THIS SHEET NOR THE INFORMATION IT CONTAINS MAY BE USED BY OR DISCLOSED TO ANY THIRD PARTY WITHOUT PRIOR WRITTEN CONSENT OF COMPAL ELECTRONICS, INC.				Size Custom	Document Number LA-7251P
				Date: Tuesday, April 12, 2011	Rev 1.0
				Sheet 10	of 34

1.8V level



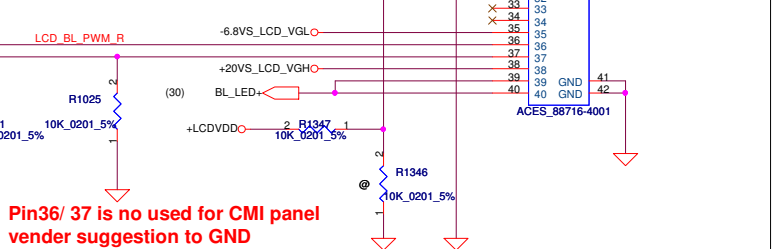
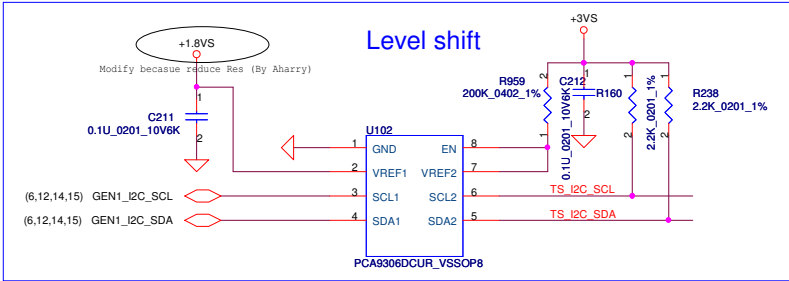
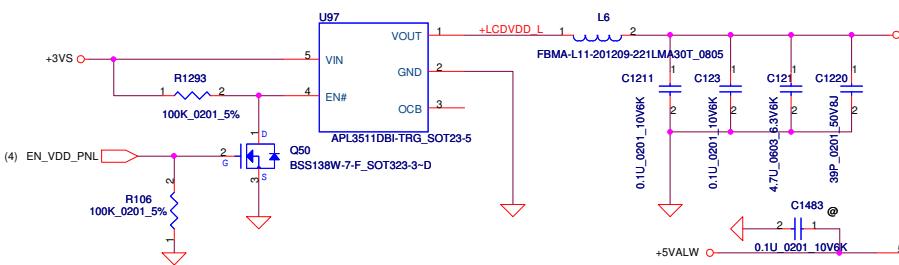
(Reserve from EC)

(Reserve for use PBJ20 panel)
R1345/ R1455/R1026/R1459

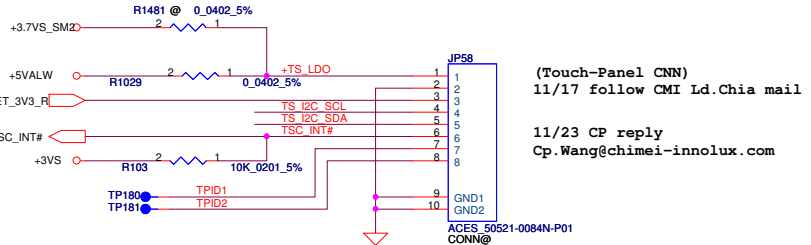


PBJ30 New 11/17

LCD POWER CIRCUIT



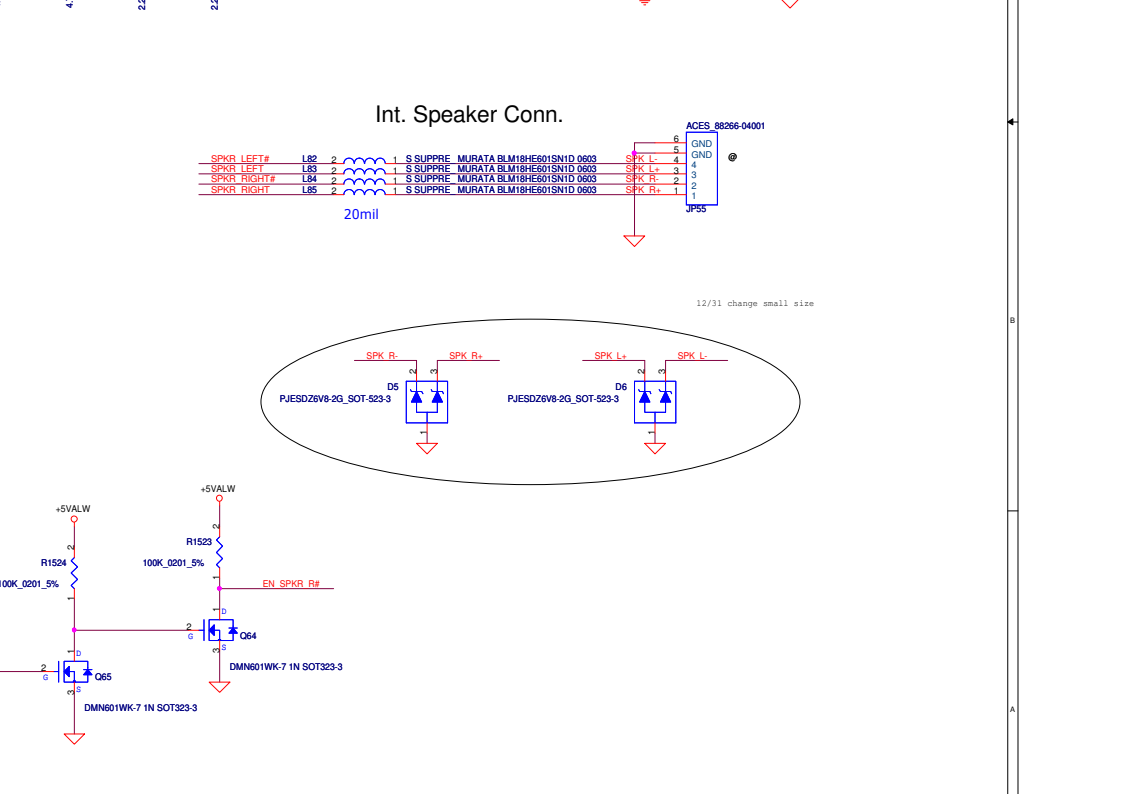
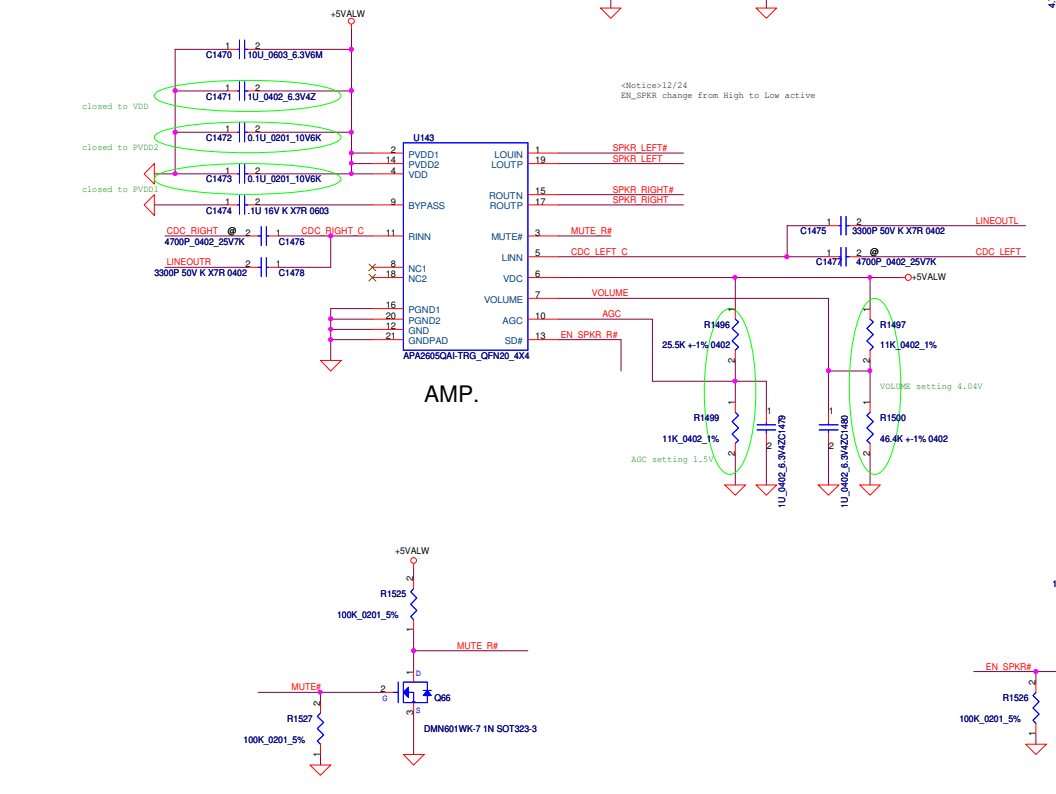
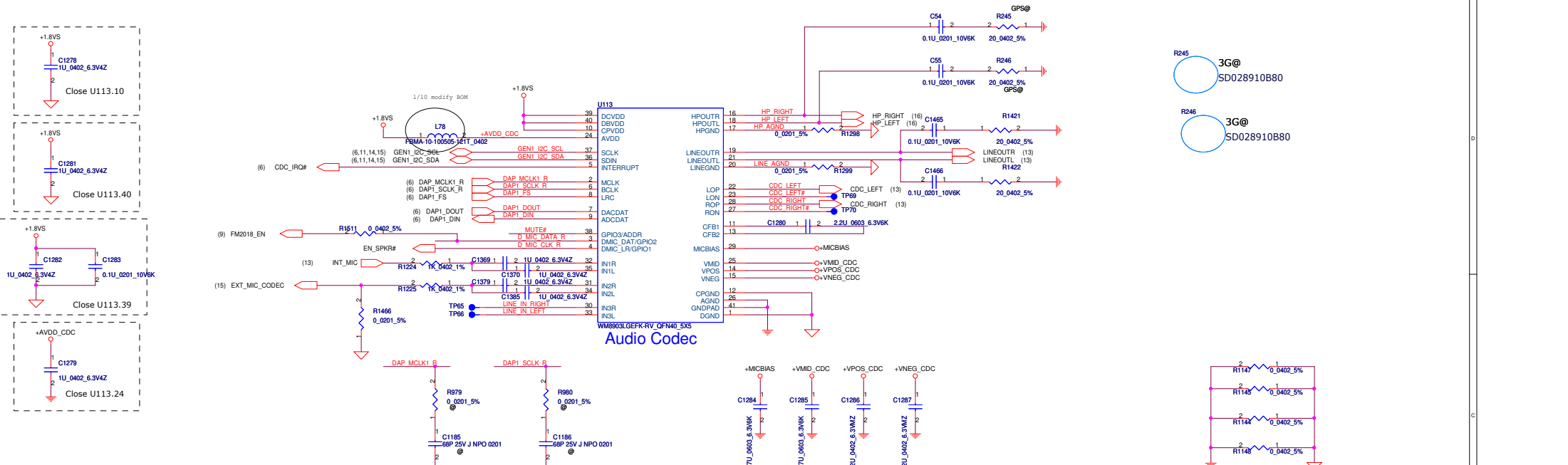
Pin36/ 37 is no used for CMI panel
vender suggestion to GND



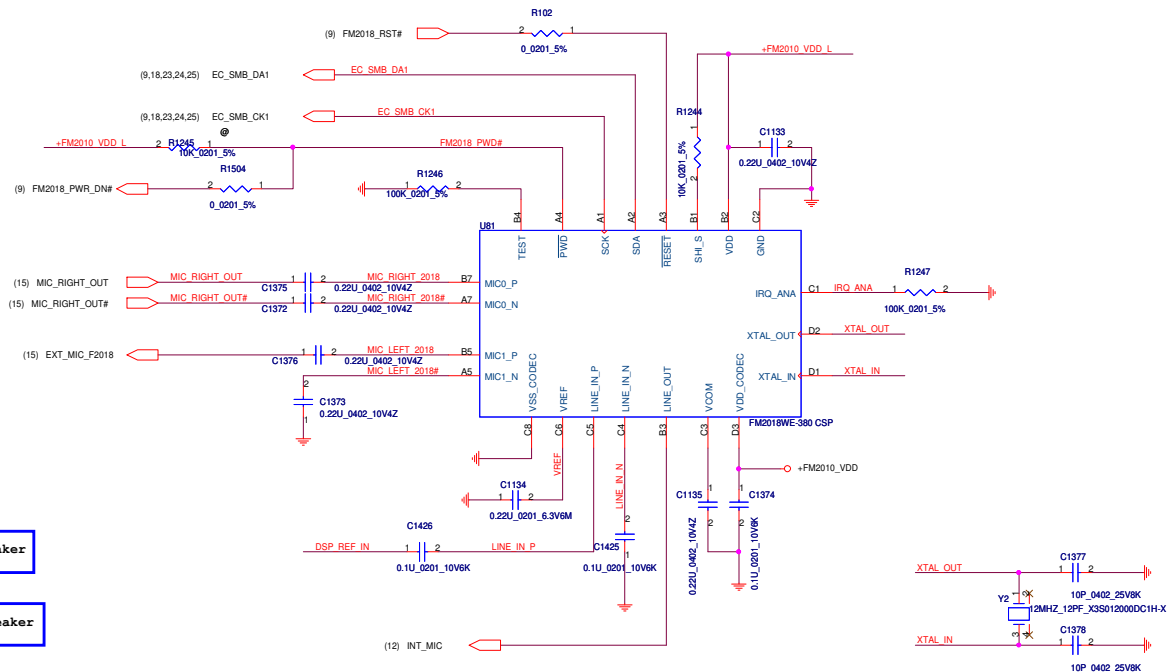
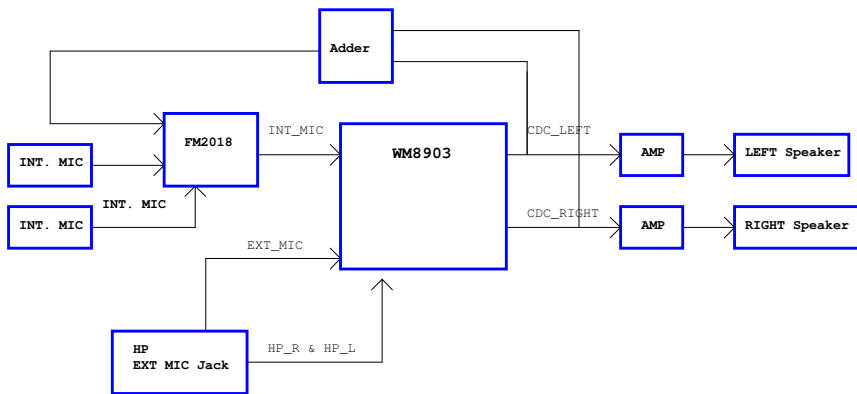
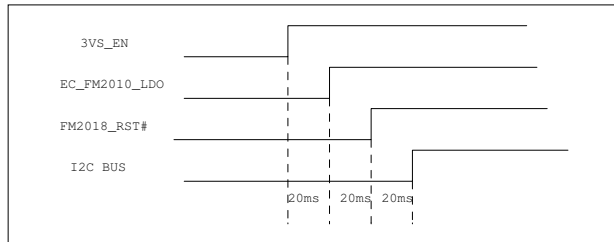
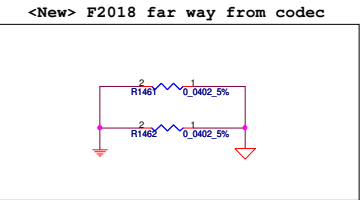
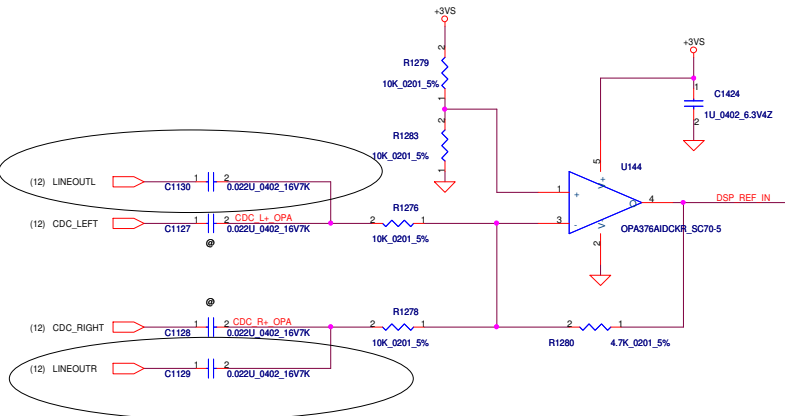
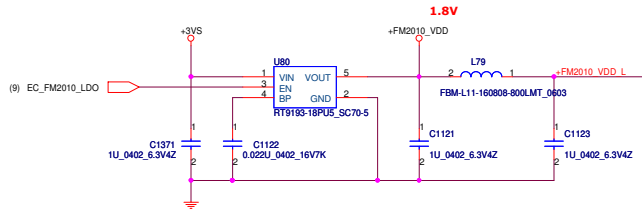
(Touch-Panel CNN)
11/17 follow CMI Id.Chia mail

11/23 CP reply
Cp.Wang@chimei-innolux.com

Security Classification				Compal Secret Data				Title									
Issued Date				2011/4/1				Deciphered Date				2008/09/20					
THIS SHEET OF ENGINEERING DRAWING IS THE PROPRIETARY PROPERTY OF COMPAL ELECTRONICS, INC. AND CONTAINS CONFIDENTIAL AND TRADE SECRET INFORMATION. THIS SHEET MAY NOT BE TRANSFERRED FROM THE CUSTODY OF THE COMPETENT DIVISION OF R&D DEPARTMENT EXCEPT AS AUTHORIZED BY COMPAL ELECTRONICS, INC. NEITHER THIS SHEET NOR THE INFORMATION IT CONTAINS MAY BE USED BY OR DISCLOSED TO ANY THIRD PARTY WITHOUT PRIOR WRITTEN CONSENT OF COMPAL ELECTRONICS, INC.												Size Custom		Document Number LA-7251P		Flw 1.0	
Date: Tuesday, April 12, 2011												Sheet 11 of 34					

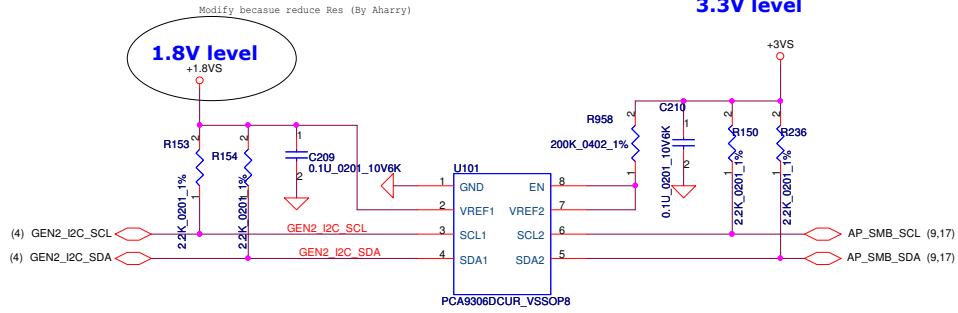


Security Classification	Compal Secret Data		Compal Electronics, Inc.	
Issued Date	2011/4/1	Deciphered Date	2008/09/20	Title
THIS SHEET OF ENGINEERING DRAWING IS THE PROPRIETARY PROPERTY OF COMPAL ELECTRONICS, INC. AND CONTAINS CONFIDENTIAL AND TRADE SECRET INFORMATION. THIS SHEET MAY NOT BE TRANSFERRED FROM THE CUSTODY OF THE COMPETENT DIVISION OF R&D DEPARTMENT EXCEPT AS AUTHORIZED BY COMPAL ELECTRONICS, INC. NEITHER THIS SHEET NOR THE INFORMATION IT CONTAINS MAY BE USED BY OR DISCLOSED TO ANY THIRD PARTY WITHOUT PRIOR WRITTEN CONSENT OF COMPAL ELECTRONICS, INC.				Audio Codec Size C Document Number LA-7251P Rev 1.0 Date: Thursday, April 21, 2011 Sheet 12 of 34



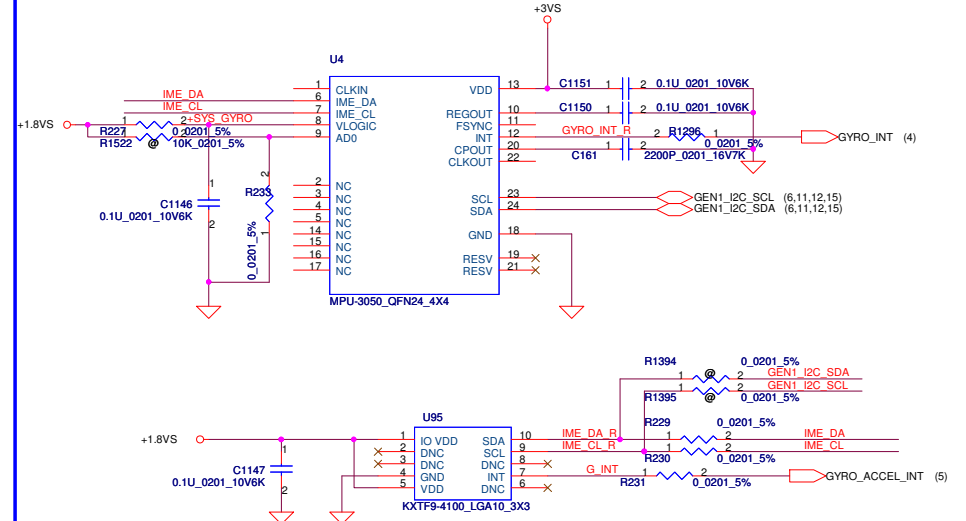
Security Classification	Compal Secret Data		Compal Electronics, Inc.	
Issued Date	2011/4/1	Deciphered Date	2008/09/20	Title
THIS SHEET OF ENGINEERING DRAWING IS THE PROPRIETARY PROPERTY OF COMPAL ELECTRONICS, INC. AND CONTAINS CONFIDENTIAL AND TRADE SECRET INFORMATION. THIS SHEET MAY NOT BE TRANSFERRED FROM THE CUSTODY OF THE COMPETENT DIVISION OF R&D DEPARTMENT EXCEPT AS AUTHORIZED BY COMPAL ELECTRONICS, INC. NEITHER THIS SHEET NOR THE INFORMATION IT CONTAINS MAY BE USED BY OR DISCLOSED TO ANY THIRD PARTY WITHOUT PRIOR WRITTEN CONSENT OF COMPAL ELECTRONICS, INC.				FM2010 LA-7251P Rev 1.0
Date:	Tuesday, April 12, 2011	Sheet	13	of 34

Level shift

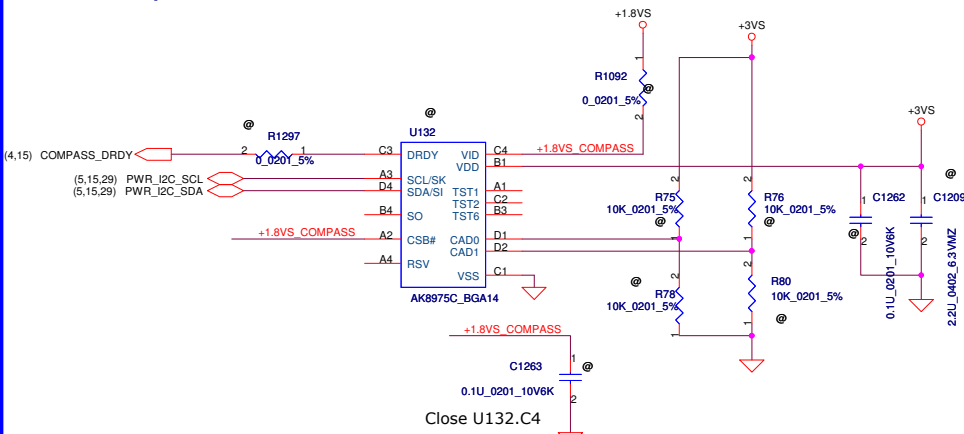


<APSMBUS to T20/3G_CARD>

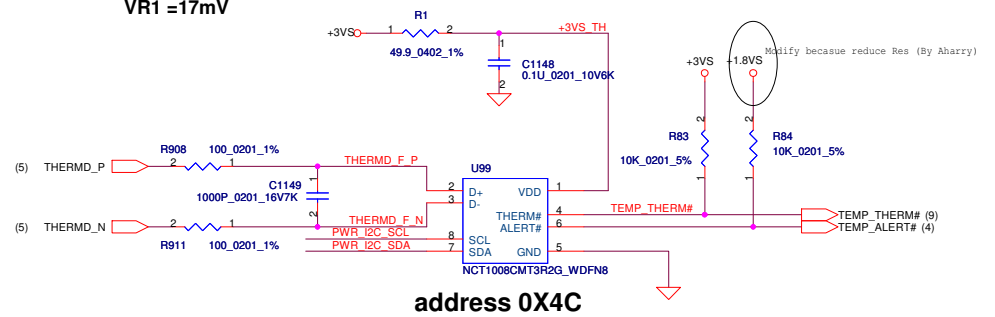
GYRO



Ecompass

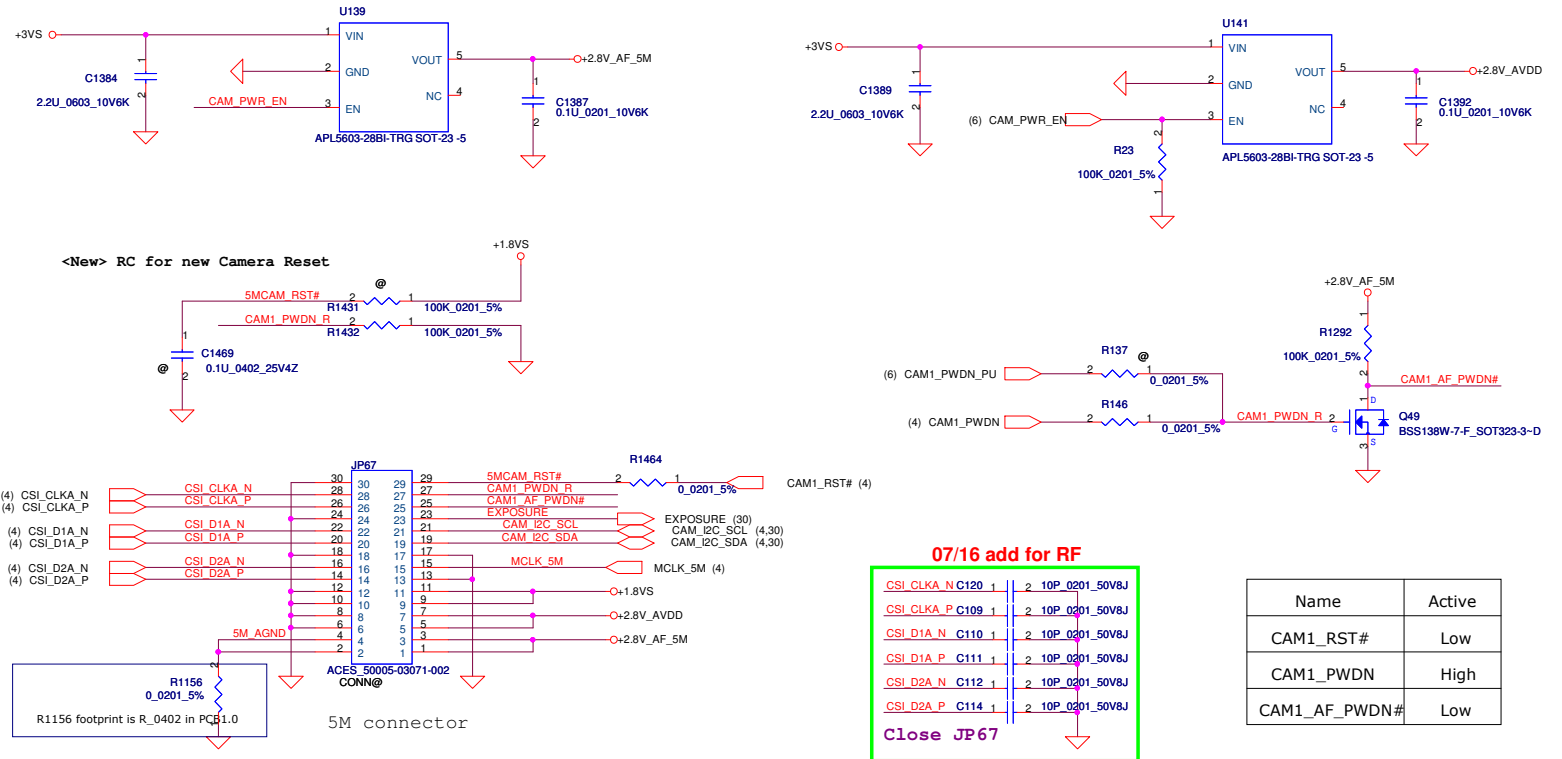


max current is 350uA
VR1 = 17mV



Security Classification	Compal Secret Data		Compal Electronics, Inc.	
Issued Date	2011/4/1	Deciphered Date	2008/09/20	Title
				G-Sensor/Thermal/GYRO
THIS SHEET OF ENGINEERING DRAWING IS THE PROPRIETARY PROPERTY OF COMPAL ELECTRONICS, INC. AND CONTAINS CONFIDENTIAL AND TRADE SECRET INFORMATION. THIS SHEET MAY NOT BE TRANSFERRED FROM THE CUSTODY OF THE COMPETENT DIVISION OF R&D DEPARTMENT EXCEPT AS AUTHORIZED BY COMPAL ELECTRONICS, INC. NEITHER THIS SHEET NOR THE INFORMATION IT CONTAINS MAY BE USED BY OR DISCLOSED TO ANY THIRD PARTY WITHOUT PRIOR WRITTEN CONSENT OF COMPAL ELECTRONICS, INC.				Size Custom
				Document Number LA-7251P
				Rev 1.0
				Date: Tuesday, April 12, 2011 Sheet 14 of 34

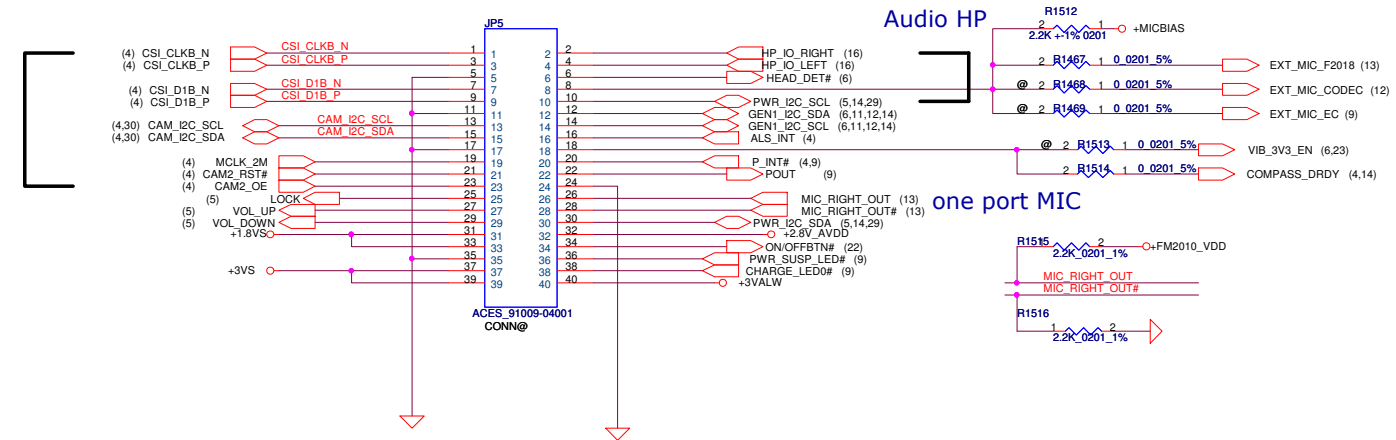
5M Camera



Name	Active
CAM1_RST#	Low
CAM1_PWDN	High
CAM1_AF_PWDN#	Low

To I/O Board

2M Camera



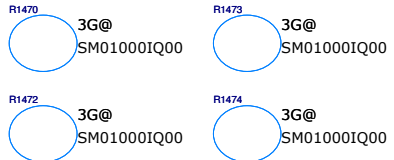
Security Classification	Compal Secret Data		Title		Compal Electronics, Inc.	
Issued Date	2011/4/1	Deciphered Date	2008/09/20	5M Camera/ IO board CONN.		
THIS SHEET OF ENGINEERING DRAWING IS THE PROPRIETARY PROPERTY OF COMPAL ELECTRONICS, INC. AND CONTAINS CONFIDENTIAL AND TRADE SECRET INFORMATION. THIS SHEET MAY NOT BE TRANSFERRED FROM THE CUSTODY OF THE COMPETENT DIVISION OF R&D DEPARTMENT EXCEPT AS AUTHORIZED BY COMPAL ELECTRONICS, INC. NEITHER THIS SHEET NOR THE INFORMATION IT CONTAINS MAY BE USED BY OR DISCLOSED TO ANY THIRD PARTY WITHOUT PRIOR WRITTEN CONSENT OF COMPAL ELECTRONICS, INC.				Size	Document Number	Rev
				Custom	LA-7251P	1.0
				Date:	Thursday, April 21, 2011	Sheet 15 of 34

Docking

<New>From T20
 L => Dock_HP
 H => MB (Default)

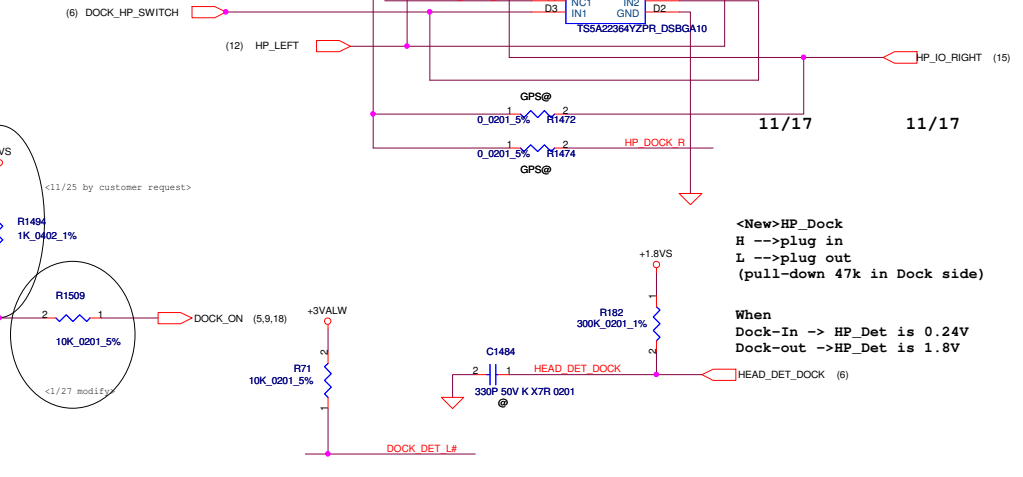
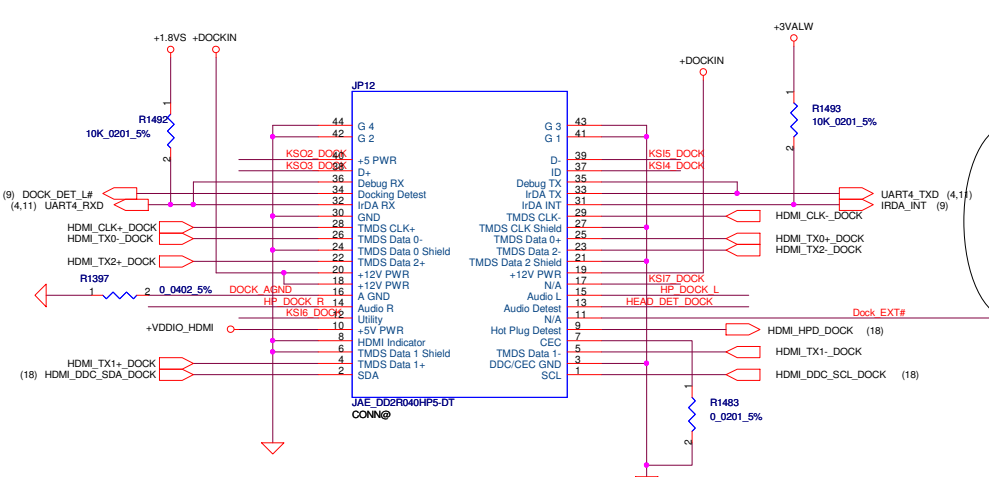
From T20 (SDIO/3V)

POR status =PD



IN = H , NO to COM
 IN = L , NC to COM

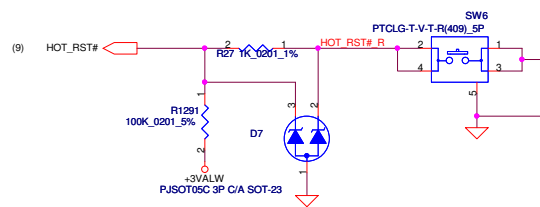
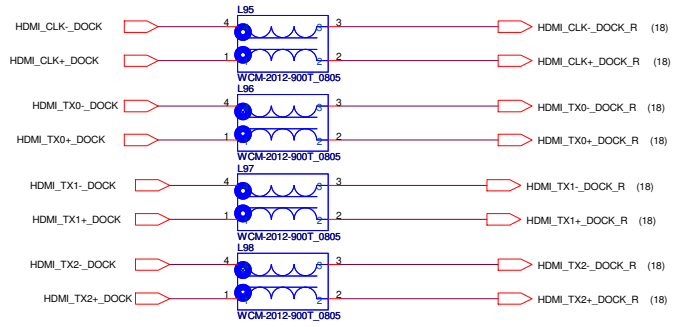
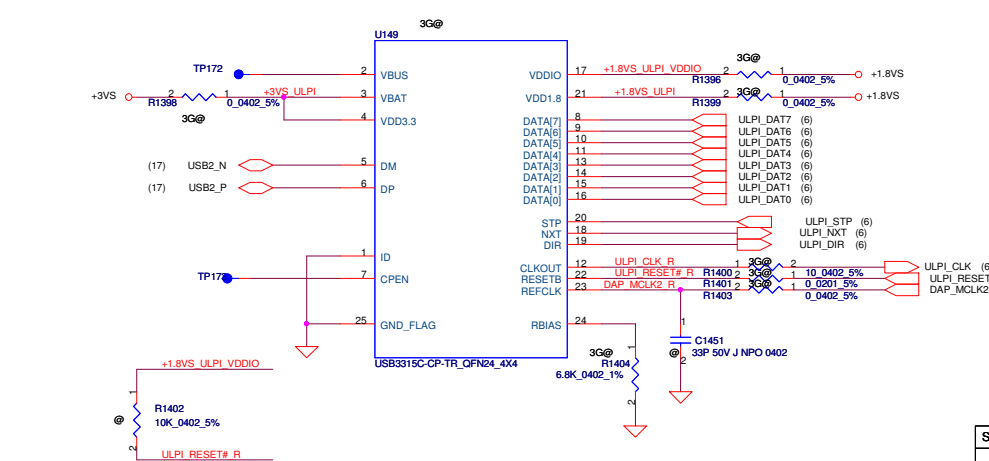
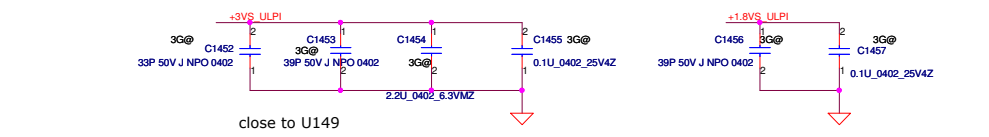
- (9) K502
- (9) K503
- (9) K515
- (9) K514
- (9) K516
- (9) K517



<New>HP_Dock
 H -->plug in
 L -->plug out
 (pull-down 47k in Dock side)

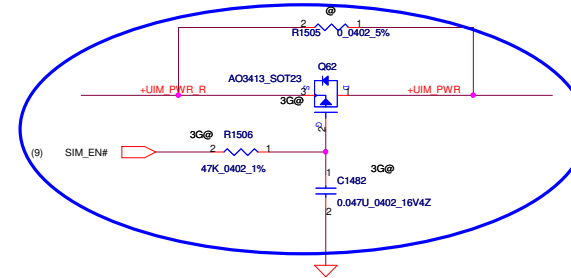
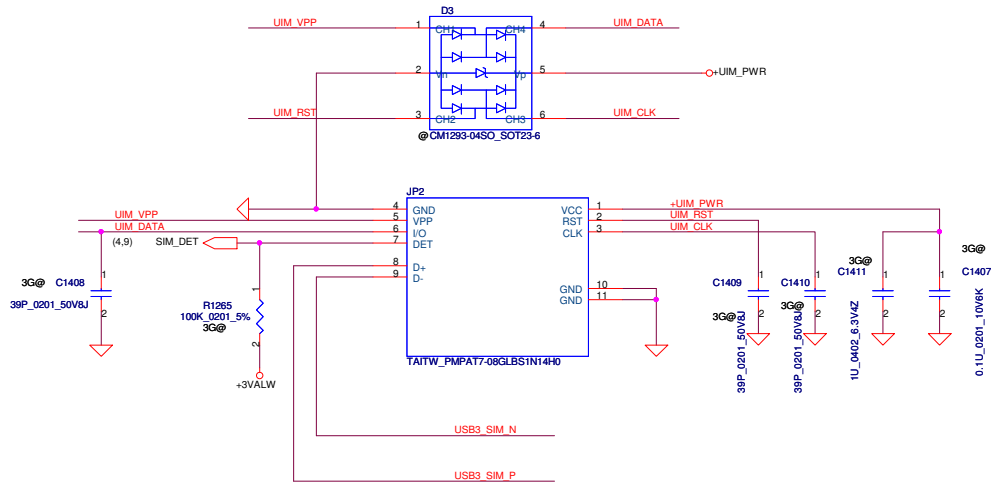
When
 Dock-In -> HP_Det is 0.24V
 Dock-out ->HP_Det is 1.8V

ULPI

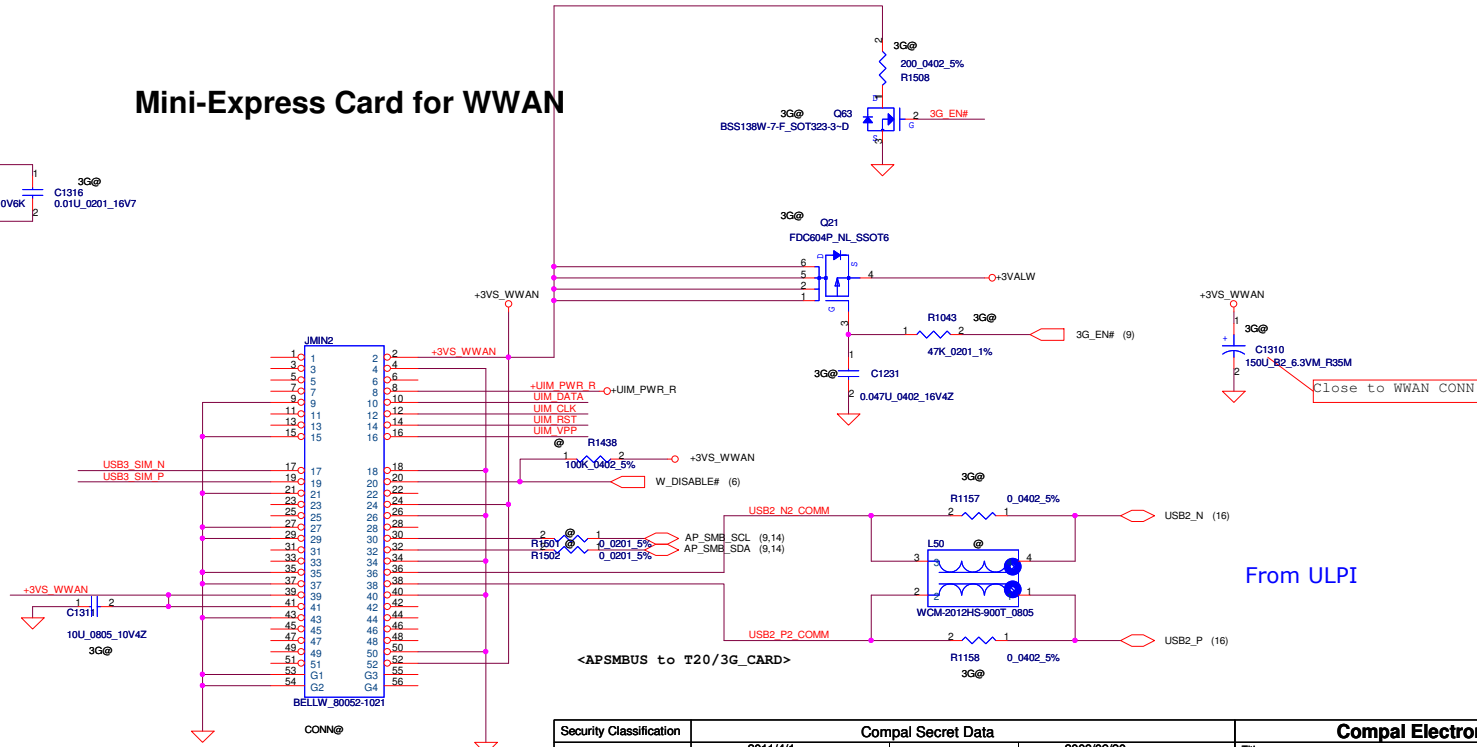
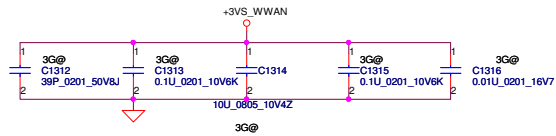


Security Classification	Compal Secret Data		Compal Electronics, Inc.		
Issued Date	2011/4/1	Deciphered Date	2008/09/20	Title	
THIS SHEET OF ENGINEERING DRAWING IS THE PROPRIETARY PROPERTY OF COMPAL ELECTRONICS, INC. AND CONTAINS CONFIDENTIAL AND TRADE SECRET INFORMATION. THIS SHEET MAY NOT BE TRANSFERRED FROM THE CUSTODY OF THE COMPETENT DIVISION OF R&D DEPARTMENT EXCEPT AS AUTHORIZED BY COMPAL ELECTRONICS, INC. NEITHER THIS SHEET NOR THE INFORMATION IT CONTAINS MAY BE USED BY OR DISCLOSED TO ANY THIRD PARTY WITHOUT PRIOR WRITTEN CONSENT OF COMPAL ELECTRONICS, INC.				Document Number	Rev
				LA-7251P	1.0
Date: Tuesday, April 12, 2011		Sheet		16 of 34	

SIM CARD

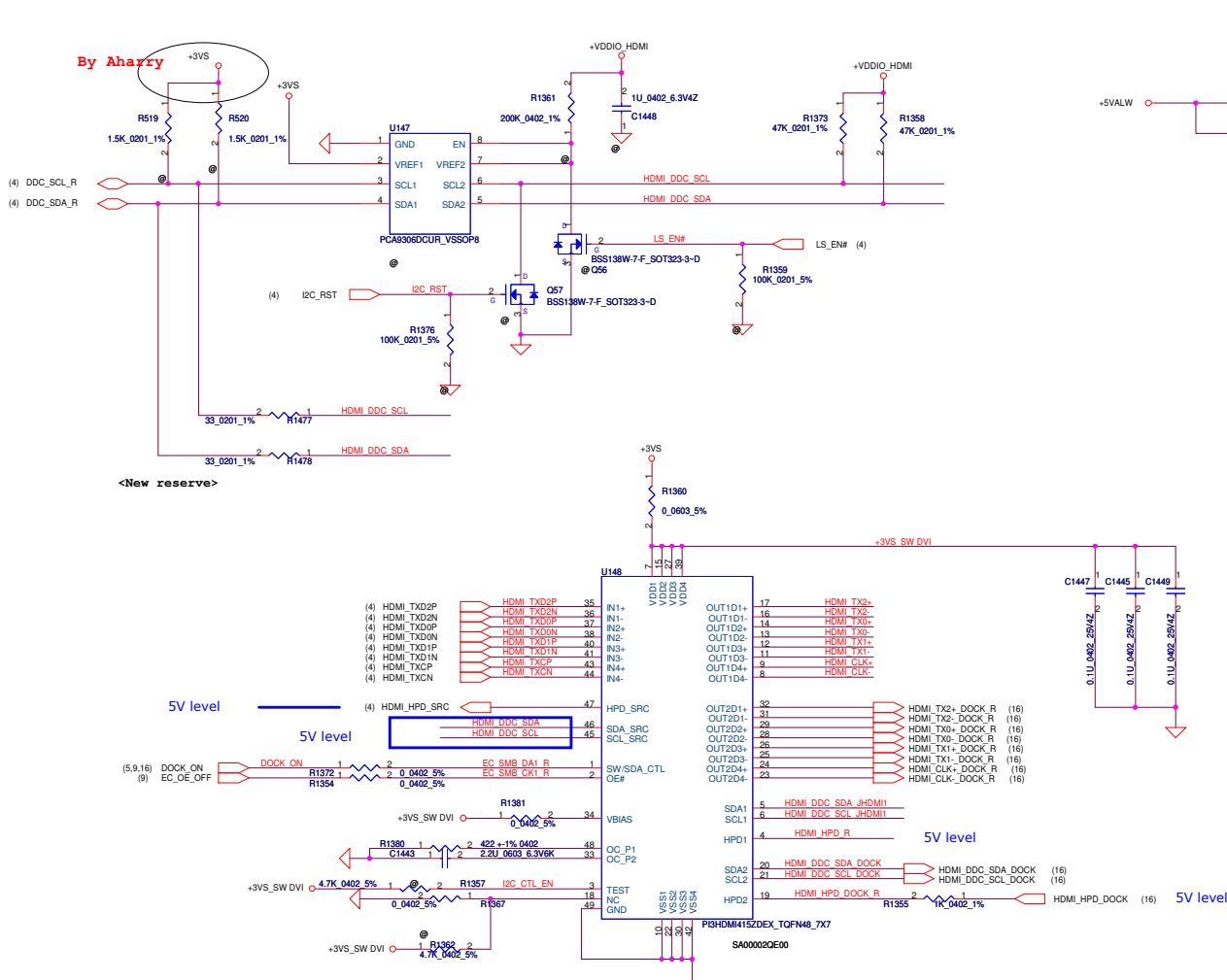


Mini-Express Card for WWAN



Security Classification		Compal Secret Data		Compal Electronics, Inc.	
Issued Date	2011/4/1	Deciphered Date	2008/09/20	Title	
THIS SHEET OF ENGINEERING DRAWING IS THE PROPRIETARY PROPERTY OF COMPAL ELECTRONICS, INC. AND CONTAINS CONFIDENTIAL AND TRADE SECRET INFORMATION. THIS SHEET MAY NOT BE TRANSFERRED FROM THE CUSTODY OF THE COMPETENT DIVISION OF R&D DEPARTMENT EXCEPT AS AUTHORIZED BY COMPAL ELECTRONICS, INC. NEITHER THIS SHEET NOR THE INFORMATION IT CONTAINS MAY BE USED BY OR DISCLOSED TO ANY THIRD PARTY WITHOUT PRIOR WRITTEN CONSENT OF COMPAL ELECTRONICS, INC.				3G card	
Size	Document Number	Rev		1.0	
Custom	LA-7251P	Date		Thursday, April 28, 2011	
				Sheet	17 of 34

HDMI CEC Controller



SA00002QE00 is PS8122QFN48G
HPD1 and HPD2 internal pull low 120K

Pin1 SW	Port 1	Port 2
0	Enable	Z
1	Z	Enable

PS8122 I2C control mode use

From EC

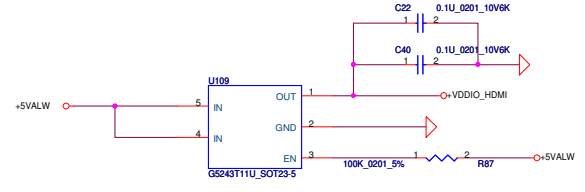
3.3V level

EC_SMB_CK1, EC_SMB_DA1, EC_SMB_CK1_R, EC_SMB_DA1_R

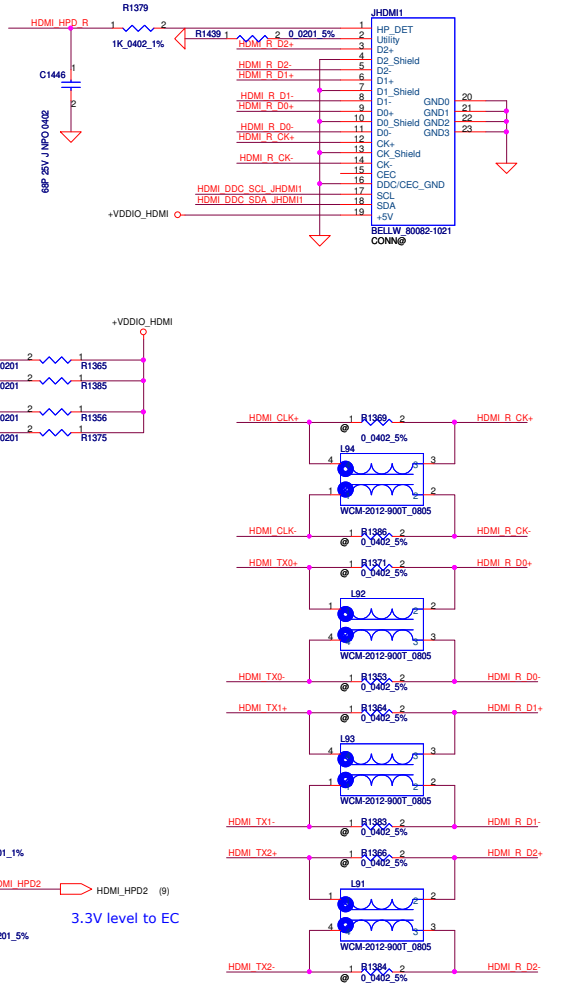
PS8122 I2C Device Address Setting:
I2C_ADDR=LOW, 9E/9F (default)
I2C_ADDR=HIGH, BE/BF

Pin compare with 415 & 8122

Pin Number	415	8122
1	SW	SW/SDA_CTL
2	OE#	OE#/SDA_CTL
3	Test	I2C_CTL_EN
18	NC	MODE/I2C_ADDR
33	OC_P2	CEXT
48	OC_P1	REXT



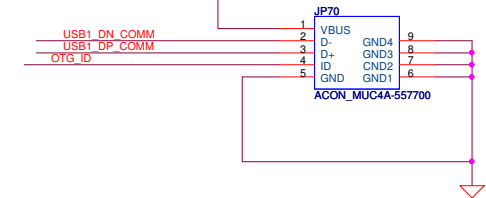
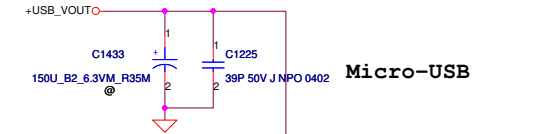
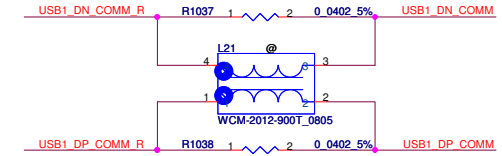
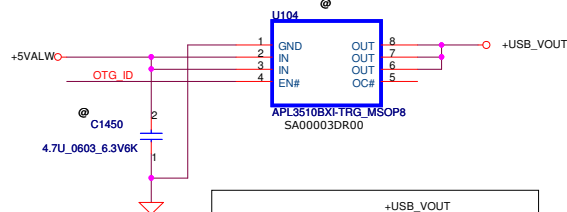
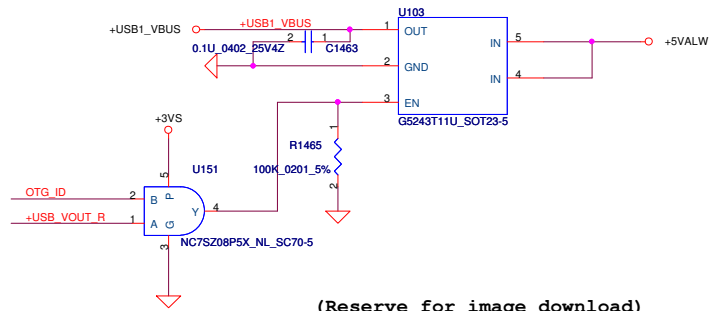
HDMI Type D Connector



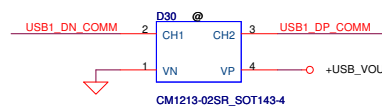
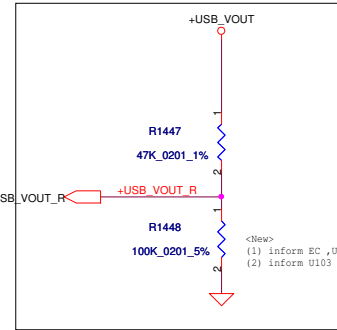
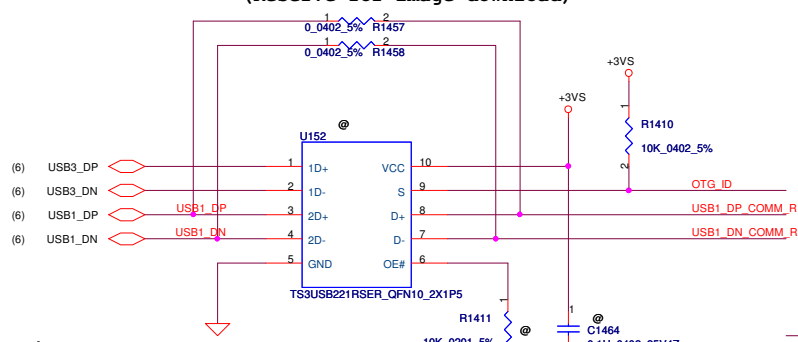
Security Classification	Compal Secret Data		Title	HDMI
Issued Date	2011/4/1	Deciphered Date		
THIS SHEET OF ENGINEERING DRAWINGS IS THE PROPRIETARY PROPERTY OF COMPAL ELECTRONICS, INC. AND CONTAINS CONFIDENTIAL AND TRADE SECRET INFORMATION. THIS SHEET MAY NOT BE TRANSFERRED FROM THE CUSTODY OF THE COMPETENT DIVISION OF R&D DEPARTMENT EXCEPT AS AUTHORIZED BY COMPAL ELECTRONICS, INC. NEITHER THIS SHEET NOR THE INFORMATION IT CONTAINS MAY BE USED BY OR DISCLOSED TO ANY THIRD PARTY WITHOUT PRIOR WRITTEN CONSENT OF COMPAL ELECTRONICS, INC.				
Size C	Document Number	LA-7251P		Rev 1.0
Date:	Tuesday, April 12, 2011	Sheet	18	of 34

Micro USB

To T20 +USB1_VBUS



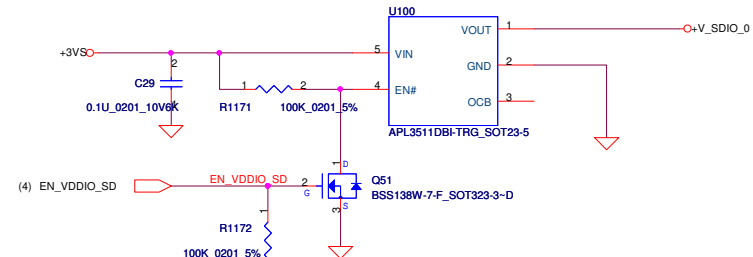
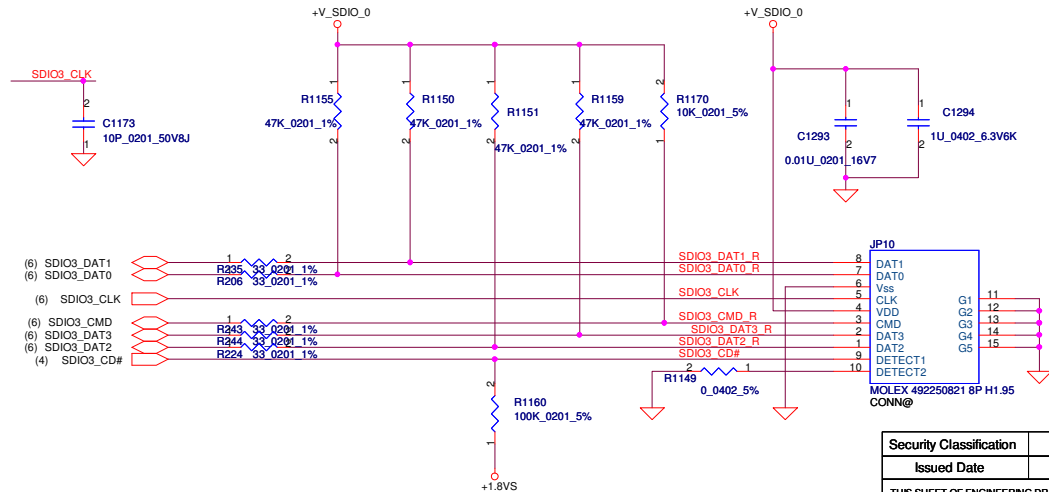
Host T20 Port3
Client T20 Port1



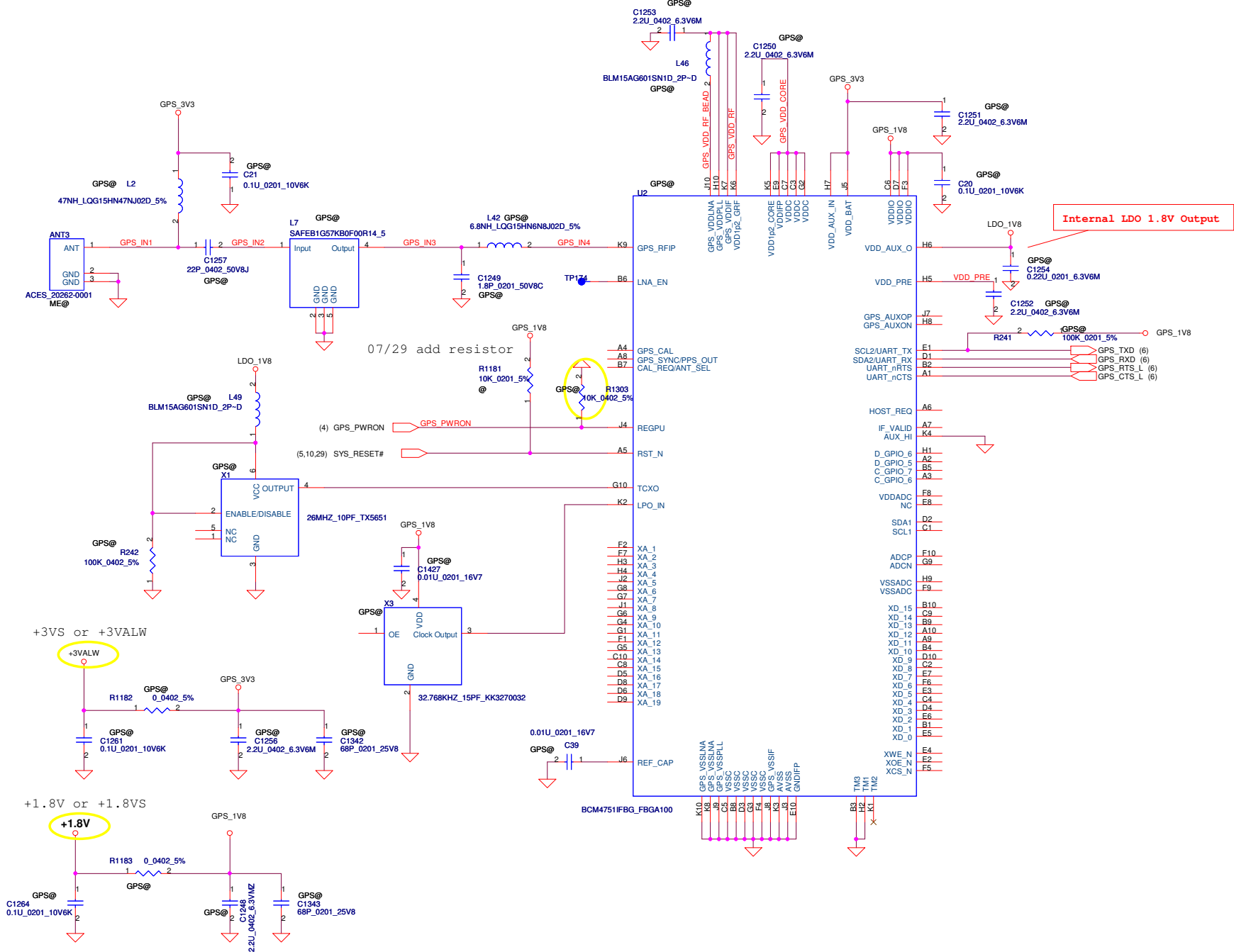
ID: Low -> T20 = Host
ID: Floating -> T20 = Client

S	OE#	Function
X	H	Disconnect (Low Power mode= 1uA)
L	L	D= 1D (30uA)
H	L	D= 2D (30uA)

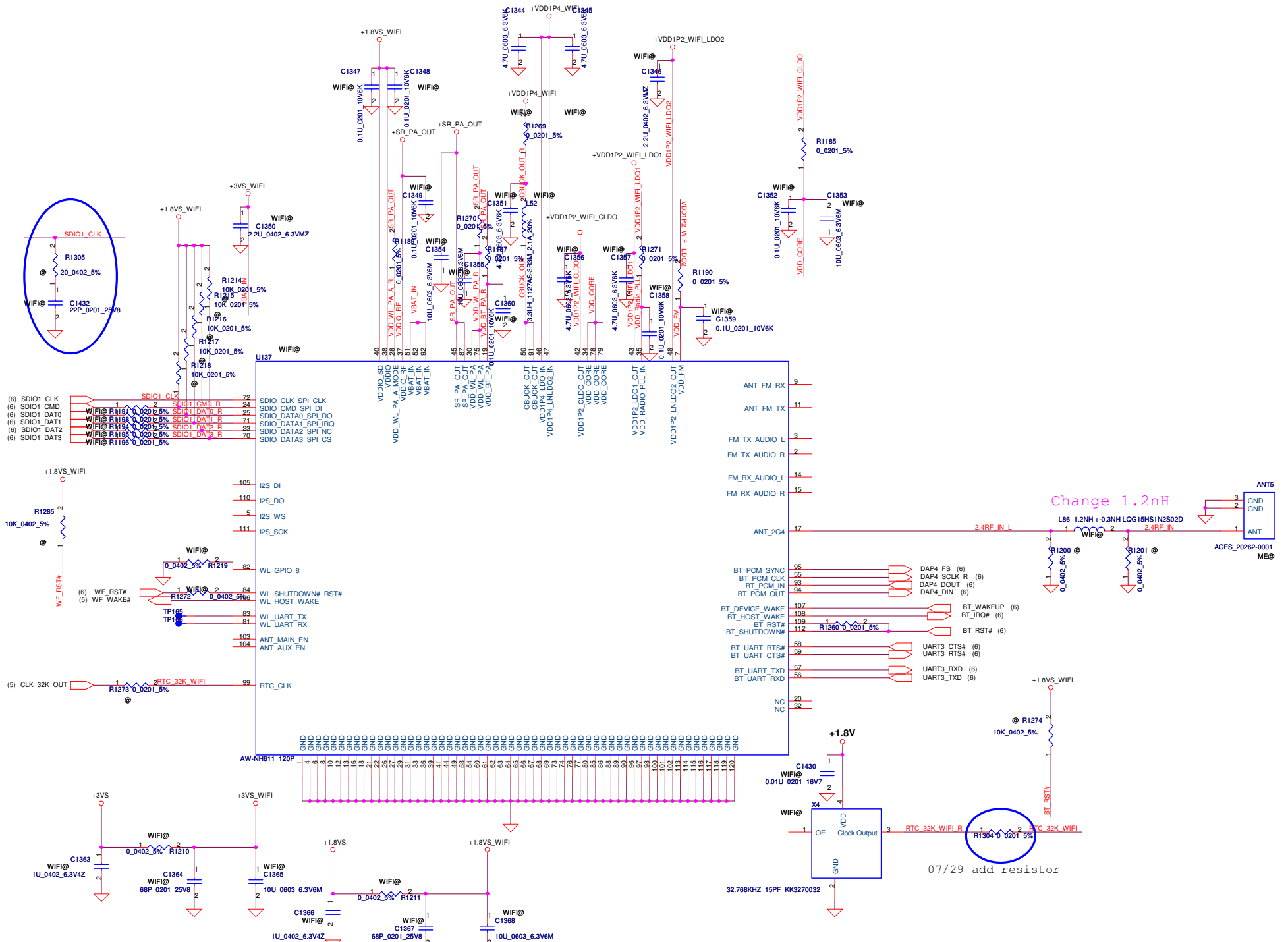
Micro SD



Security Classification		Compal Secret Data		Compal Electronics, Inc.	
Issued Date	2011/4/1	Deciphered Date	2008/09/20	Title	
THIS SHEET OF ENGINEERING DRAWING IS THE PROPRIETARY PROPERTY OF COMPAL ELECTRONICS, INC. AND CONTAINS CONFIDENTIAL AND TRADE SECRET INFORMATION. THIS SHEET MAY NOT BE TRANSFERRED FROM THE CUSTODY OF THE COMPETENT DIVISION OF R&D DEPARTMENT EXCEPT AS AUTHORIZED BY COMPAL ELECTRONICS, INC. NEITHER THIS SHEET NOR THE INFORMATION IT CONTAINS MAY BE USED BY OR DISCLOSED TO ANY THIRD PARTY WITHOUT PRIOR WRITTEN CONSENT OF COMPAL ELECTRONICS, INC.				Size	Custom
				Document Number	LA-7251P
				Date:	Tuesday, April 12, 2011
				Sheet	19 of 34
				Flw	1.0



Security Classification	Compal Secret Data			Compal Electronics, Inc.		
Issued Date	2011/4/1	Deciphered Date	2008/09/20	Title		
				GPS		
THIS SHEET OF ENGINEERING DRAWING IS THE PROPRIETARY PROPERTY OF COMPAL ELECTRONICS, INC. AND CONTAINS CONFIDENTIAL AND TRADE SECRET INFORMATION. THIS SHEET MAY NOT BE TRANSFERRED FROM THE CUSTODY OF THE COMPETENT DIVISION OF R&D DEPARTMENT EXCEPT AS AUTHORIZED BY COMPAL ELECTRONICS, INC. NEITHER THIS SHEET NOR THE INFORMATION IT CONTAINS MAY BE USED BY OR DISCLOSED TO ANY THIRD PARTY WITHOUT PRIOR WRITTEN CONSENT OF COMPAL ELECTRONICS, INC.				Size	Document Number	Rev
				Custom	LA-7251P	1.0
				Date:	Tuesday, April 12, 2011	Sheet 20 of 34



- (6) SDIO1_CLK
- (6) SDIO1_CMD
- (6) SDIO1_DAT0
- (6) SDIO1_DAT1
- (6) SDIO1_DAT2
- (6) SDIO1_DAT3

- (6) WF_RST#
- (5) WF_WAKE#
- (5) CLK_32K_OUT

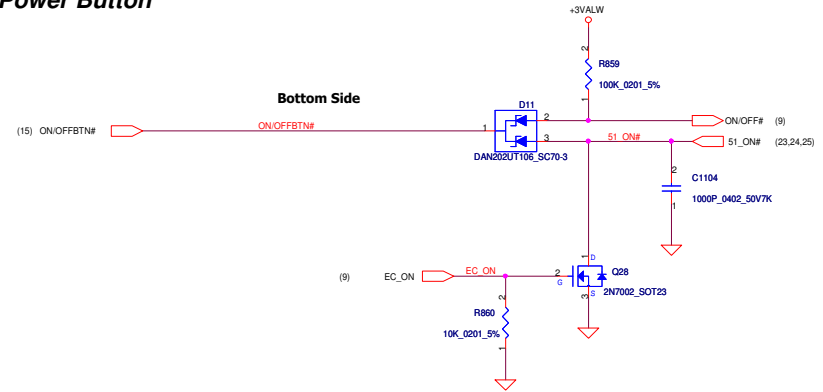
- (6) BT_PCM_SYNC
- (6) BT_PCM_CLK
- (6) BT_PCM_IN
- (6) BT_PCM_OUT
- (6) BT_DEVICE_WAKE
- (6) BT_HOST_WAKE
- (6) BT_RST#
- (6) BT_SHUTDOWN#
- (6) BT_UART_RTS#
- (6) BT_UART_CTS#
- (6) BT_UART_TXD
- (6) BT_UART_RXD

Change 1.2nH

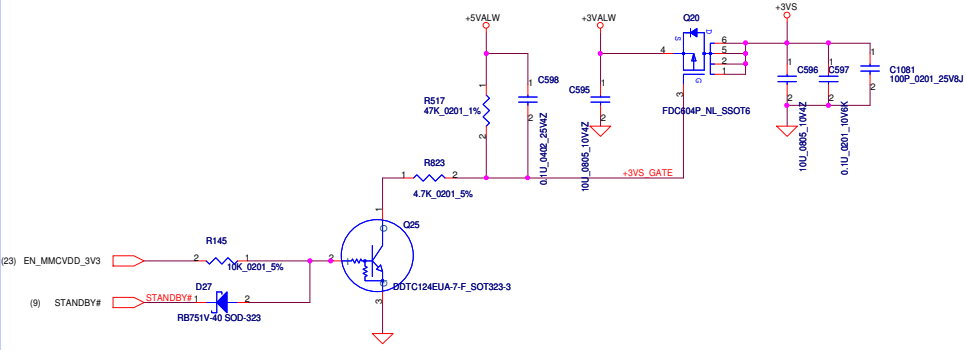
07/29 add resistor

Security Classification		Compal Secret Data		Compal Electronics, Inc.	
Issued Date	2011/4/1	Deciphered Date	2008/09/20	Title	WiFi/BT
THIS SHEET OF ENGINEERING DRAWING IS THE PROPRIETARY PROPERTY OF COMPAL ELECTRONICS, INC. AND CONTAINS CONFIDENTIAL AND TRADE SECRET INFORMATION. THIS SHEET MAY NOT BE TRANSFERRED FROM THE CUSTODY OF THE COMPETENT DIVISION OF R&D DEPARTMENT EXCEPT AS AUTHORIZED BY COMPAL ELECTRONICS, INC. NEITHER THIS SHEET NOR THE INFORMATION IT CONTAINS MAY BE USED BY OR DISCLOSED TO ANY THIRD PARTY WITHOUT PRIOR WRITTEN CONSENT OF COMPAL ELECTRONICS, INC.					
Size	Customer	Document Number	Rev	LA-7251P	
Date:	Tuesday, April 12, 2011	Sheet	21	of 34	

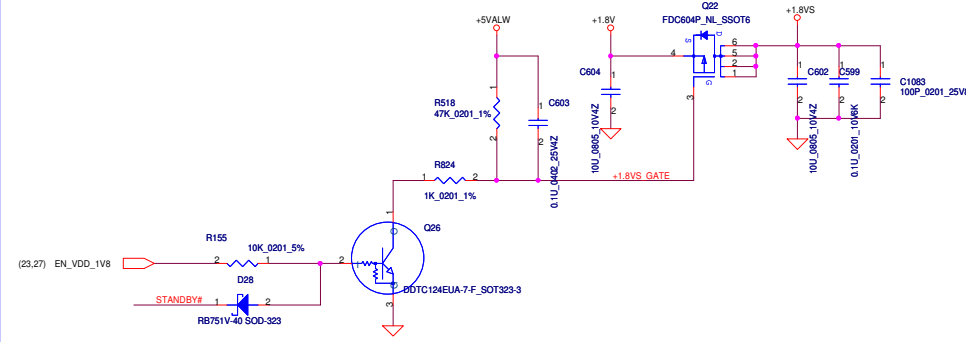
Power Button



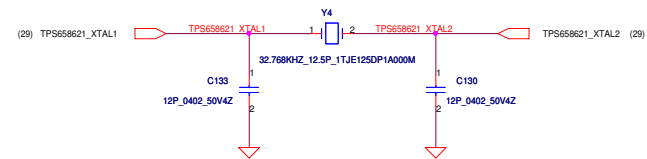
+3VALW to +3VS Transfer



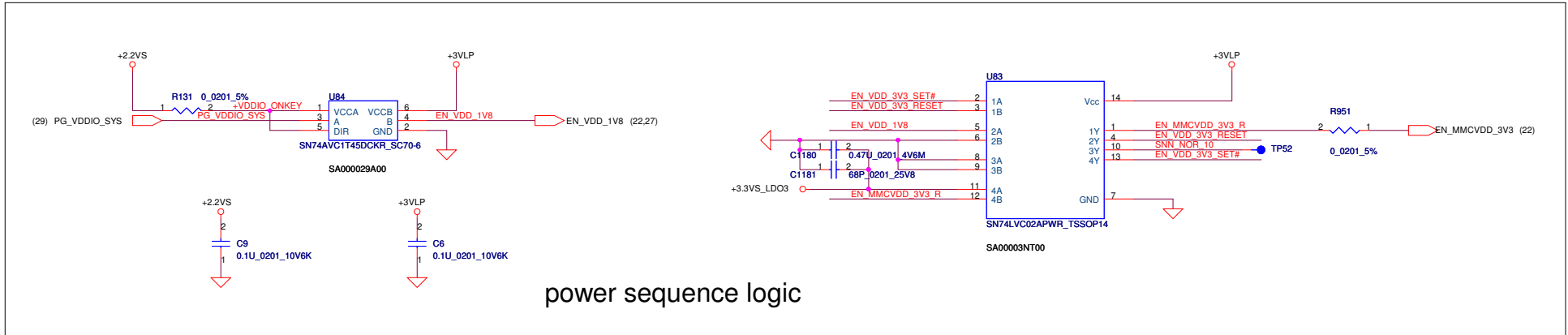
+1.8VS to +1.8VS_S3 Transfer



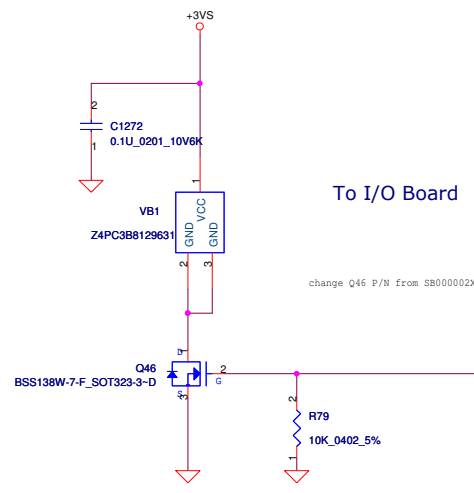
connect to PMU



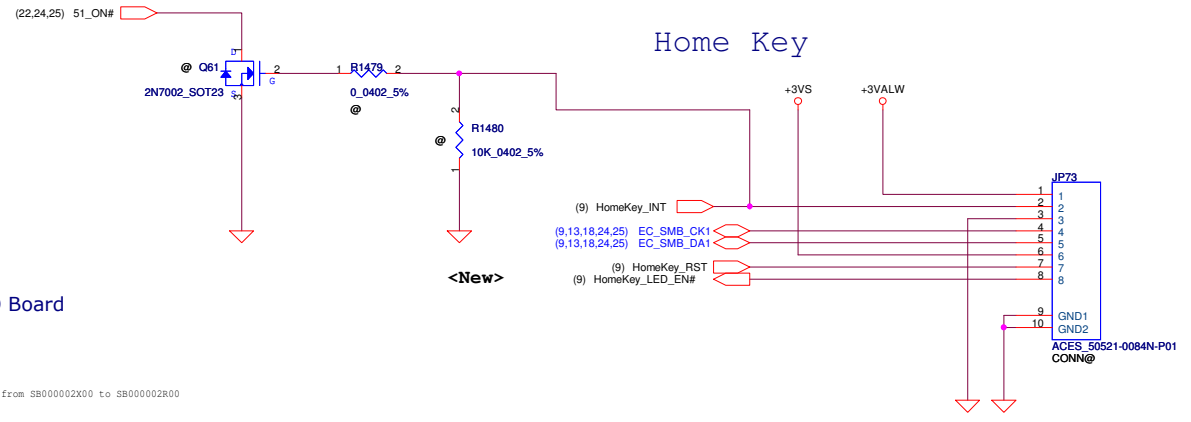
Security Classification	Compal Secret Data		Compal Electronics, Inc.	
Issued Date	2011/4/1	Deciphered Date	2008/09/20	Title
THIS SHEET OF ENGINEERING DRAWING IS THE PROPRIETARY PROPERTY OF COMPAL ELECTRONICS, INC. AND CONTAINS CONFIDENTIAL AND TRADE SECRET INFORMATION. THIS SHEET MAY NOT BE TRANSFERRED FROM THE CUSTODY OF THE COMPETENT DIVISION OF R&D DEPARTMENT EXCEPT AS AUTHORIZED BY COMPAL ELECTRONICS, INC. NEITHER THIS SHEET NOR THE INFORMATION IT CONTAINS MAY BE USED BY OR DISCLOSED TO ANY THIRD PARTY WITHOUT PRIOR WRITTEN CONSENT OF COMPAL ELECTRONICS, INC.				DC Interface/Power Button
Size	C	Document Number	LA-7251P	Rev
Date:	Tuesday, April 12, 2011	Sheet	22	of 34



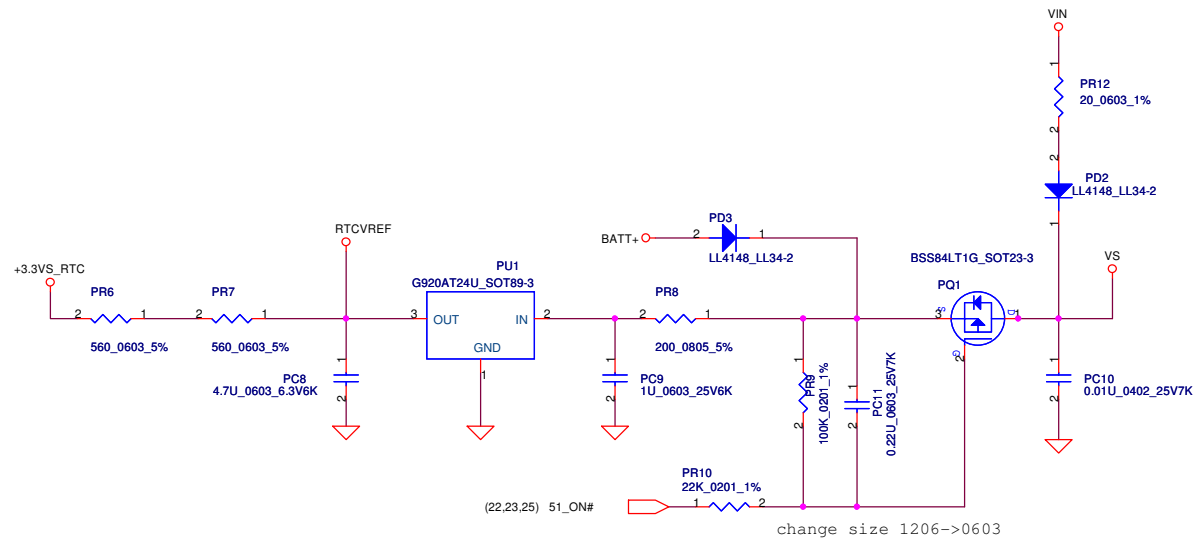
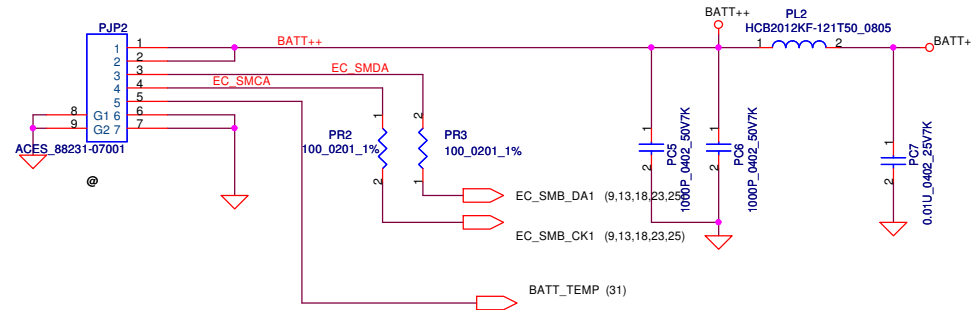
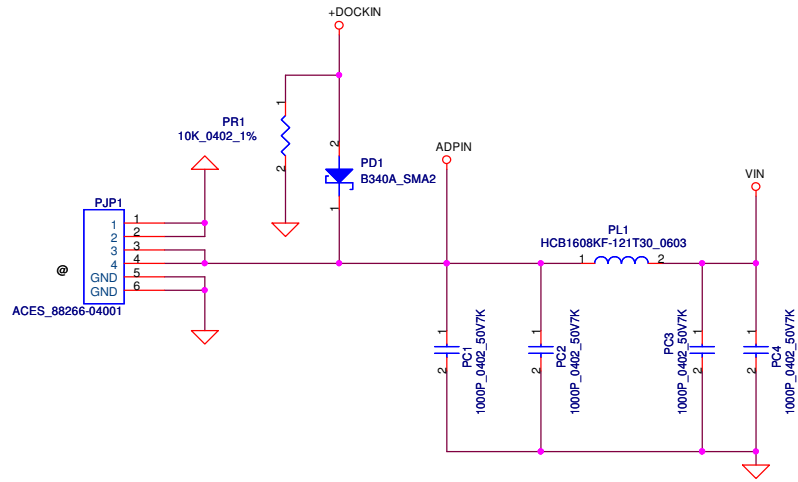
VIBRATOR



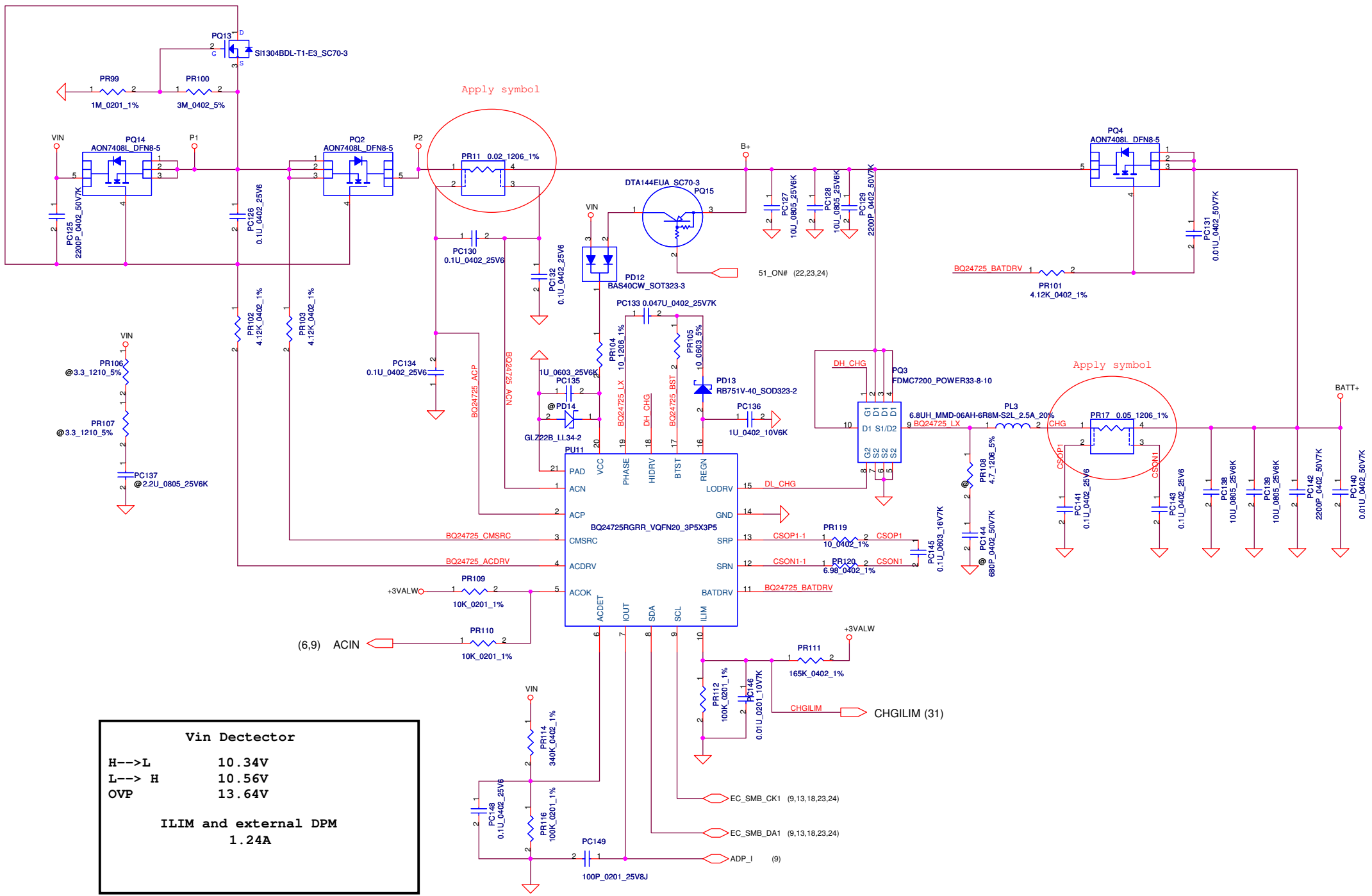
Home Key



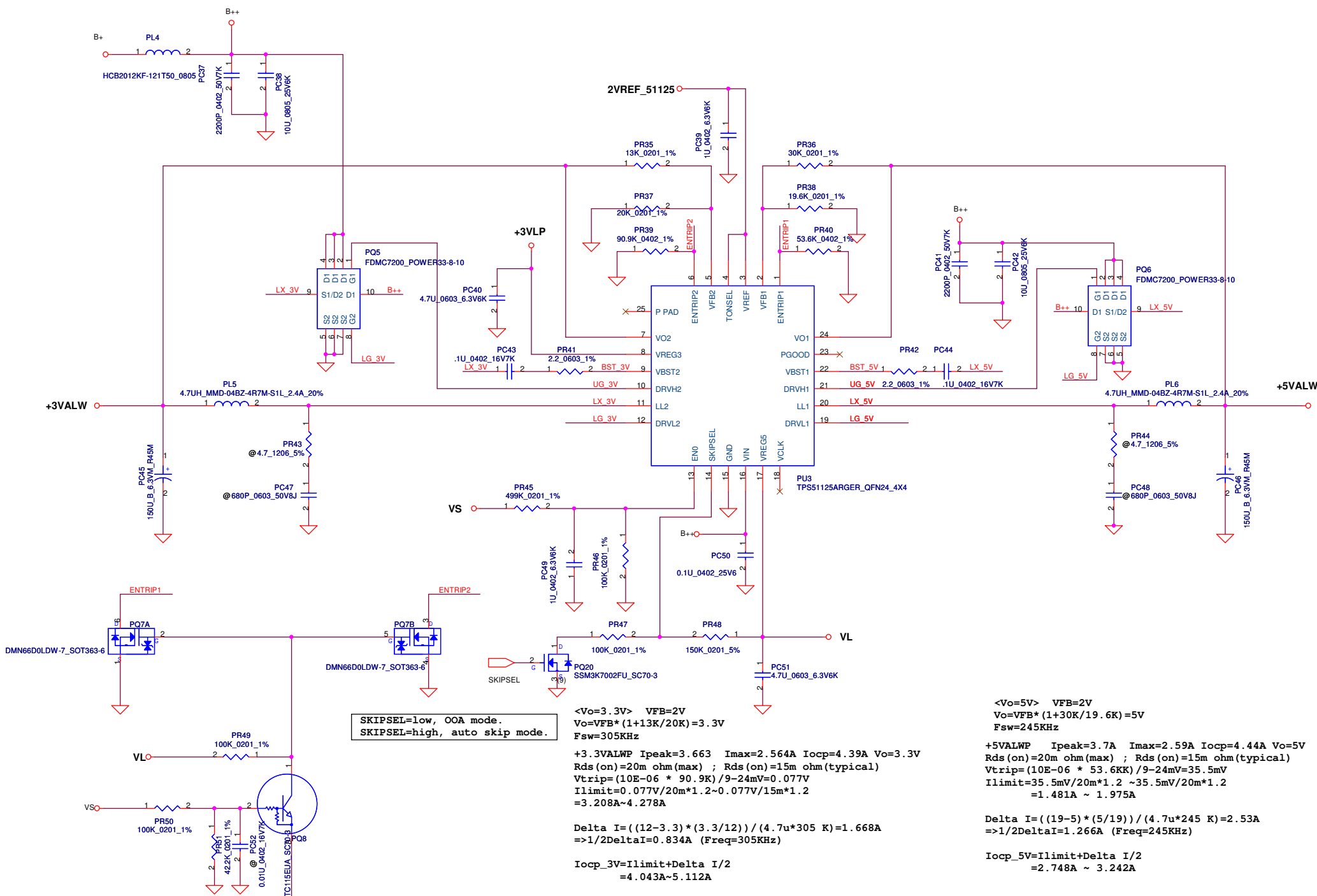
Security Classification	Compal Secret Data		Compal Electronics, Inc.	
Issued Date	2011/4/1	Deciphered Date	2008/09/20	Title
				Sequence/Vibrator/Home Key
THIS SHEET OF ENGINEERING DRAWING IS THE PROPRIETARY PROPERTY OF COMPAL ELECTRONICS, INC. AND CONTAINS CONFIDENTIAL AND TRADE SECRET INFORMATION. THIS SHEET MAY NOT BE TRANSFERRED FROM THE CUSTODY OF THE COMPETENT DIVISION OF R&D DEPARTMENT EXCEPT AS AUTHORIZED BY COMPAL ELECTRONICS, INC. NEITHER THIS SHEET NOR THE INFORMATION IT CONTAINS MAY BE USED BY OR DISCLOSED TO ANY THIRD PARTY WITHOUT PRIOR WRITTEN CONSENT OF COMPAL ELECTRONICS, INC.				Size Custom
				LA-7251P
				Rev 1.0
Date: Tuesday, April 12, 2011				Sheet 23 of 34



Security Classification		Compal Secret Data		Compal Electronics, Inc.	
Issued Date	2006/08/18	Deciphered Date	2008/09/20	Title	
THIS SHEET OF ENGINEERING DRAWING IS THE PROPRIETARY PROPERTY OF COMPAL ELECTRONICS, INC. AND CONTAINS CONFIDENTIAL AND TRADE SECRET INFORMATION. THIS SHEET MAY NOT BE TRANSFERRED FROM THE CUSTODY OF THE COMPETENT DIVISION OF R&D DEPARTMENT EXCEPT AS AUTHORIZED BY COMPAL ELECTRONICS, INC. NEITHER THIS SHEET NOR THE INFORMATION IT CONTAINS MAY BE USED BY OR DISCLOSED TO ANY THIRD PARTY WITHOUT PRIOR WRITTEN CONSENT OF COMPAL ELECTRONICS, INC.				DCIN / BATT CONN / RTC	
Size	Document Number	LA-7251P		Rev	0.1
Date:	Thursday, April 21, 2011	Sheet	24	of	34



Security Classification		Compal Secret Data		Compal Electronics, Inc.	
Issued Date	2010/01/25	Deciphered Date	2010/12/31	Title	
THIS SHEET OF ENGINEERING DRAWING IS THE PROPRIETARY PROPERTY OF COMPAL ELECTRONICS, INC. AND CONTAINS CONFIDENTIAL AND TRADE SECRET INFORMATION. THIS SHEET MAY NOT BE TRANSFERRED FROM THE CUSTODY OF THE COMPETENT DIVISION OF R&D DEPARTMENT EXCEPT AS AUTHORIZED BY COMPAL ELECTRONICS, INC. NEITHER THIS SHEET NOR THE INFORMATION IT CONTAINS MAY BE USED BY OR DISCLOSED TO ANY THIRD PARTY WITHOUT PRIOR WRITTEN CONSENT OF COMPAL ELECTRONICS, INC.				Size	Rev
				Custom	0.1
				Date:	Thursday, April 21, 2011
				Sheet	25 of 34
				LA-7221P	



SKIPSEL=low, OOA mode.
 SKIPSEL=high, auto skip mode.

<Vo=3.3V> VFB=2V
 $V_o = V_{FB} * (1 + 13K/20K) = 3.3V$
 $F_{sw} = 305KHz$

+3.3VALWP Ipeak=3.663 Imax=2.564A Iocp=4.39A Vo=3.3V
 Rds(on)=20m ohm(max) ; Rds(on)=15m ohm(typical)
 $V_{trip} = (10E-06 * 90.9K) / 9-24mV = 0.077V$
 $I_{limit} = 0.077V / 20m * 1.2 \sim 0.077V / 15m * 1.2 = 3.208A \sim 4.278A$

$\Delta I = ((12-3.3) * (3.3/12)) / (4.7u * 305 K) = 1.668A$
 $\Rightarrow 1/2 \Delta I = 0.834A$ (Freq=305KHz)

$I_{ocp_3V} = I_{limit} + \Delta I / 2 = 4.043A \sim 5.112A$

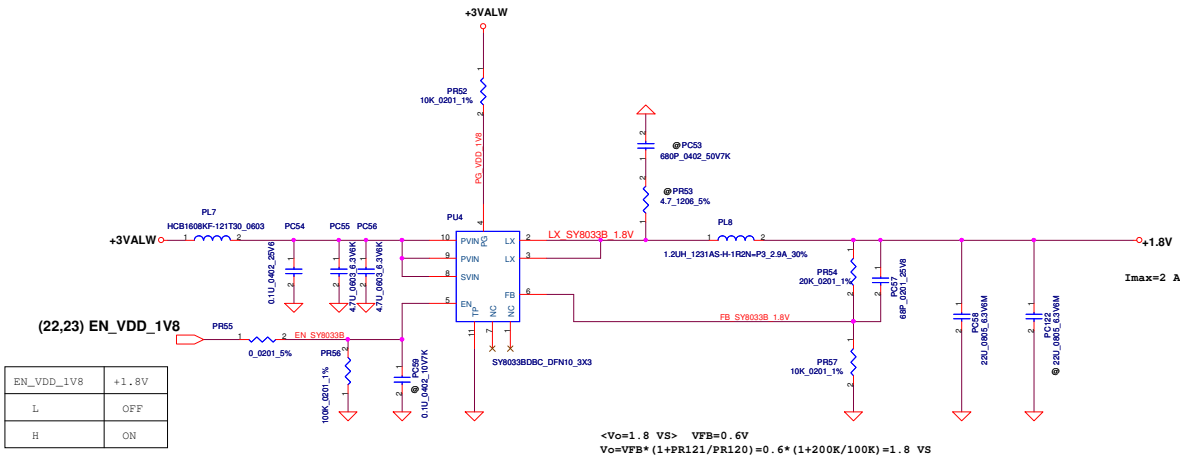
<Vo=5V> VFB=2V
 $V_o = V_{FB} * (1 + 30K/19.6K) = 5V$
 $F_{sw} = 245KHz$

+5VALWP Ipeak=3.7A Imax=2.59A Iocp=4.44A Vo=5V
 Rds(on)=20m ohm(max) ; Rds(on)=15m ohm(typical)
 $V_{trip} = (10E-06 * 53.6KK) / 9-24mV = 35.5mV$
 $I_{limit} = 35.5mV / 20m * 1.2 \sim 35.5mV / 20m * 1.2 = 1.481A \sim 1.975A$

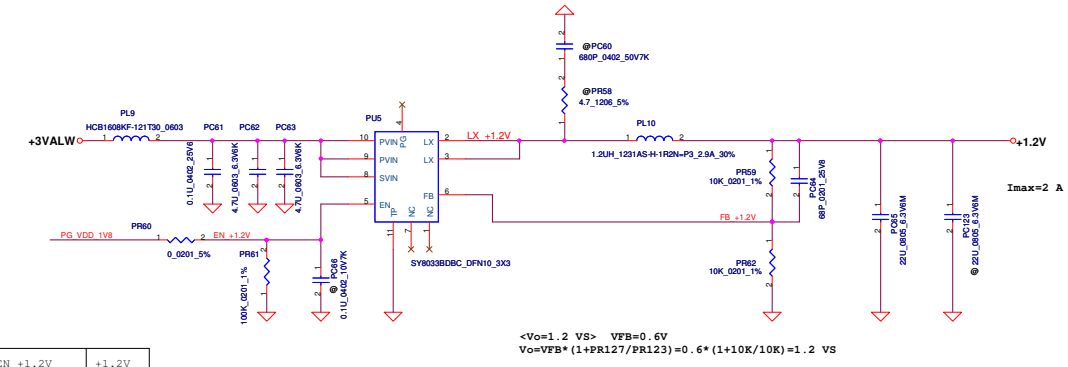
$\Delta I = ((19-5) * (5/19)) / (4.7u * 245 K) = 2.53A$
 $\Rightarrow 1/2 \Delta I = 1.266A$ (Freq=245KHz)

$I_{ocp_5V} = I_{limit} + \Delta I / 2 = 2.748A \sim 3.242A$

Security Classification		Compal Secret Data		Compal Electronics, Inc.	
Issued Date	2006/08/18	Deciphered Date	2008/09/20	Title	
THIS SHEET OF ENGINEERING DRAWING IS THE PROPRIETARY PROPERTY OF COMPAL ELECTRONICS, INC. AND CONTAINS CONFIDENTIAL AND TRADE SECRET INFORMATION. THIS SHEET MAY NOT BE TRANSFERRED FROM THE CUSTODY OF THE COMPETENT DIVISION OF R&D DEPARTMENT EXCEPT AS AUTHORIZED BY COMPAL ELECTRONICS, INC. NEITHER THIS SHEET NOR THE INFORMATION IT CONTAINS MAY BE USED BY OR DISCLOSED TO ANY THIRD PARTY WITHOUT PRIOR WRITTEN CONSENT OF COMPAL ELECTRONICS, INC.				3VALW MBP/5VALWP	
Size	Document Number	Date		Rev	
Custom	LA-7251P	Thursday, April 21, 2011		0.1	
				Sheet 26 of 34	

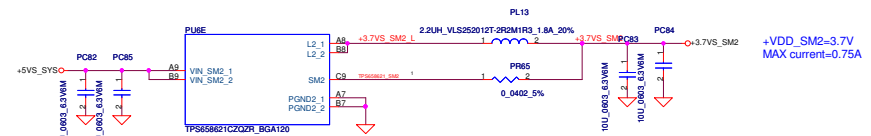
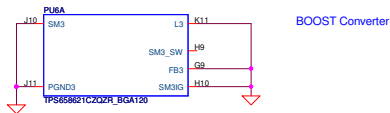
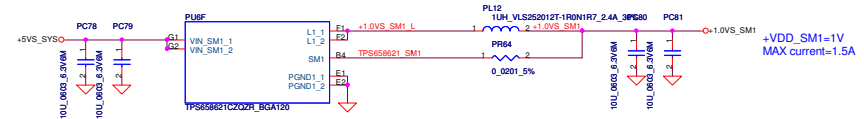
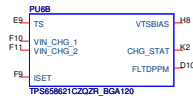
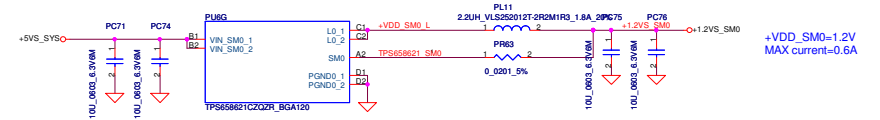
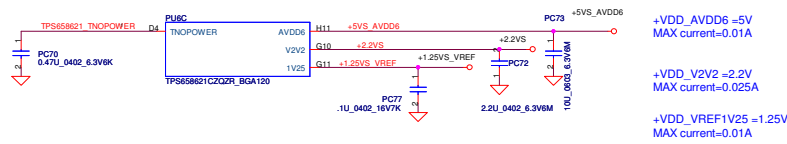
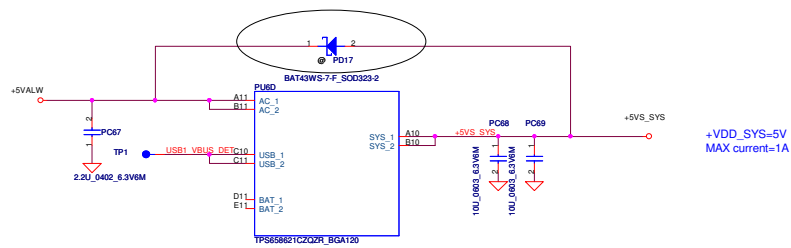


EN_VDD_1V8	+1.8V
L	OFF
H	ON



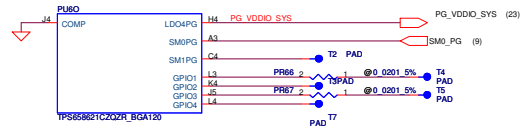
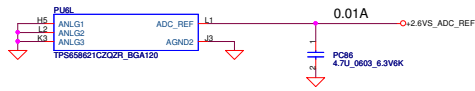
EN_+1.2V	+1.2V
L	OFF
H	ON

Security Classification	Compal Secret Data		Compal Electronics, Inc.	
Issued Date	2006/08/18	Deciphered Date	2008/09/20	
THIS SHEET OF ENGINEERING DRAWING IS THE PROPRIETARY PROPERTY OF COMPAL ELECTRONICS, INC. AND CONTAINS CONFIDENTIAL AND TRADE SECRET INFORMATION. THIS SHEET MAY NOT BE TRANSFERRED FROM THE CUSTODY OF THE COMPETENT DIVISION OF R&D DEPARTMENT EXCEPT AS AUTHORIZED BY COMPAL ELECTRONICS, INC. NEITHER THIS SHEET NOR THE INFORMATION IT CONTAINS MAY BE USED BY OR DISCLOSED TO ANY THIRD PARTY WITHOUT PRIOR WRITTEN CONSENT OF COMPAL ELECTRONICS, INC.			Title	+1.8VS
Size	Document Number	Rev	LA-7251P	0.1
Date	Thursday, April 21, 2011	Sheet	27	of 34

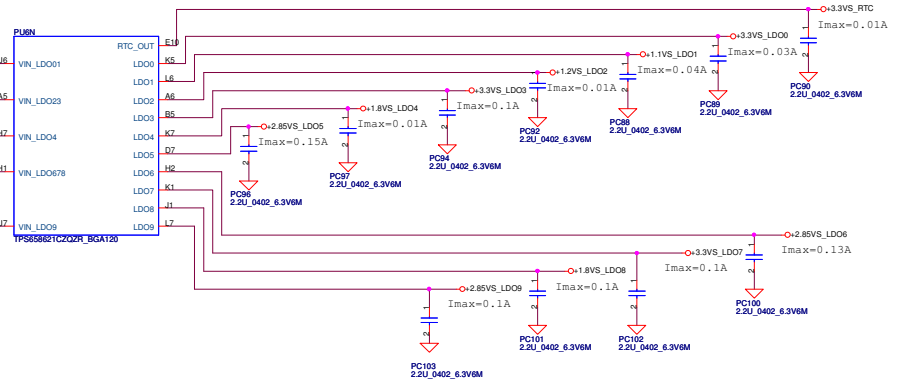
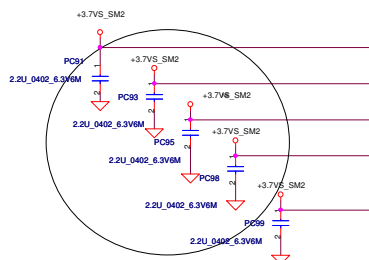


PMU #1

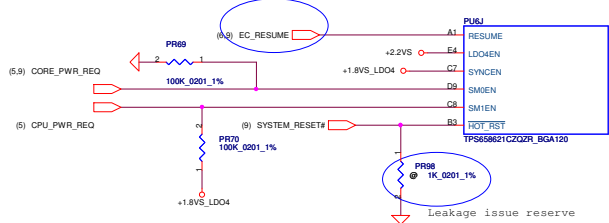
Security Classification	Compal Secret Data		Compal Electronics, Inc.	
Issued Date	2006/08/18	Deciphered Date	2008/09/20	Title
THIS SHEET OF ENGINEERING DRAWING IS THE PROPRIETARY PROPERTY OF COMPAL ELECTRONICS, INC. AND CONTAINS CONFIDENTIAL AND TRADE SECRET INFORMATION. THIS SHEET MAY NOT BE TRANSFERRED FROM THE CUSTODY OF THE COMPETENT DIVISION OF R&D DEPARTMENT EXCEPT AS AUTHORIZED BY COMPAL ELECTRONICS, INC. NEITHER THIS SHEET NOR THE INFORMATION IT CONTAINS MAY BE USED BY OR DISCLOSED TO ANY THIRD PARTY WITHOUT PRIOR WRITTEN CONSENT OF COMPAL ELECTRONICS, INC.				PMU#1
Size	Document Number	Rev		
Chart	LA-7251P	0.1		
Date	Thursday, April 21, 2011	Sheet	28	of 34



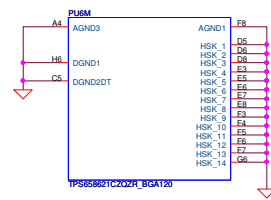
LAYOUT元件擺IC出PIN



接到EC (POWER BUTTON)

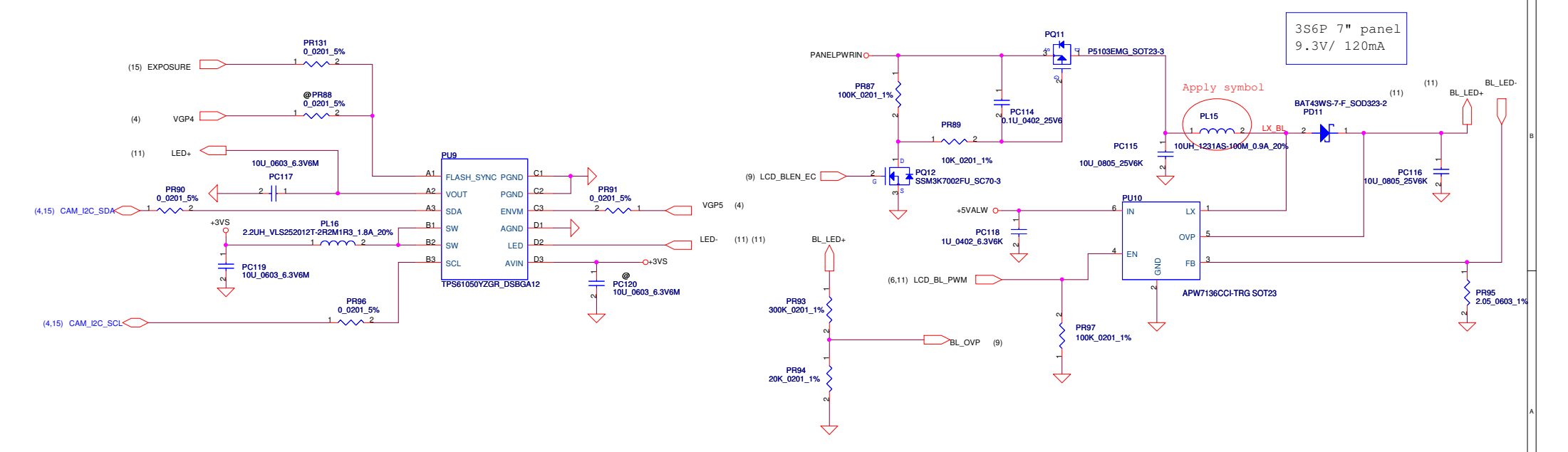
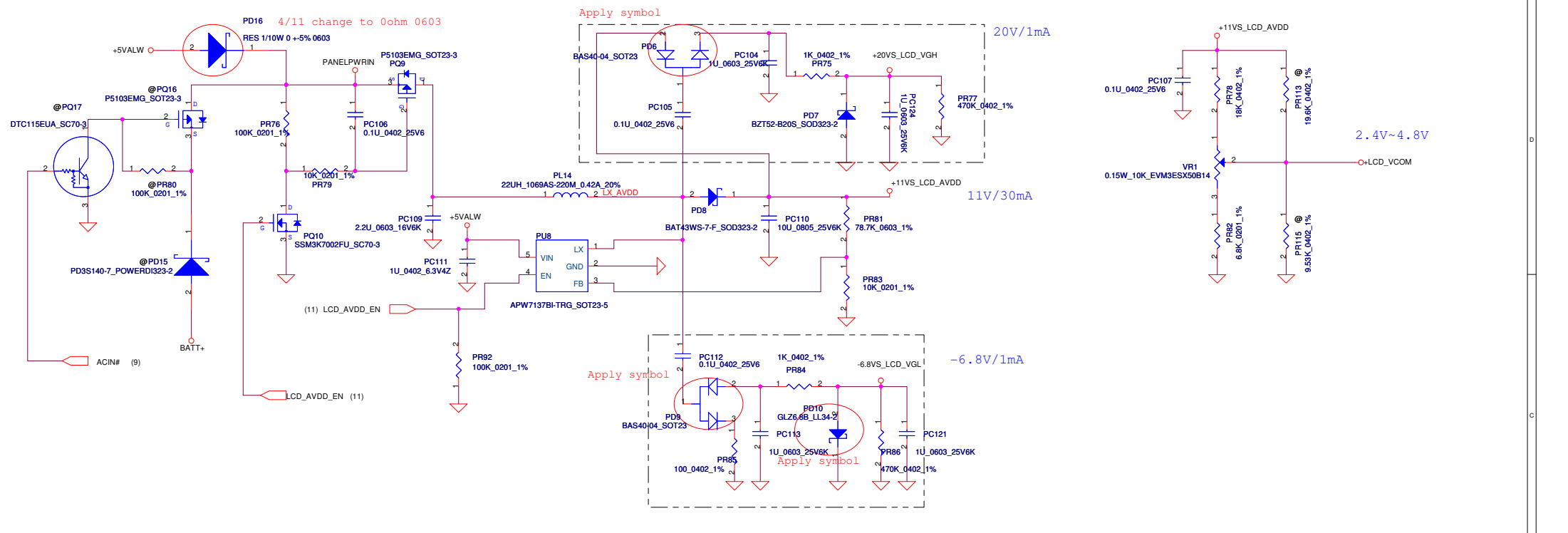


Leakage issue reserve



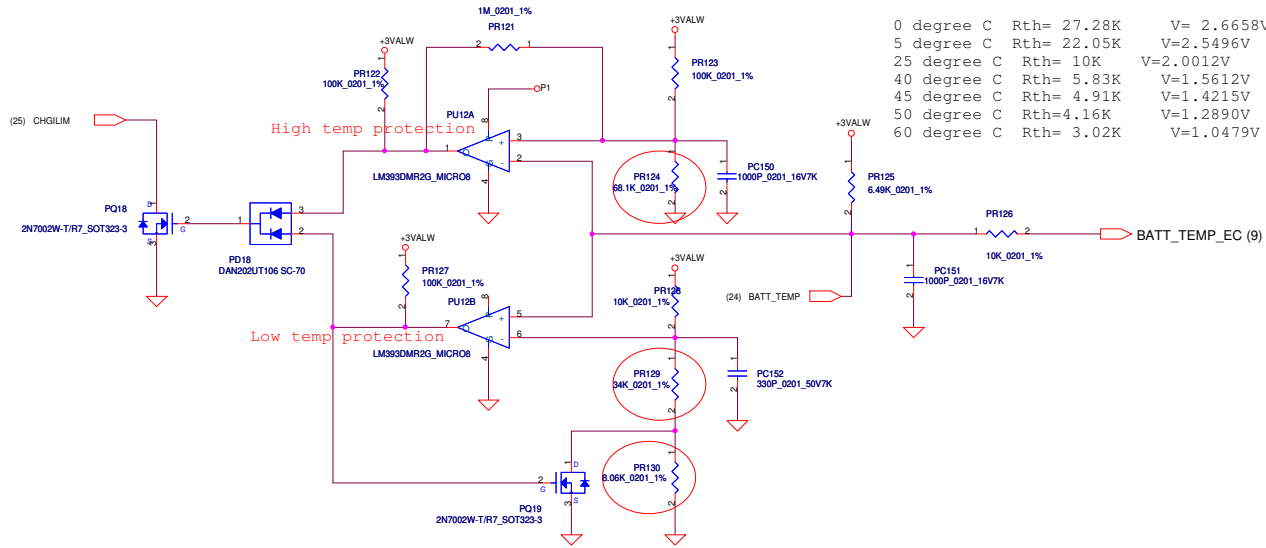
PMU #2

Security Classification	Compal Secret Data		Compal Electronics, Inc.	
Issued Date	2006/08/18	Deciphered Date	2008/09/20	Title
				PMU#2
THIS SHEET OF ENGINEERING DRAWING IS THE PROPRIETARY PROPERTY OF COMPAL ELECTRONICS, INC. AND CONTAINS CONFIDENTIAL AND TRADE SECRET INFORMATION. THIS SHEET MAY NOT BE TRANSFERRED FROM THE CUSTODY OF THE COMPETENT DIVISION OF R&D DEPARTMENT EXCEPT AS AUTHORIZED BY COMPAL ELECTRONICS, INC. NEITHER THIS SHEET NOR THE INFORMATION IT CONTAINS MAY BE USED BY OR DISCLOSED TO ANY THIRD PARTY WITHOUT PRIOR WRITTEN CONSENT OF COMPAL ELECTRONICS, INC.				Size A4
				Document Number LA-7251P
				Rev 0.1
				Date Thursday, April 21, 2011
				Sheet 29 of 34



Security Classification				Compal Secret Data				Compal Electronics, Inc.			
Issued Date		2010/07/30		Deciphered Date		2011/07/30		Title			
THIS SHEET OF ENGINEERING DRAWING IS THE PROPRIETARY PROPERTY OF COMPAL ELECTRONICS, INC. AND CONTAINS CONFIDENTIAL AND TRADE SECRET INFORMATION. THIS SHEET MAY NOT BE TRANSFERRED FROM THE CUSTODY OF THE COMPETENT DIVISION OF R&D DEPARTMENT EXCEPT AS AUTHORIZED BY COMPAL ELECTRONICS, INC. NEITHER THIS SHEET NOR THE INFORMATION IT CONTAINS MAY BE USED BY OR DISCLOSED TO ANY THIRD PARTY WITHOUT PRIOR WRITTEN CONSENT OF COMPAL ELECTRONICS, INC.								LCD POWER/LED FLASH		Rev	
								Size Custom		LA-7251P	
								Date: Thursday, April 21, 2011		Sheet 30 of 34	

0 degree C protect, 5 degree C recovery.
 50 degree C protect, 45 degree C recovery.



0 degree C	Rth= 27.28K	V= 2.6658V
5 degree C	Rth= 22.05K	V=2.5496V
25 degree C	Rth= 10K	V=2.0012V
40 degree C	Rth= 5.83K	V=1.5612V
45 degree C	Rth= 4.91K	V=1.4215V
50 degree C	Rth=4.16K	V=1.2890V
60 degree C	Rth= 3.02K	V=1.0479V

Security Classification	Compal Secret Data		Compal Electronics, Inc.	
Issued Date	2008/12/22	Deciphered Date	2009/12/22	Title
THIS SHEET OF ENGINEERING DRAWING IS THE PROPRIETARY PROPERTY OF COMPAL ELECTRONICS, INC. AND CONTAINS CONFIDENTIAL AND TRADE SECRET INFORMATION. THIS SHEET MAY NOT BE TRANSFERRED FROM THE CUSTODY OF THE COMPETENT DIVISION OF R&D DEPARTMENT EXCEPT AS AUTHORIZED BY COMPAL ELECTRONICS, INC. NEITHER THIS SHEET NOR THE INFORMATION IT CONTAINS MAY BE USED BY OR DISCLOSED TO ANY THIRD PARTY WITHOUT PRIOR WRITTEN CONSENT OF COMPAL ELECTRONICS, INC.				Size C
				Document Number
				Rev 0.1
				Date: Thursday, April 21, 2011
				Sheet 31 of 34

Version change list (P.I.R. List)

Item	Fixed Issue	Reason for change	Rev.	PG#	Modify List	Date	Phase
1	Add 1000p to prevent noise coupling at battery TS pin.	Add 1000p to prevent noise coupling at battery TS pin.	0.1	25	Add 1000P_0201_16V at PC153.	2010/11/30	Before EVT
2	Modify HW charger OTP recovert point.	Change OTP setting, 45 degree C protect and 40 degree C recovery.	0.1	25	Change PR115 from 6.81K_0402_1% to 30.9K_0402_1%	2010/11/30	Before EVT
3	Prevent battery reverse and damage the charger IC.	Follow FAE's suggestion, add resistors before SRN and SRP.	0.1	25	Add 10_0402_1% at PR119. Add 6.98_0402_1% at PR120.	2010/11/30	Before EVT
4	Apply new PN for PD10.	Apply new PN for PD10.	0.1	30	Change PD10 from GL25.1B to GL26.8B.	2010/11/30	Before EVT
5	Modify +3VALWP OCP design	Modify +3VALWP OCP design	0.1	26	Change PR39 from 53.6K_0402_1% to 100K_0402_1%	2010/12/07	Before EVT
6	Design change	Modify BQ24725 schematic	0.1	25	Change PR120 from 6.81_0402_1% to 6.98_0402_1%	2010/12/07	Before EVT
7	Change to common PN	Change to common PN	0.1		Change PC9,PC104,PC113,PC121,PC124 from SE00009R80 to SE00006900	2010/12/07	Before EVT
8	Change to common PN	Change to common PN	0.1		Change PC50,PC107 from SE00000G8N0 to SE00000G880	2010/12/07	Before EVT
9	Change to common PN	Change to common PN	0.1		Change PC38,PC42,PC110,PC115,PC116 from SE00000QKN0 to SE00000QK00	2010/12/07	Before EVT
10	For common part	PD1 3A SMA diode SCS00001I80 shortage issue	0.1	24	Change PD1 from SCS00001I80 to SCS00000W00	2010/12/07	Before EVT
11	For common part	Change BL choke to common PN	0.2	30	Change PL15 from SH00000B200(1127AS) to SH00000MX00(1231AS)	2010/12/30	EVT
12	For common part	Change cap PN to common PN	0.2	25	Change PC136 from SE00000U000(1u_0402_16V) to SE00000QL10(1u_0402_10v)	2010/12/30	EVT
13	Raise VGH voltage from 18V to 20V.	Raise VGH voltage from 18V to 20V.	0.2	30	Change PD7 zener diode from LLZ20A(18V) to GLZ22B(20V)	2010/12/30	EVT
14	For common part	Change diode PN to common PN	0.2	30	Change PD6,PD9 diode fromBAT54S-7-F to BAS40-04	2010/12/30	EVT
15	For common part	Change CSR PN to common PN	0.2	25	Change PR17 0.05_1206_1% from SD00000S700 to SD00000CI10	2010/12/30	EVT
16	Prevent EC pin damage when BL_OVP	Modify voltage divider resistor	0.2	30	Change PR94 from 30K to 20K.	2010/12/30	EVT
17	Increase panel power input doide	Increase panel power input doide	0.2	30	Change PD15 and PD16 to PD3S140.	2010/12/30	EVT
18	Charger CP close to IC max value.	Charger CP setting near IC max value, vendor suggest change inpur CSR value lower.	0.2	25	Change PR11 from 50m ohm to 20m ohm.	2010/12/30	EVT
19	Modify charger OTP circuit	Modify it for high and low temp sense.	0.2	25	Delete PU12, PC147, PC153, PR113, PR115 and add PU12,PD18, PQ18,PQ19,PR121,PR122,PR123,PR124,PR125,PR126,PR127,PR128, PR129,PR130,PC150,PC151,PC152.	2010/12/30	EVT
20	Improve TI thermal shutdown issue	From vendor's suggestion, change PC77 from 1u to 0.1u	0.2	28	change PC77 from 1u to 0.1u	2010/12/30	EVT
21	For common part	Change cap PN to common PN	0.2	31	PC150 & PC151 change from SE00000TG00 (1000P_0201_50V7K) to common part SE000007U80 (1000P 16V K X7R 0201)	2011/01/10	EVT
22	For ESD part	Change to include ESD dioed	0.2	30	PQ10 & PQ12 change from SB000006800 (S TR 2N7002W T/R7 1N 80T-323) to SB000009610 (S TR SSM3K7002FU 1N SC70-3)	2011/01/10	EVT
23	For LED flash issue	modify LED flash schematic	0.2a	30	Add net 'EXPOSURE' & add PR131(0_0201_5%) Change PR88 to non-mount	2011/01/11	EVT
24	Modify panel power sequence	Modify panel power sequence	0.2a	30	PR75 change from SD034100180(S RES 1/16W 1K +-1% 0402) to SD034300280(S RES 1/16W 30K +-1% 0402)	2011/01/27	DVT
25	Modify panel power sequence	Modify panel power sequence	0.2a	30	PR84 change from SD034300180(S RES 1/16W 3K +-1% 0402) to SD034100180(S RES 1/16W 1K +-1% 0402)	2011/01/27	DVT
26	Reduce negative current during CC mode to CP mode.	Reduce negative current during CC mode to CP mode.	0.2a	25	Change PC145 from SE000006880(S CER CAP 2.2U 16V K X5R 0603) to SE026104K80(S CER CAP .1U 16V K X7R 0603)	2011/01/27	DVT
27	For common part	Vendor not support SC2N2020U0T4(S DIO DAN2020)	0.3	31	Change PD18 from SC2N2020U0T4(S DIO DAN2020) to SC2N2020U10 (S DIO DAN2020U106 SC-70)	2011/02/10	PVT
28	Add limit current resistor	Add limit current resistor	0.3	24	Add PR12 (S RES 1/10W 20 +-1% 0603)	2011/02/17	PVT
29							
30							
31							

Security Classification		Compal Secret Data		Compal Electronics, Inc.	
Issued Date	2006/08/18	Deciphered Date	2008/09/20	Title	PIR-PWR-1
THIS SHEET OF ENGINEERING DRAWING IS THE PROPRIETARY PROPERTY OF COMPAL ELECTRONICS, INC. AND CONTAINS CONFIDENTIAL AND TRADE SECRET INFORMATION. THIS SHEET MAY NOT BE TRANSFERRED FROM THE CUSTODY OF THE COMPETENT DIVISION OF R&D DEPARTMENT EXCEPT AS AUTHORIZED BY COMPAL ELECTRONICS, INC. NEITHER THIS SHEET NOR THE INFORMATION IT CONTAINS MAY BE USED BY OR DISCLOSED TO ANY THIRD PARTY WITHOUT PRIOR WRITTEN CONSENT OF COMPAL ELECTRONICS, INC.					
Size	C	Document Number	LA-7251P	Rev	1.0
Date:	Tuesday, April 12, 2011	Sheet	32	of	34

EVT

<2010/10/05>

- P04 - DEL R211
- P05 - DEL R179
- P06 - R109 Change to 0-ohm
ADD NET: USB1_ID
DEL NET: DAP_MCLK1_FM2018
DEL R97
ADD R1348, R1349, R1350, R1351
- P09 - ADD R1352 For IR_INT
ADD NET: USB1_ID, IR_INT
- P11 - Change U150 package
- P12 - C1414, C1415, C1416, C1419 Change to 5600p
DEL R1223, R1221, R1220
- P13 - DEL R1250
ADD R1389, R1390, R1391, R1392
- P14 - ADD R1394, R1395
- P15 - DEL R136, R139, R140, R143, R144
- P17 - DEL R1307, R1344
- P19 - Modify USB circuit
- P23 - DEL R148

<2010/10/08>

- P04 - R36, R39 Change package size to 0201(2.2K SD00000TH00)
R117, R1022, R112 Change package size to 0201(100K)
R11 Change package size to 0201(10K)
- P05 - R45, R46, R226, R48 Change package size to 0201
- P06 - R54, R57, R110, R111, R114, R1348, R1349, R1350, R1351 Change package size to 0201
- P08 - R460, 461 Change package size to 0402
- P09 - R1161, R1174 Change package size to 0402
R1352 Change package size to 0201
NET: IR_INT Change to IRDA_INT
- P11 - R1405 Change package size to 0201
R1208, R1209 Change package size to 0402
- P12 - R1224, R1225, R1147, R1145, R1144, R1148, R1059 Change package size to 0402
R1299, R181 Change package size to 0201
- P13 - C1375, C1372, C1376, C1373, C1133, C1135 Change package size to 0402
- P14 - R1301, R1 Change package size to 0402
R1394, R1395, R1296 Change package size to 0201
- P15 - R1292, R23, R37, R44, R47, R52 Change package size to 0201
- P16 - R28 Change package size to 0402
R1401 Change package size to 0201
- P17 - R1157, R1158 Change package size to 0402
- P18 - R1368, R1374, R1388, R1370, R1365, R1385, R1356, R1375 Change package size to 0201
- P19 - R1393, R1406, R1172 Change package size to 0201
D30 NET Change to +USB_VOUT
- P22 - C598, C603, R67 Change package size to 0402
R859, R860 Change package size to 0201

<2010/10/12>

- P16 - Add R1407 for DOCK_DET_R#
Add R1408, Q58 for HEAD_R_DET#

<2010/10/15>

- P04 - Add NET: LS_EN#, I2C_RST
- P09 - Add NET: EC_OE_OFF
- P18 - R1376, R1359, R1373, R1358, R1363, R1382 Change package size to 0201
R519, R520 mount
Update JHDMI connector
- P19 - Del U151, C1463, C1464, R1406
- P20 - Del R50, R53, R55, R60
- P21 - Del R1202~R1209
Update Power Schematic

<2010/10/21>

- P11 - C121(4.7uF) Change package size to 0603
- P16 - DEL U133
- P19 - C121(4.7uF) Change package size to 0603
ADD Q59
- P23 - ADD U3, U5

<2010/11/01>

- P04 - NET: HDMI_HPD_R change to HDMI_HPD_SRC
- P15 - CAM2_OE pull down(High active for 2M camera)
- P19 - ADD U151, U152, R1411, C1464

<2010/11/03>

- P04 - ADD NET: DOCK_ON
- P09 - ADD NET: HDMI_HPD, HDMI_HPD2, DOCK_ON
- P11 - Modify U97 package to S023-5
Modify JP58(Touch Panel) Library
- P12 - Modify JP55 Library
- P13 - Modify internal MIC Library
- P16 - Modify SW6 Library
- P18 - DEL R1377, R1378, R1409
Modify U109 package to S023-5
- P19 - Modify U97 package to S023-5

<2010/11/05>

- P16 - Modify JP12(Docking) Library
- P19 - Modify JP70(Micro USB) Library
Update power circuit

<2010/11/08>

- P04 - DEL R931, C1217
- P09 - ADD R1412~R1419 and Q59, Q60
- P10 - ADD R1420
- P11 - ADD D31 for LED Flash
- P12 - ADD R1421~R1425 and C1465, C1466
- P13 - ADD JMIC1, JMIC2, R1426~R1430 for DMIC
- P15 - DEL 5M Camera circuit
- P17 - ADD RF switch circuit
- P18 - ADD R1439
- P22 - DEL Power Button circuit
- P23 - DEL P-Sensor circuit

<2010/11/09>

- P15 - Update JP2 Pin arrangement
- P17 - Remove RF switch circuit to IO board
- P22 - Add Power Button circuit

<2010/11/15>

- P04 - DEL NET: DOCK_ON
Change NET: PROX_INT# to P_INT#
- P05 - ADD NET: DOCK_ON, IR_INT, Home_POOUT, Home_LED_ON
ADD R1444~R1446, R1449, D32
- P06 - Change R109 to 10K-ohm
Change NET: USB1_ID to +AVDD_USB
- P09 - DEL R1177~R1179
DEL NET: USB1_ID, DOCK_DET_L#, SLEEP_MODE
ADD NET: POUT, IR_INT, FM2018_EN, P_INT#
- P11 - Change NET: LED- to BL_LED-, LED+ to BL_LED+
Change JP58 Pin arrangement
- P12 - Swap D5, D6
- P13 - Remove MIC circuit
- P15 - Change NET: +5VALW to +3VALW
- P16 - DEL R1407, R72
- P17 - Swap L50
- P18 - Change L91~L94 to SM070001S00
Swap L93, L94 for layout
- P19 - Change JP70 library
ADD R1447, R1448
- P23 - ADD JP72 for Home Key

<2010/11/17> By Harry

- P12 - add C54/C55/R245/R246
- P12 - add R182(Head_DET#) pull-high on MB

<2010/11/18> By Harry

- update Power schematic

<2010/11/22> By Harry

- Page9 add EC ESB BUS

<2011/02/11>

- P14 - ADD R1522
- Update power circuit

<2011/02/18>

- P09 - ADD R1528
- P12 - ADD Q64~Q66, R1523~R1527
DEL R1495, R1498
- P16 - ADD C1484
- Update power circuit

<2011/03/03>

- P09 - change R1417 to 33K-ohm(Board ID)
- P12 - Q64~Q66 change to SB00000BS00
R1496 change to 25.5K-ohm
R1500 change to 46.4K-ohm
- P16 - mount: U149, C1452~C1457, R1396, R1398, R1404 for 3G SKU
- P18 - nu-mount: R1363, R1382, R1357, R1362
mount: R1372, R1354, R1367
change R1496 to 422-ohm
change R1373, R1358 to 47K-ohm
- P23 - change JP73.1 NET to +3VALW
nu-mount: Q61, R1479, R1480

<2011/03/08>

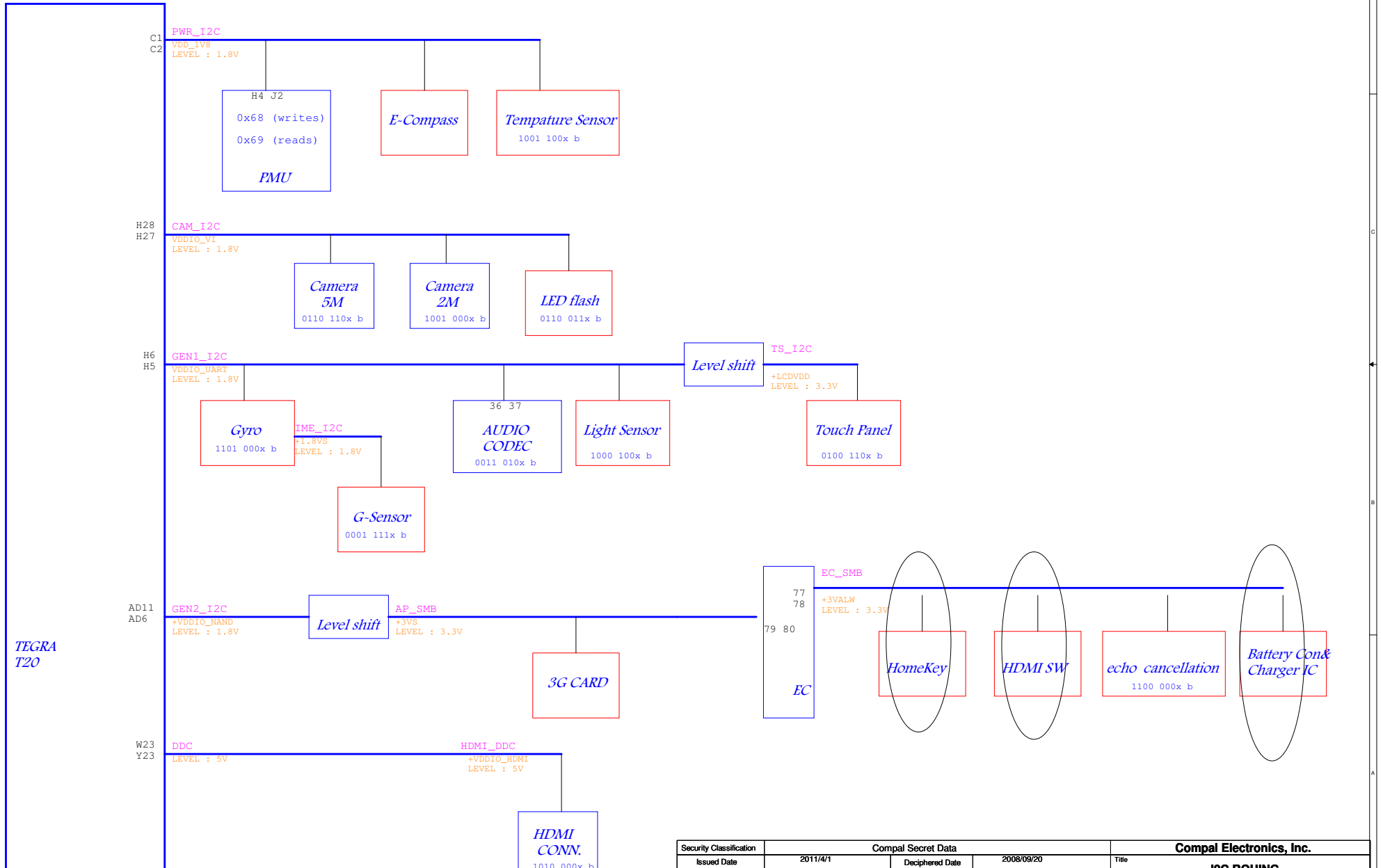
- P03 - modify I2C address table
- P05 - R1444 change to 3G@
- P09 - modify board ID table
- P12 - Change R245, R246 to 9.1-ohm for 3G@
- P14 - nu-mount U132
- P15 - nu-mount: R1513
mount: R1514
- P16 - Change R1470, R1472 to 600-ohm at 100MHz for 3G@
- P19 - nu-mount: C1433, C1450

<2011/04/28>

- P05 - Change R1444 to SD028100280

Security Classification		Compal Secret Data		Compal Electronics, Inc.		
Issued Date	2011/4/1	Deciphered Date	2008/09/20	Title		
THIS SHEET OF ENGINEERING DRAWING IS THE PROPRIETARY PROPERTY OF COMPAL ELECTRONICS, INC. AND CONTAINS CONFIDENTIAL AND TRADE SECRET INFORMATION. THIS SHEET MAY NOT BE TRANSFERRED FROM THE CUSTODY OF THE COMPETENT DIVISION OF R&D DEPARTMENT EXCEPT AS AUTHORIZED BY COMPAL ELECTRONICS, INC. NEITHER THIS SHEET NOR THE INFORMATION IT CONTAINS MAY BE USED BY OR DISCLOSED TO ANY THIRD PARTY WITHOUT PRIOR WRITTEN CONSENT OF COMPAL ELECTRONICS, INC.				PIR-HW-1 LA-7251P		
Size	Document Number	Rev	Date: Thursday, April 28, 2011 Sheet 33 of 34			
Custom	LA-7251P	1.0				

PBJ30 (VanGogh) I2C Routing



Security Classification	Compal Secret Data		Compal Electronics, Inc.	
Issued Date	2011/4/1	Deciphered Date	2008/09/20	Title
THIS SHEET OF ENGINEERING DRAWING IS THE PROPRIETARY PROPERTY OF COMPAL ELECTRONICS, INC. AND CONTAINS CONFIDENTIAL AND TRADE SECRET INFORMATION. THIS SHEET MAY NOT BE TRANSFERRED FROM THE CUSTODY OF THE COMPETENT DIVISION OF R&D DEPARTMENT EXCEPT AS AUTHORIZED BY COMPAL ELECTRONICS, INC. NEITHER THIS SHEET NOR THE INFORMATION IT CONTAINS MAY BE USED BY OR DISCLOSED TO ANY THIRD PARTY WITHOUT PRIOR WRITTEN CONSENT OF COMPAL ELECTRONICS, INC.				I2C ROUTING
Size	C	Document Number	LA-7251P	Rev
Date:	Tuesday, April 12, 2011	Sheet	34	of 34

www.s-manuals.com