

ZZZ
DAB@
DA80000QD00
PCB

ZZZ1
EL@
X76346BOL01

ZZZ2
HY@
X76346BOL02

S1
ME@
EC0NY000600

Compal Confidential

QCJ00(LA-8111P) Schematics Document

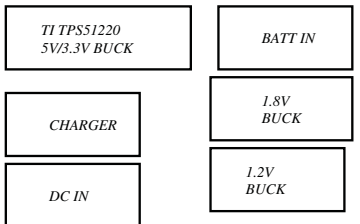
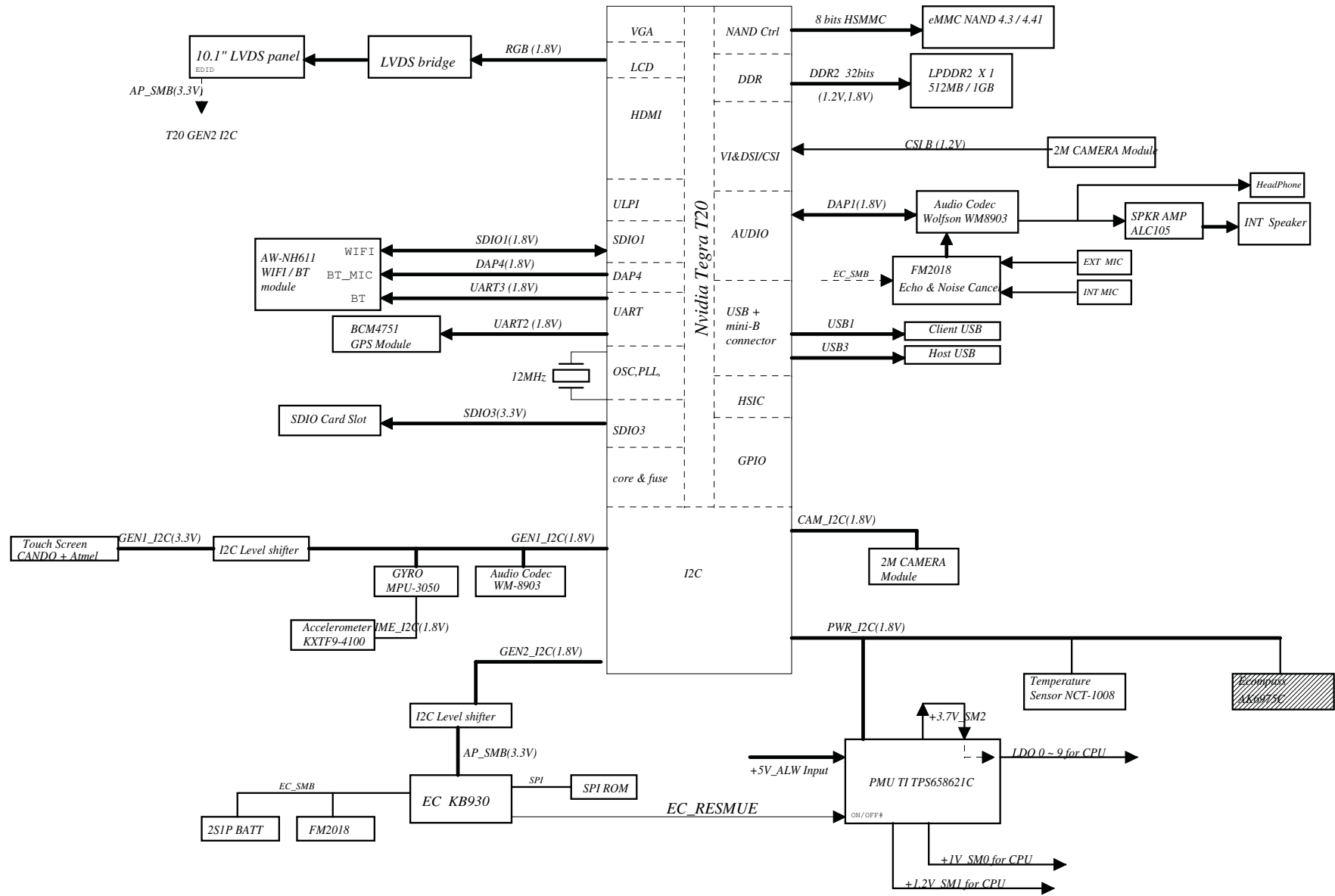
Nvdia(T20) + LPDDRII

2011-09-30

REV: 0.3

Security Classification	Compal Secret Data		Compal Electronics, Inc.			
Issued Date	2011/4/1	Deciphered Date	2008/09/20	Title		
THIS SHEET OF ENGINEERING DRAWING IS THE PROPRIETARY PROPERTY OF COMPAL ELECTRONICS, INC. AND CONTAINS CONFIDENTIAL AND TRADE SECRET INFORMATION. THIS SHEET MAY NOT BE TRANSFERRED FROM THE CUSTODY OF THE COMPETENT DIVISION OF R&D DEPARTMENT EXCEPT AS AUTHORIZED BY COMPAL ELECTRONICS, INC. NEITHER THIS SHEET NOR THE INFORMATION IT CONTAINS MAY BE USED BY OR DISCLOSED TO ANY THIRD PARTY WITHOUT PRIOR WRITTEN CONSENT OF COMPAL ELECTRONICS, INC.				Size C	Document Number PICASSO-E	Rev 0.1
Date: Thursday, October 06, 2011				Sheet 1 of 32		

QCJ00 (Picasso-E) system block diagram



Security Classification	Compal Secret Data		Compal Electronics, Inc.	
Issued Date	2006/08/18	Deciphered Date	2006/09/20	Title
THIS SHEET OF ENGINEERING DRAWING IS THE PROPRIETARY PROPERTY OF COMPAL ELECTRONICS, INC. AND CONTAINS CONFIDENTIAL AND TRADE SECRET INFORMATION. THIS SHEET MAY NOT BE TRANSFERRED FROM THE CUSTODY OF THE COMPETENT DIVISION OF R&D DEPARTMENT EXCEPT AS AUTHORIZED BY COMPAL ELECTRONICS, INC. NEITHER THIS SHEET NOR THE INFORMATION CONTAINED HEREIN MAY BE USED BY OR DISCLOSED TO ANY THIRD PARTY WITHOUT PRIOR WRITTEN CONSENT OF COMPAL ELECTRONICS, INC.				NVIDIA Ventana System Rev 0.1 Date: Monday, October 06, 2011 Sheet 2 of 32

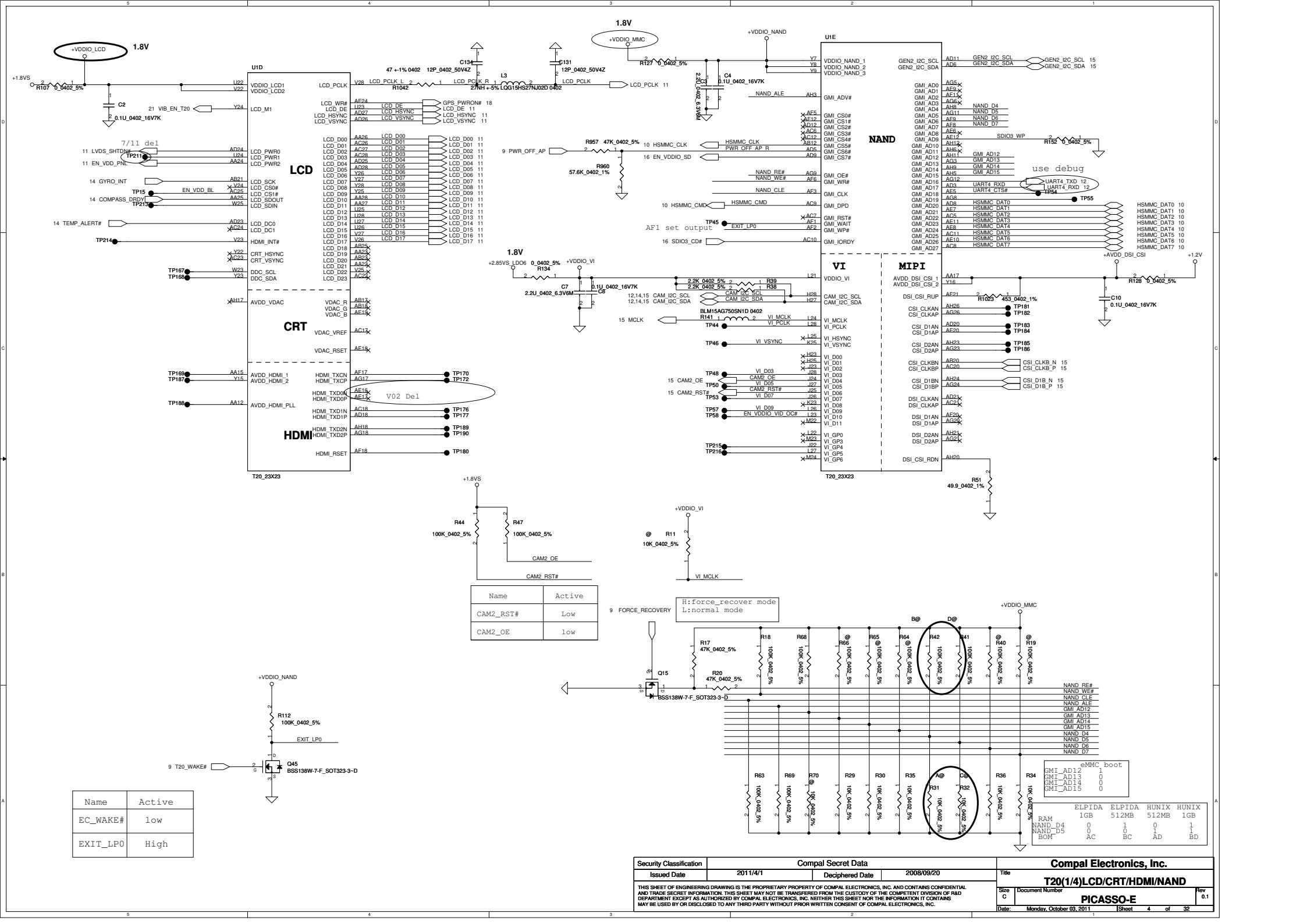
Voltage Rails

Power Plane	Description	IDLE	Standby
VIN	Adapter power supply (12V)	ON	ON
B+	AC or battery power rail for power circuit.	ON	ON
+1.2VS_SM0	Core voltage for CPU	ON	OFF
+1.0VS_SM1	CPU voltage for CPU	ON	OFF
+1.1VS_LDO1	AVDD_PLL power rail	ON	OFF
+1.2VS_LDO2	T20 RTC power rail	ON	OFF
+1.8VS_LDO4	T20 system power rail	ON	ON
+3.3VS_LDO3	T20 USB power rail	ON	OFF
+2.85VS_LDO5	Core voltage for EMMC	ON	OFF
+2.85VS_LDO6	Core voltage for CAMERA	ON	OFF
+3.3VS_LDO7	T20 HDMI power rail	ON	OFF
+1.8VS_LDO8	T20 HDMI PLL power rail	ON	OFF
+2.85VS_LDO9	T20 DDR RX power rail	ON	ON
+3VALW	3.3V always on power rail	ON	ON
+3VS	3.3V switched power rail for standby mode	ON	ON
+5VALW	5V always on power rail	ON	ON
+1.8V	1.8V always on power rail	ON	ON
+1.8VS	1.8V switched power rail for standby mode	ON	ON
+3.3VS_RTC	RTC power	ON	ON

SIGNAL STATE	EC_SYS_STANDBY#	EN_VDD_+1.8VS_S3	EN_VDD_3V3	EN_VDD_1V8
Full ON	High	High	High	High
Standby	High	High	High	High

GEN1_I2C		TS_I2C	
Audio Codec	1001 010xb	Device	
G-sensor	0000 1111 b	Touch Panel	
Gyro	1101 000x b	0x4C or 0x4D	
GEN2_I2C		AP_SMB	
		Device	
		PANEL EDID	
EC_SMB		EC	
Device		Address	
Echo Cancellation		1011 111xb	
BATT			
CAM_I2C address			
Device		Address	
CAMERA 1.3M		1001 000X b	
PWR_I2C address			
Device		Address	
PMU		0110 100X b	
Temperature sensor		0101 110X b	
Ecompass			

Security Classification	Compal Secret Data			Compal Electronics, Inc.		
Issued Date	2011/4/1	Deciphered Date	2008/09/20	Title		
<small>THIS SHEET OF ENGINEERING DRAWING IS THE PROPRIETARY PROPERTY OF COMPAL ELECTRONICS, INC. AND CONTAINS CONFIDENTIAL AND TRADE SECRET INFORMATION. THIS SHEET MAY NOT BE TRANSFERRED FROM THE CUSTODY OF THE COMPETENT DIVISION OF R&D DEPARTMENT EXCEPT AS AUTHORIZED BY COMPAL ELECTRONICS, INC. NEITHER THIS SHEET NOR THE INFORMATION IT CONTAINS MAY BE USED BY OR DISCLOSED TO ANY THIRD PARTY WITHOUT PRIOR WRITTEN CONSENT OF COMPAL ELECTRONICS, INC.</small>				Notes List		
				Size Custom	Document Number	Rev 0.1
				Sheet	3	of 32



T20_23X23

T20_23X23

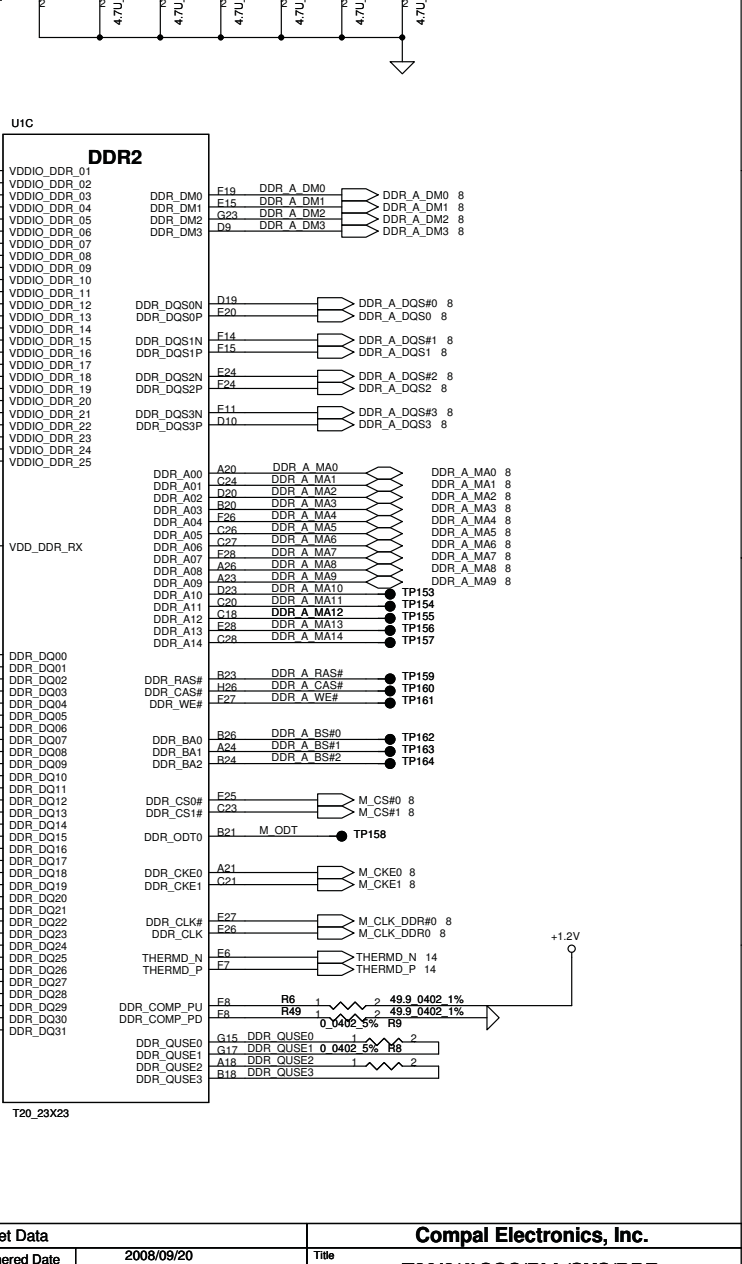
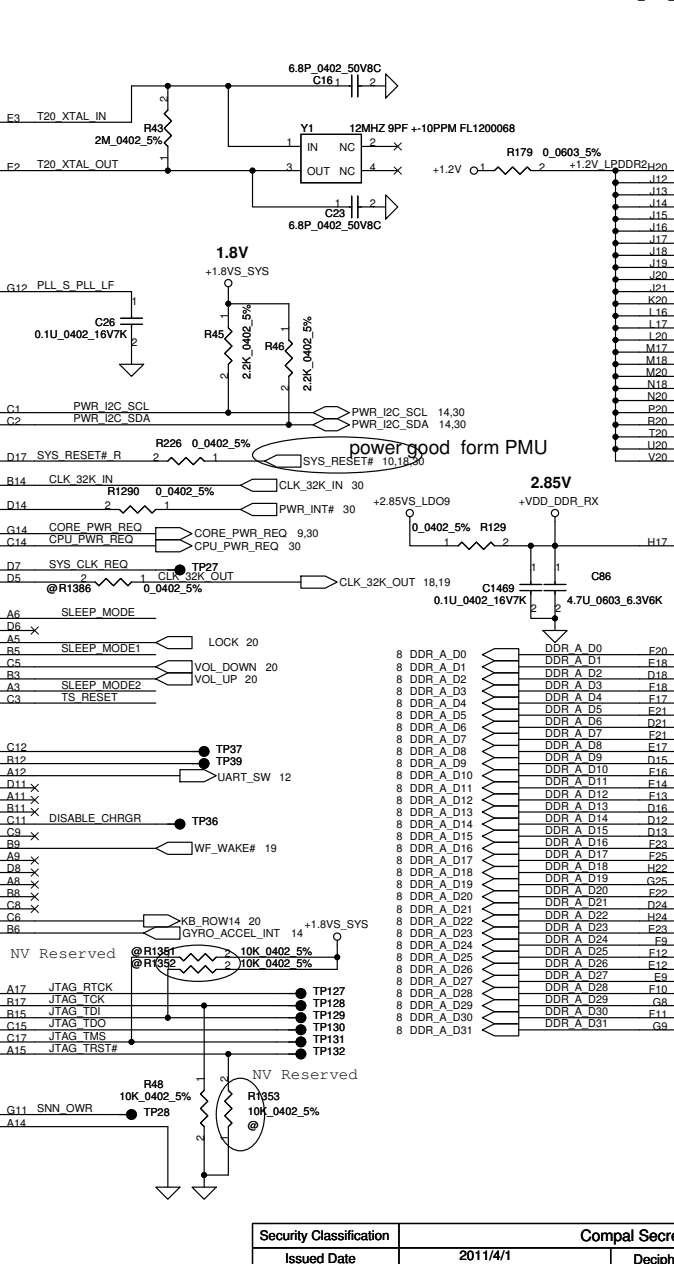
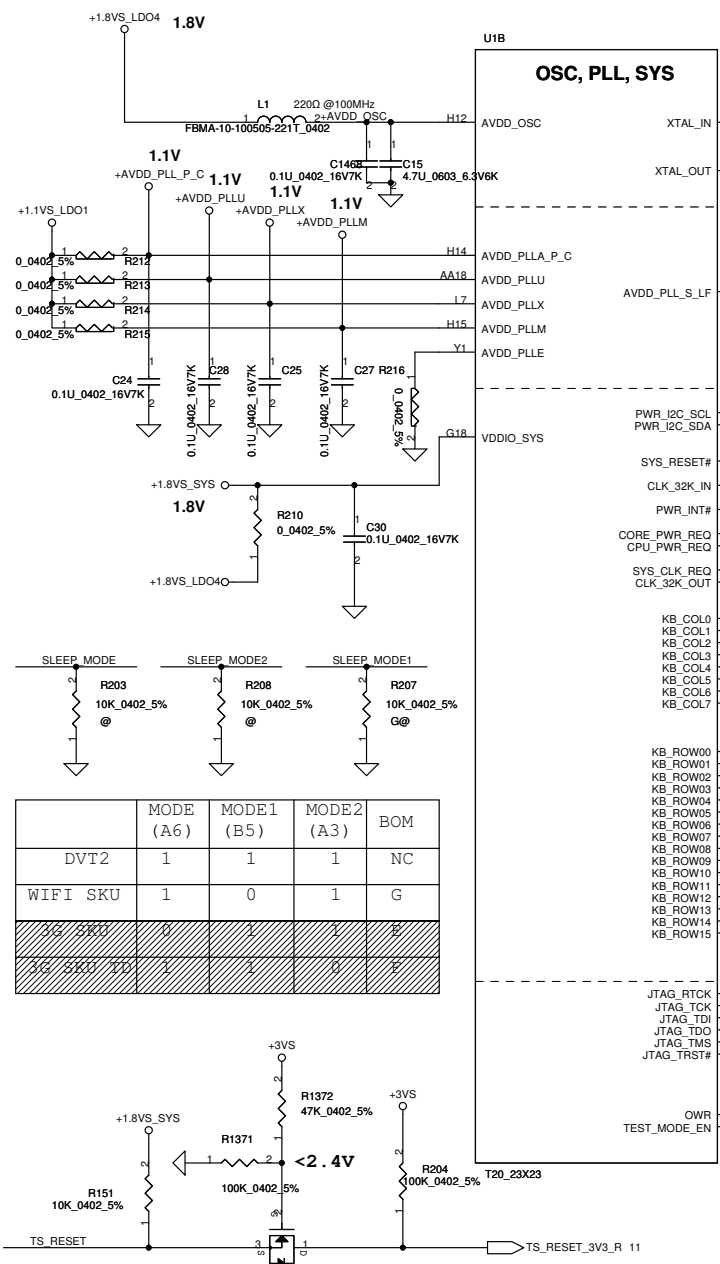
Name	Active
EC_WAKE#	low
EXIT_LPO	High

Name	Active
CAM2_RST#	Low
CAM2_OE	low

H:force_recover mode
L:normal mode

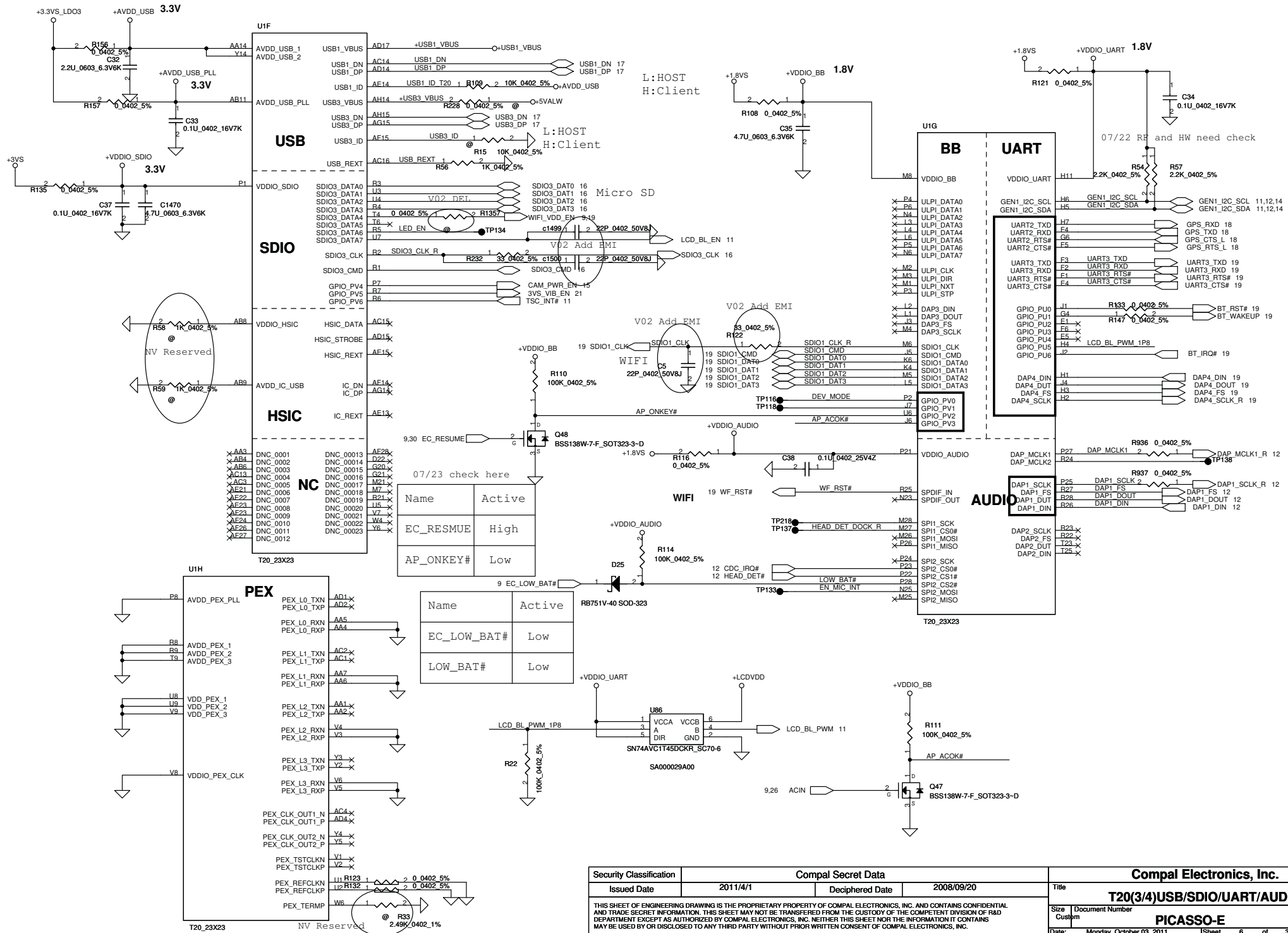
	ELPIDA	ELPIDA	HUNIX	HUNIX
RAM	1GB	512MB	512MB	1GB
NAND_D4	0	0	1	1
NAND_D5	AC	BC	AD	BD
BOM				

Security Classification		Compal Secret Data		Compal Electronics, Inc.	
Issued Date	2011/4/1	Deciphered Date	2008/09/20	Title	
THIS SHEET OF ENGINEERING DRAWING IS THE PROPRIETARY PROPERTY OF COMPAL ELECTRONICS, INC. AND CONTAINS CONFIDENTIAL AND TRADE SECRET INFORMATION. THIS SHEET MAY NOT BE TRANSFERRED FROM THE CUSTODY OF THE COMPETENT DIVISION OF R&D DEPARTMENT EXCEPT AS AUTHORIZED BY COMPAL ELECTRONICS, INC. NEITHER THIS SHEET NOR THE INFORMATION IT CONTAINS MAY BE USED BY OR DISCLOSED TO ANY THIRD PARTY WITHOUT PRIOR WRITTEN CONSENT OF COMPAL ELECTRONICS, INC.				T20(1/4)LCD/CRT/HDMI/NAND	
Size	C	Document Number	PICASSO-E		Rev 0.1
Date:	Monday, October 03, 2011	Sheet	4	of	32



	MODE (A6)	MODE1 (B5)	MODE2 (A3)	BOM
DVT2	1	1	1	NC
WIFI SKU	1	0	1	G
IG SKU	0	1	0	E
IC SKU	1	1	0	F

Security Classification	Compal Secret Data	Title	
Issued Date	2011/4/1	T20(2/4)OSC/PLL/SYS/DDR	
	Deciphered Date	2008/09/20	
THIS SHEET OF ENGINEERING DRAWING IS THE PROPRIETARY PROPERTY OF COMPAL ELECTRONICS, INC. AND CONTAINS CONFIDENTIAL AND TRADE SECRET INFORMATION. THIS SHEET MAY NOT BE TRANSFERRED FROM THE CUSTODY OF THE COMPETENT DIVISION OF R&D DEPARTMENT EXCEPT AS AUTHORIZED BY COMPAL ELECTRONICS, INC. NEITHER THIS SHEET NOR THE INFORMATION IT CONTAINS MAY BE USED BY OR DISCLOSED TO ANY THIRD PARTY WITHOUT PRIOR WRITTEN CONSENT OF COMPAL ELECTRONICS, INC.			
Size	Document Number	Rev	
Custom	PICASSO-E	0.1	
Date:	Monday, October 03, 2011	Sheet	5 of 32



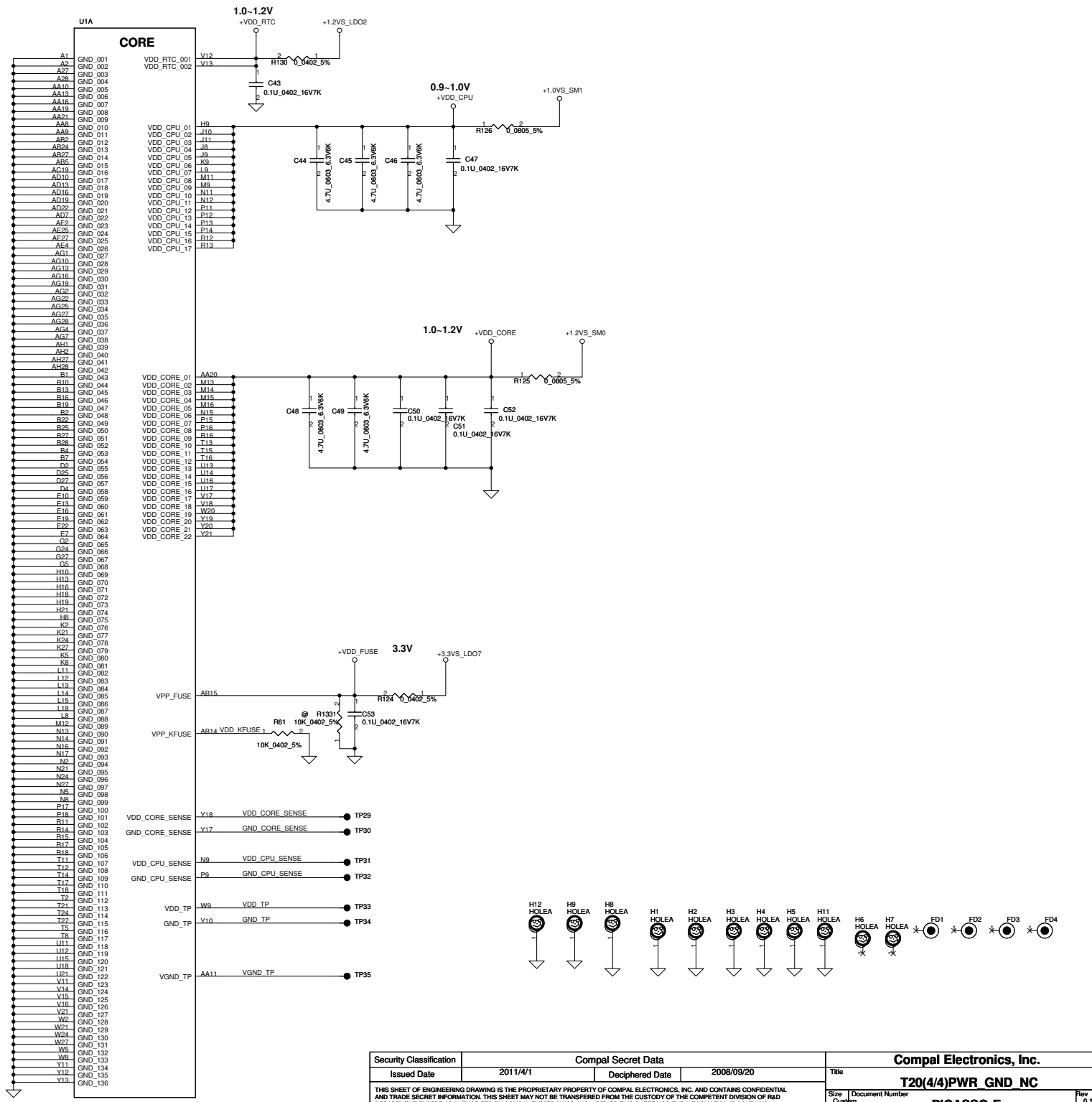
Name	Active
EC_RESUME	High
AP_ONKEY#	Low

Name	Active
EC_LOW_BAT#	Low
LOW_BAT#	Low

Security Classification		Compal Secret Data	
Issued Date	2011/4/1	Deciphered Date	2008/09/20

THIS SHEET OF ENGINEERING DRAWING IS THE PROPRIETARY PROPERTY OF COMPAL ELECTRONICS, INC. AND CONTAINS CONFIDENTIAL AND TRADE SECRET INFORMATION. THIS SHEET MAY NOT BE TRANSFERRED FROM THE CUSTODY OF THE COMPETENT DIVISION OF R&D DEPARTMENT EXCEPT AS AUTHORIZED BY COMPAL ELECTRONICS, INC. NEITHER THIS SHEET NOR THE INFORMATION IT CONTAINS MAY BE USED BY OR DISCLOSED TO ANY THIRD PARTY WITHOUT PRIOR WRITTEN CONSENT OF COMPAL ELECTRONICS, INC.

Compal Electronics, Inc.			
T20(3/4)USB/SDIO/UART/AUDIO			
Size	Document Number	Rev	
Custom	PICASSO-E		0.1
Date:	Monday, October 03, 2011	Sheet	6 of 32



T20_23X23

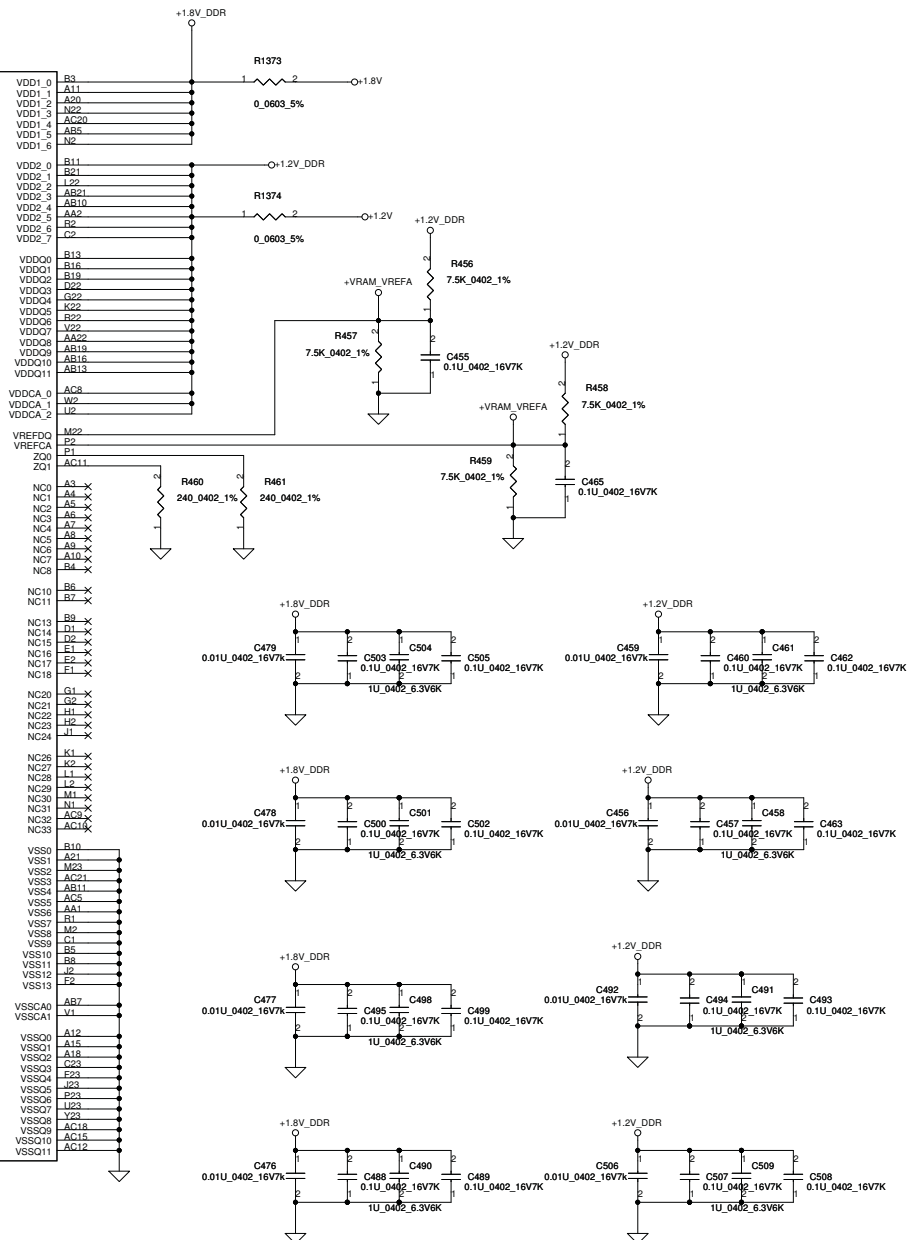
Security Classification		Compal Secret Data		Compal Electronics, Inc.	
Issued Date	2011/4/1	Deciphered Date	2008/09/20	Title	T20(4/4)PWR GND NC
THIS SHEET OF ENGINEERING DRAWING IS THE PROPRIETARY PROPERTY OF COMPAL ELECTRONICS, INC. AND CONTAINS CONFIDENTIAL AND TRADE SECRET INFORMATION. THIS SHEET MAY NOT BE TRANSFERRED FROM THE CUSTODY OF THE COMPETENT DIVISION OF R&D DEPARTMENT EXCEPT AS AUTHORIZED BY COMPAL ELECTRONICS, INC. NEITHER THIS SHEET NOR THE INFORMATION IT CONTAINS MAY BE USED BY OR DISCLOSED TO ANY THIRD PARTY WITHOUT PRIOR WRITTEN CONSENT OF COMPAL ELECTRONICS, INC.					
Size	Document Number	PICASO-E		Rev	0.1
Date:	Monday, October 03, 2011	Sheet	7	of	32

U129

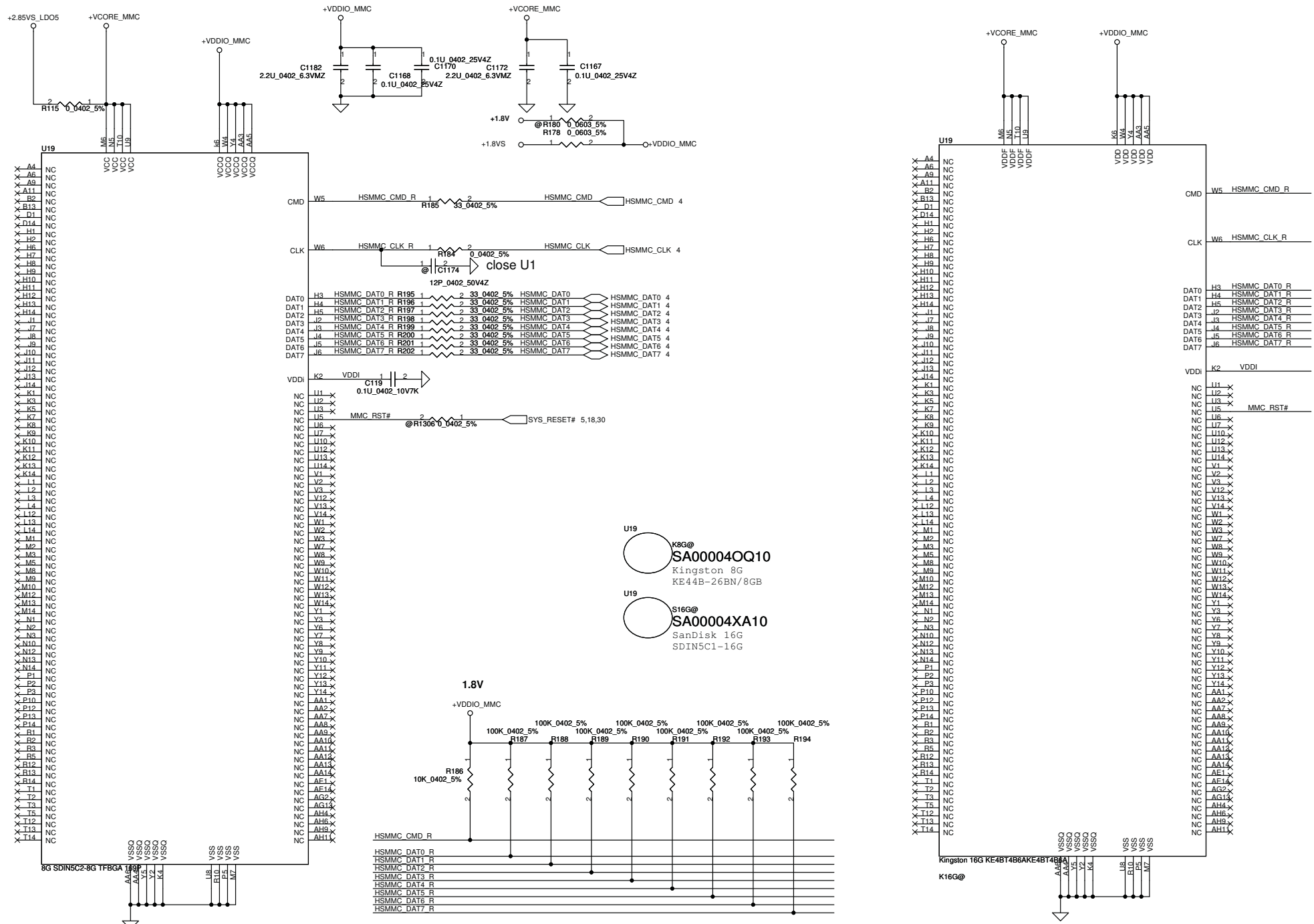
5	DDR_A_MA9	DDR_A_MA9	T1	CA9
5	DDR_A_MA8	DDR_A_MA8	T2	CA8
5	DDR_A_MA7	DDR_A_MA7	U1	CA7
5	DDR_A_MA6	DDR_A_MA6	V2	CA6
5	DDR_A_MA5	DDR_A_MA5	W1	CA5
5	DDR_A_MA4	DDR_A_MA4	AB9	CA4
5	DDR_A_MA3	DDR_A_MA3	AB8	CA3
5	DDR_A_MA2	DDR_A_MA2	AC7	CA2
5	DDR_A_MA1	DDR_A_MA1	AB6	CA1
5	DDR_A_MA0	DDR_A_MA0	AC6	CA0
5	M_CS#0	M_CS#0	AB3	CS0#
5	M_CS#1	M_CS#1	AB4	CS1#
5	M_CLK_DDR0	M_CLK_DDR0	Y2	CK
5	M_CLK_DDR#0	M_CLK_DDR#0	X1	CK#
5	M_CKE0	M_CKE0	AC3	CKE0
5	M_CKE1	M_CKE1	AC4	CKE1
5	DDR_A_DQS3	DDR_A_DQS3	B18	DQS3
5	DDR_A_DQS#3	DDR_A_DQS#3	A19	DQS3#
5	DDR_A_DQS2	DDR_A_DQS2	AB18	DQS2
5	DDR_A_DQS#2	DDR_A_DQS#2	AC19	DQS2#
5	DDR_A_DQS1	DDR_A_DQS1	J22	DQS1
5	DDR_A_DQS#1	DDR_A_DQS#1	K23	DQS1#
5	DDR_A_DQS0	DDR_A_DQS0	R23	DQS0
5	DDR_A_DQS#0	DDR_A_DQS#0	P22	DQS0#
5	DDR_A_DM3	DDR_A_DM3	R20	DM3
5	DDR_A_DM2	DDR_A_DM2	AB20	DM2
5	DDR_A_DM1	DDR_A_DM1	L23	DM1
5	DDR_A_DM0	DDR_A_DM0	N23	DM0
5	DDR_A_D31	DDR_A_D31	B12	DQ31
5	DDR_A_D30	DDR_A_D30	A13	DQ30
5	DDR_A_D29	DDR_A_D29	B14	DQ29
5	DDR_A_D28	DDR_A_D28	B14	DQ28
5	DDR_A_D27	DDR_A_D27	B15	DQ27
5	DDR_A_D26	DDR_A_D26	A16	DQ26
5	DDR_A_D25	DDR_A_D25	A17	DQ25
5	DDR_A_D24	DDR_A_D24	B17	DQ24
5	DDR_A_D23	DDR_A_D23	AC17	DQ23
5	DDR_A_D22	DDR_A_D22	AB17	DQ22
5	DDR_A_D21	DDR_A_D21	AC16	DQ21
5	DDR_A_D20	DDR_A_D20	AB15	DQ20
5	DDR_A_D19	DDR_A_D19	AC14	DQ19
5	DDR_A_D18	DDR_A_D18	AB14	DQ18
5	DDR_A_D17	DDR_A_D17	AC13	DQ17
5	DDR_A_D16	DDR_A_D16	AB12	DQ16
5	DDR_A_D15	DDR_A_D15	C22	DQ15
5	DDR_A_D14	DDR_A_D14	D23	DQ14
5	DDR_A_D13	DDR_A_D13	E23	DQ13
5	DDR_A_D12	DDR_A_D12	E22	DQ12
5	DDR_A_D11	DDR_A_D11	F22	DQ11
5	DDR_A_D10	DDR_A_D10	G23	DQ10
5	DDR_A_D9	DDR_A_D9	H23	DQ9
5	DDR_A_D8	DDR_A_D8	H22	DQ8
5	DDR_A_D7	DDR_A_D7	T23	DQ7
5	DDR_A_D6	DDR_A_D6	T22	DQ6
5	DDR_A_D5	DDR_A_D5	U22	DQ5
5	DDR_A_D4	DDR_A_D4	V23	DQ4
5	DDR_A_D3	DDR_A_D3	W23	DQ3
5	DDR_A_D2	DDR_A_D2	W22	DQ2
5	DDR_A_D1	DDR_A_D1	Y22	DQ1
5	DDR_A_D0	DDR_A_D0	AA23	DQ0

X_A1	DNU0
X_A2	DNU1
X_A22	DNU2
X_A23	DNU3
X_B1	DNU4
X_B2	DNU5
X_B22	DNU6
X_B23	DNU7
X_B3	DNU8
X_B32	DNU9
X_B33	DNU10
X_C1	DNU11
X_C2	DNU12
X_C22	DNU13
X_C23	DNU14
X_C3	DNU15

MT46H64M32L2JG-5IT-A_FPGA168 LPDDR2@



Security Classification	Compal Secret Data		Compal Electronics, Inc.	
Issued Date	2011/4/1	Deciphered Date	2008/09/20	Title
THIS SHEET OF ENGINEERING DRAWING IS THE PROPRIETARY PROPERTY OF COMPAL ELECTRONICS, INC. AND CONTAINS CONFIDENTIAL AND TRADE SECRET INFORMATION. THIS SHEET MAY NOT BE TRANSFERRED FROM THE CUSTODY OF THE COMPETENT DIVISION OF R&D DEPARTMENT EXCEPT AS AUTHORIZED BY COMPAL ELECTRONICS, INC. NEITHER THIS SHEET NOR THE INFORMATION IT CONTAINS MAY BE USED BY OR DISCLOSED TO ANY THIRD PARTY WITHOUT PRIOR WRITTEN CONSENT OF COMPAL ELECTRONICS, INC.				DDR1I-DEVICE DOWN(1/2)
Size	Document Number	PICASSO-E		Rev
Date:	Monday, October 03, 2011	Sheet	8	of 32



Security Classification	Compal Secret Data			Title	
Issued Date	2011/4/1	Deciphered Date	2008/09/20	EMMC	
THIS SHEET OF ENGINEERING DRAWING IS THE PROPRIETARY PROPERTY OF COMPAL ELECTRONICS, INC. AND CONTAINS CONFIDENTIAL AND TRADE SECRET INFORMATION. THIS SHEET MAY NOT BE TRANSFERRED FROM THE CUSTODY OF THE COMPETENT DIVISION OF R&D DEPARTMENT EXCEPT AS AUTHORIZED BY COMPAL ELECTRONICS, INC. NEITHER THIS SHEET NOR THE INFORMATION IT CONTAINS MAY BE USED BY OR DISCLOSED TO ANY THIRD PARTY WITHOUT PRIOR WRITTEN CONSENT OF COMPAL ELECTRONICS, INC.					
Size	Document Number	Date		Picasso-E	
Custom		Monday, October 03, 2011	10	Sheet 10 of 32	

Compal Electronics, Inc.

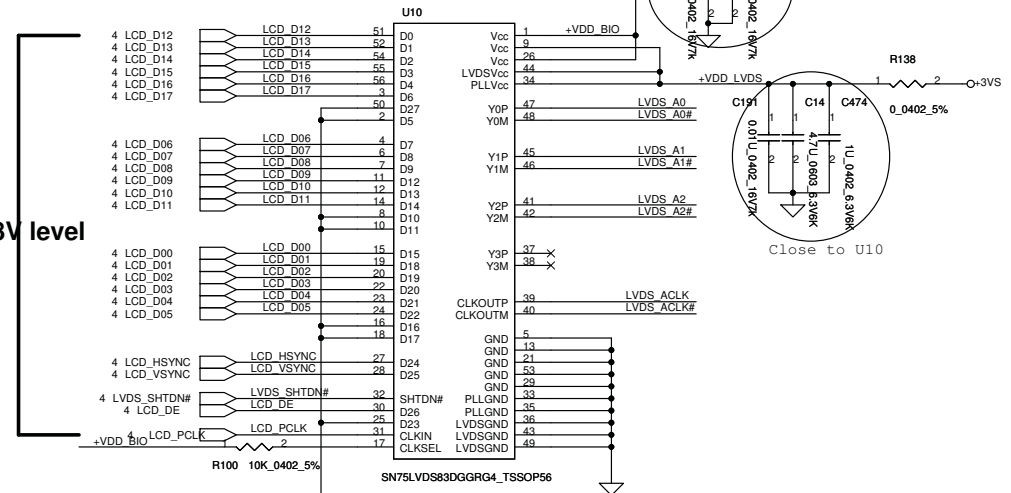
EMMC

PICASSO-E

Rev 0.1

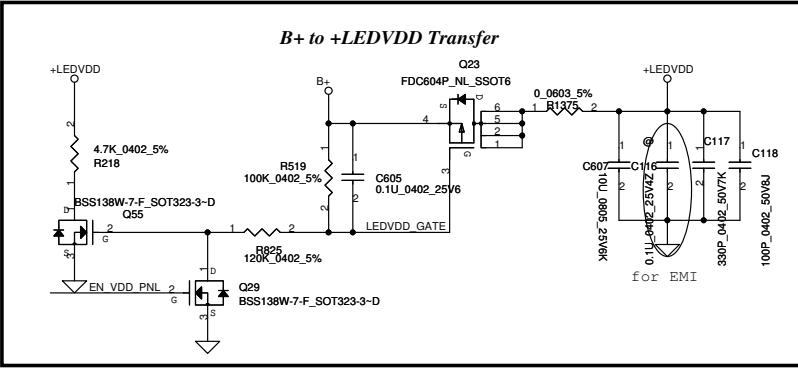
LED flash
7/1 del1 D26

LVDS Bridge



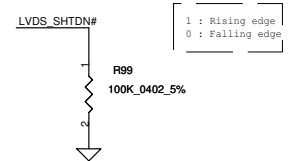
1.8V level

LCD D12	@C1433	33P 50V J NPO 0201
LCD D13	@C1434	33P 50V J NPO 0201
LCD D14	@C1435	33P 50V J NPO 0201
LCD D15	@C1436	33P 50V J NPO 0201
LCD D16	@C1437	33P 50V J NPO 0201
LCD D17	@C1438	33P 50V J NPO 0201
LCD D06	@C1439	33P 50V J NPO 0201
LCD D07	@C1440	33P 50V J NPO 0201
LCD D08	@C1441	33P 50V J NPO 0201
LCD D09	@C1442	33P 50V J NPO 0201
LCD D10	@C1443	33P 50V J NPO 0201
LCD D11	@C1444	33P 50V J NPO 0201
LCD D00	@C1445	33P 50V J NPO 0201
LCD D01	@C1446	33P 50V J NPO 0201
LCD D02	@C1447	33P 50V J NPO 0201
LCD D03	@C1448	33P 50V J NPO 0201
LCD D04	@C1449	33P 50V J NPO 0201
LCD D05	@C1450	33P 50V J NPO 0201
LCD HSYNC	@C1451	33P 50V J NPO 0201
LCD VSYNC	@C1452	33P 50V J NPO 0201
LCD DE	@C1453	33P 50V J NPO 0201

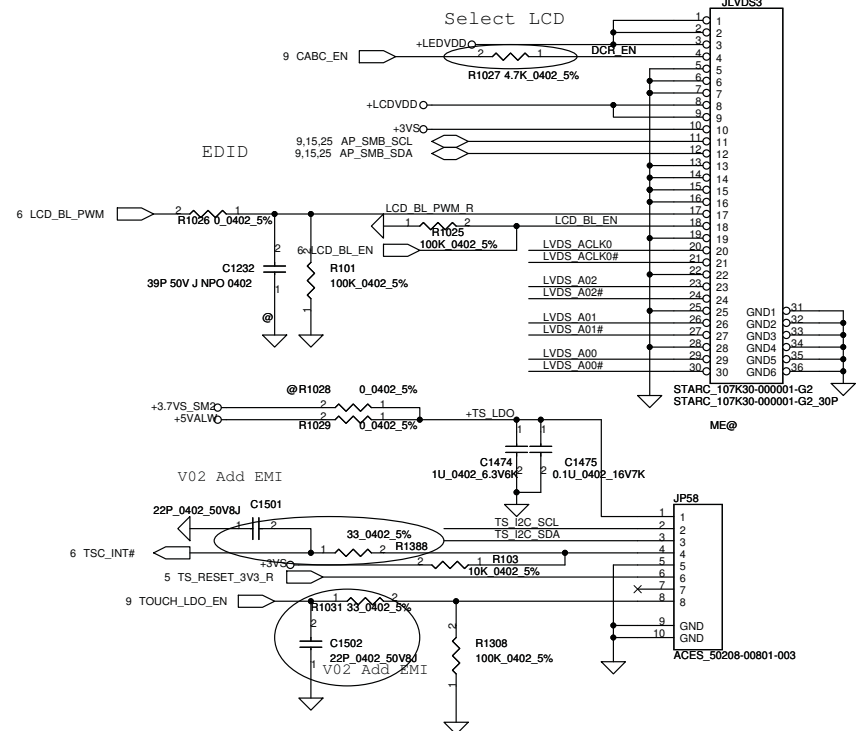
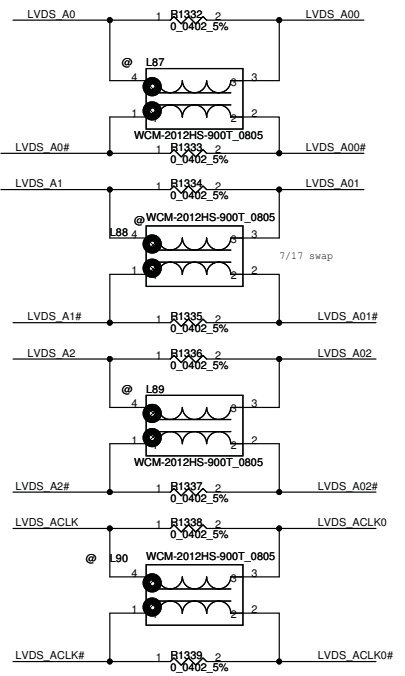
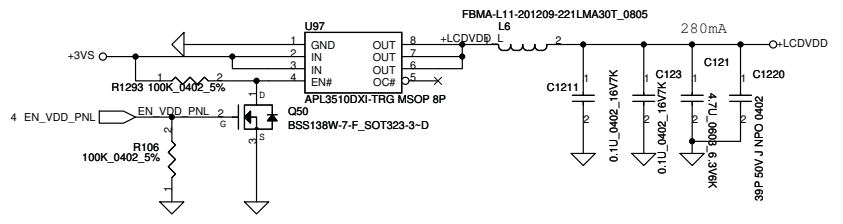


LVDS A00	C101	1	2	12P 0402_50V4Z
LVDS A00#	C102	1	2	12P 0402_50V4Z
LVDS A01	C103	1	2	12P 0402_50V4Z
LVDS A01#	C104	1	2	12P 0402_50V4Z
LVDS A02	C105	1	2	12P 0402_50V4Z
LVDS A02#	C106	1	2	12P 0402_50V4Z
LVDS ACLK0	C107	1	2	12P 0402_50V4Z
LVDS ACLK0#	C108	1	2	12P 0402_50V4Z

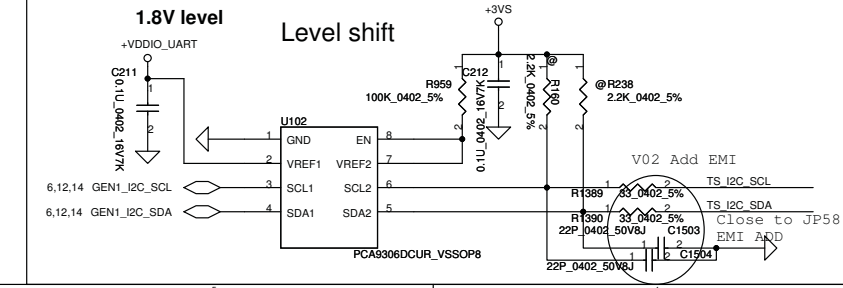
for EMI
Close JLVD53



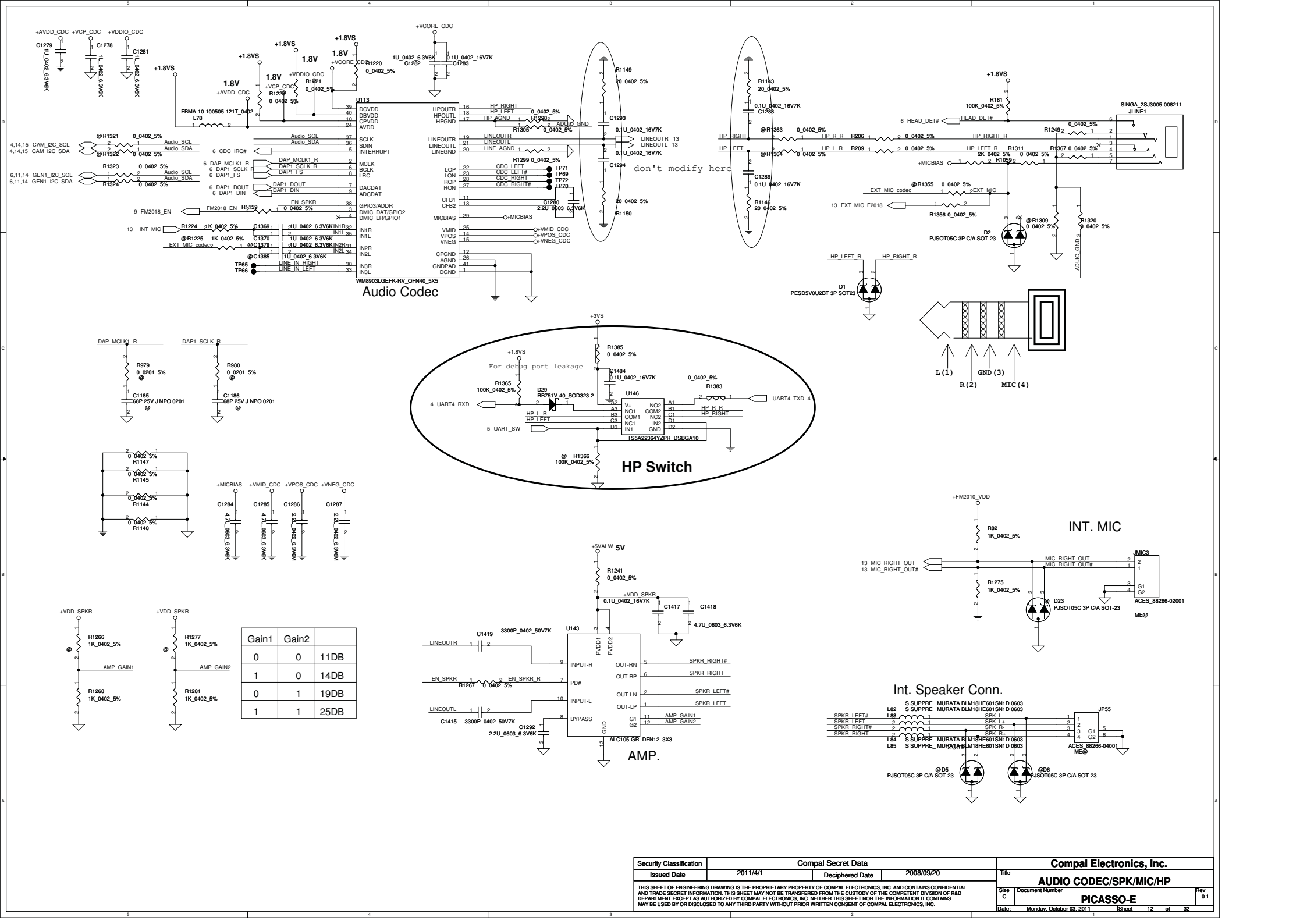
LCD POWER CIRCUIT

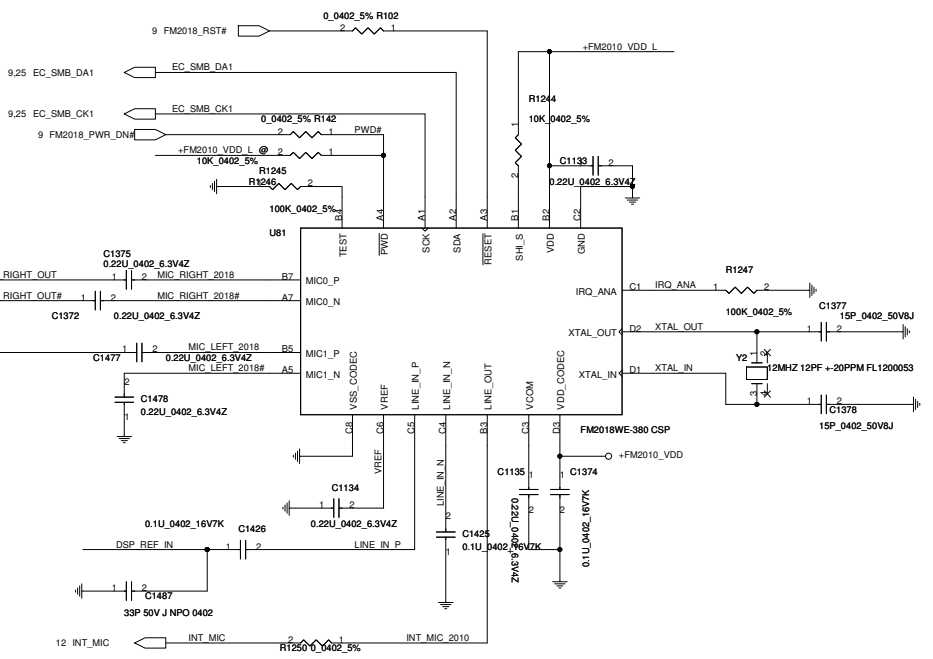
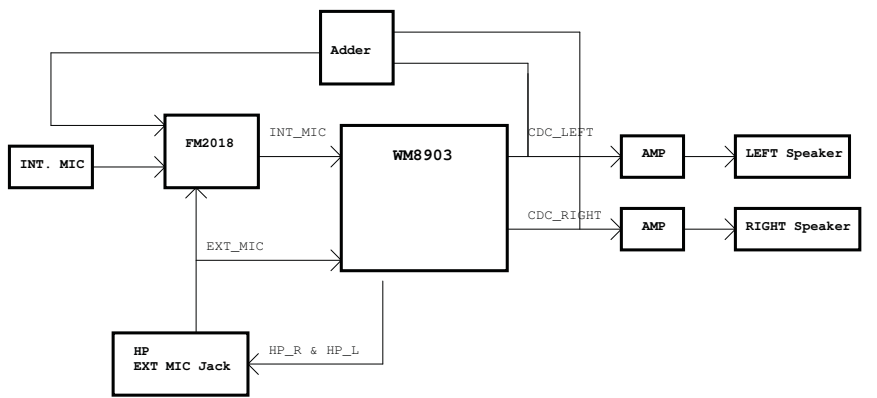
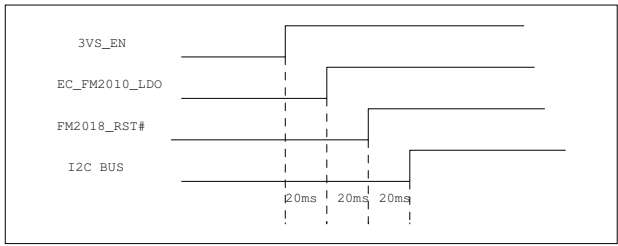
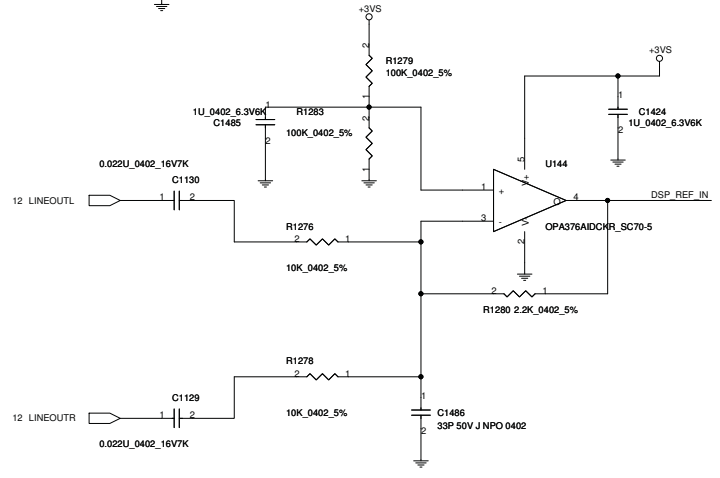
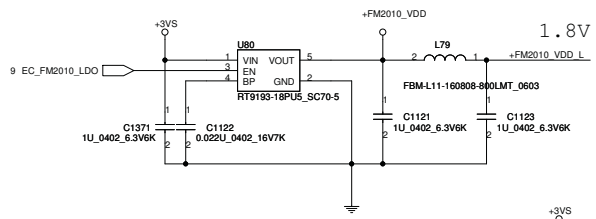


Level shift

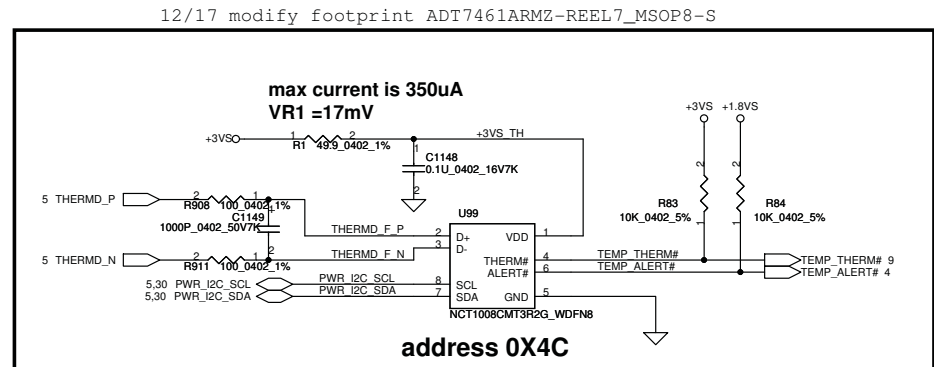
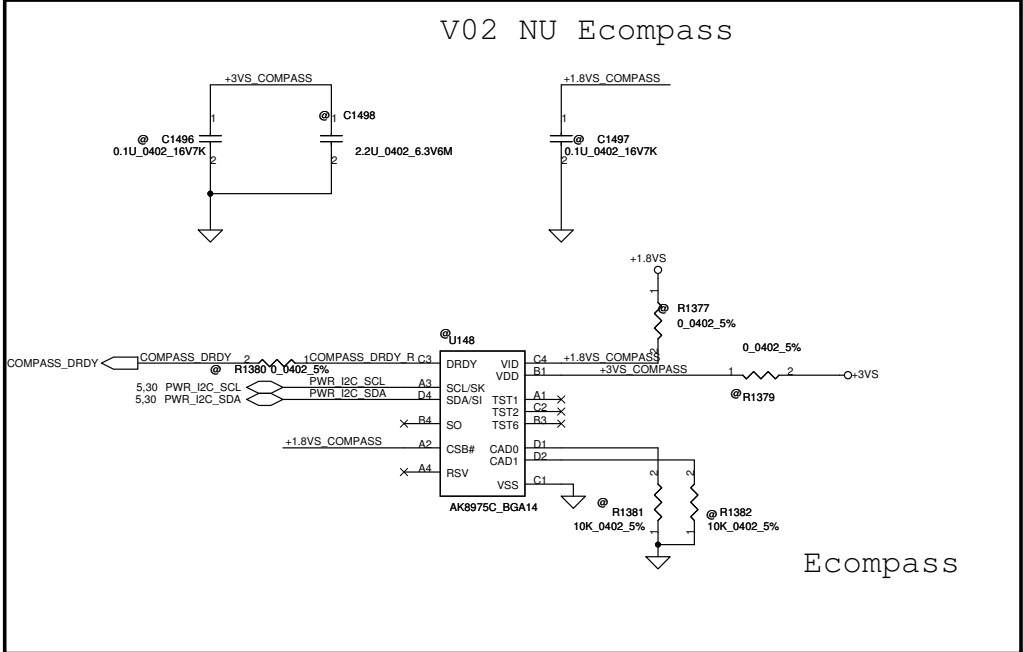
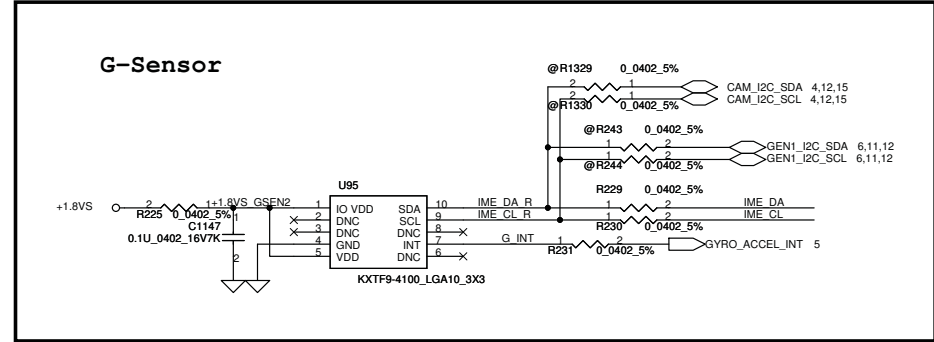
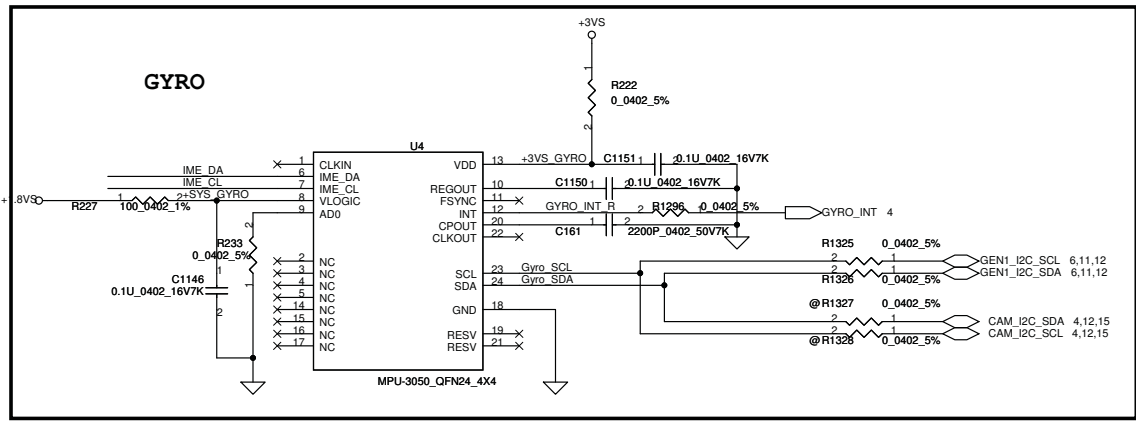


Security Classification	Compal Secret Data		Title	
Issued Date	2011/4/1	Deciphered Date	2008/09/20	LCD PANEL
THIS SHEET OF ENGINEERING DRAWING IS THE PROPRIETARY PROPERTY OF COMPAL ELECTRONICS, INC. AND CONTAINS CONFIDENTIAL AND TRADE SECRET INFORMATION. THIS SHEET MAY NOT BE TRANSFERRED FROM THE CUSTODY OF THE COMPETENT DIVISION OF R&D DEPARTMENT EXCEPT AS AUTHORIZED BY COMPAL ELECTRONICS, INC. NEITHER THIS SHEET NOR THE INFORMATION IT CONTAINS MAY BE USED BY OR DISCLOSED TO ANY THIRD PARTY WITHOUT PRIOR WRITTEN CONSENT OF COMPAL ELECTRONICS, INC.				
Date: Monday, October 03, 2011				Rev 0.1
Sheet 11				of 32

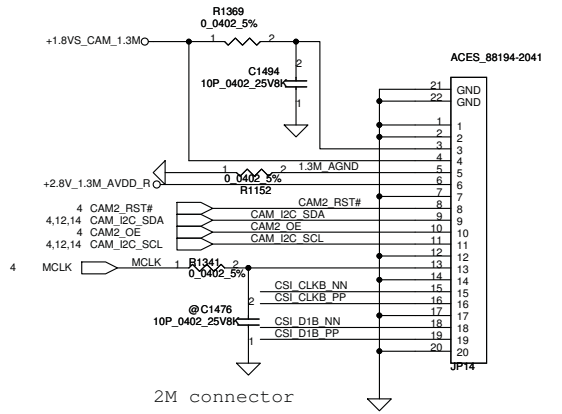
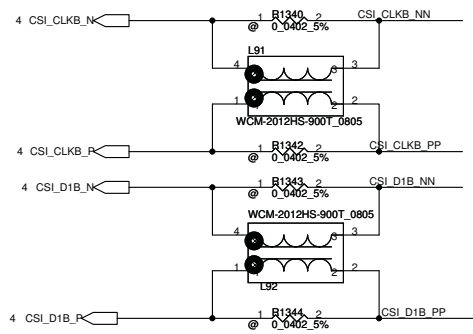
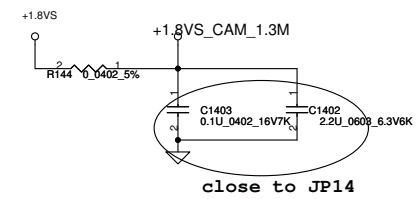
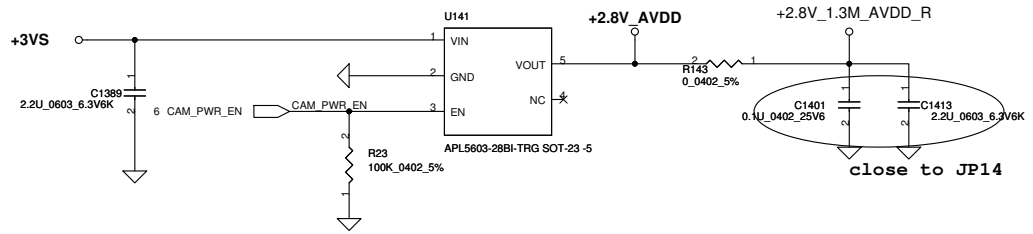
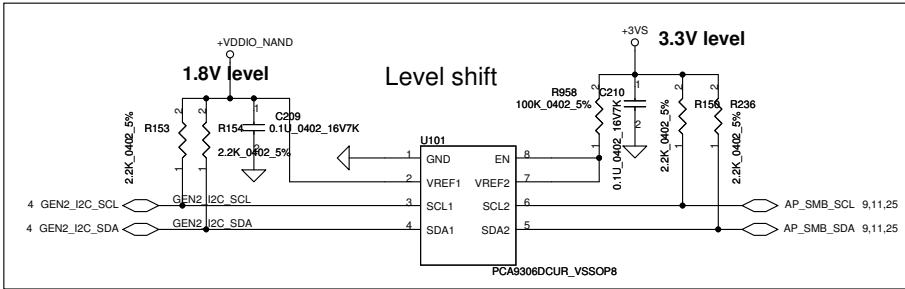




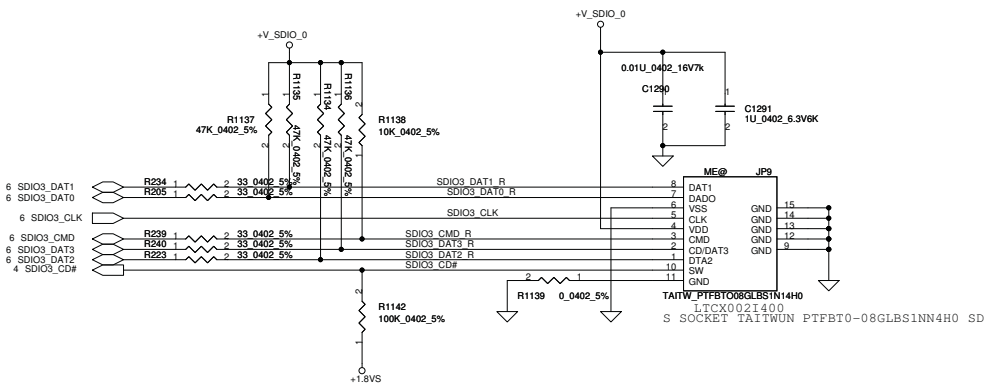
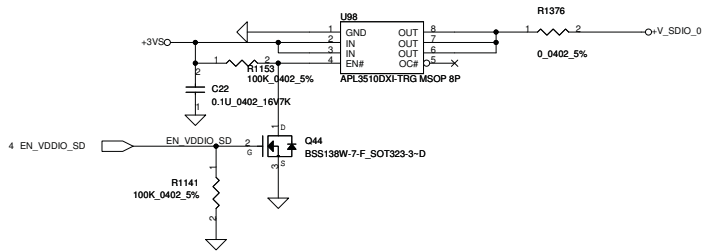
Security Classification	Compal Secret Data		Compal Electronics, Inc.	
Issued Date	2011/4/1	Deciphered Date	2008/09/20	Title
THIS SHEET OF ENGINEERING DRAWING IS THE PROPRIETARY PROPERTY OF COMPAL ELECTRONICS, INC. AND CONTAINS CONFIDENTIAL AND TRADE SECRET INFORMATION. THIS SHEET MAY NOT BE TRANSFERRED FROM THE CUSTODY OF THE COMPETENT DIVISION OF R&D DEPARTMENT EXCEPT AS AUTHORIZED BY COMPAL ELECTRONICS, INC. NEITHER THIS SHEET NOR THE INFORMATION IT CONTAINS MAY BE USED BY OR DISCLOSED TO ANY THIRD PARTY WITHOUT PRIOR WRITTEN CONSENT OF COMPAL ELECTRONICS, INC.				FM2010 Size Document Number PICASSO-E Date: Monday, October 03, 2011 Sheet 13 of 32



Security Classification	Compal Secret Data			Compal Electronics, Inc.
Issued Date	2011/4/1	Deciphered Date	2008/09/20	G-SENSOR/THERMAL/ECOMPASS
THIS SHEET OF ENGINEERING DRAWING IS THE PROPRIETARY PROPERTY OF COMPAL ELECTRONICS, INC. AND CONTAINS CONFIDENTIAL AND TRADE SECRET INFORMATION. THIS SHEET MAY NOT BE TRANSFERRED FROM THE CUSTODY OF THE COMPETENT DIVISION OF R&D DEPARTMENT EXCEPT AS AUTHORIZED BY COMPAL ELECTRONICS, INC. NEITHER THIS SHEET NOR THE INFORMATION IT CONTAINS MAY BE USED BY OR DISCLOSED TO ANY THIRD PARTY WITHOUT PRIOR WRITTEN CONSENT OF COMPAL ELECTRONICS, INC.				Title Size Custom Date: Monday, October 03, 2011
14 of 32				Rev PICASSO-E 0.1

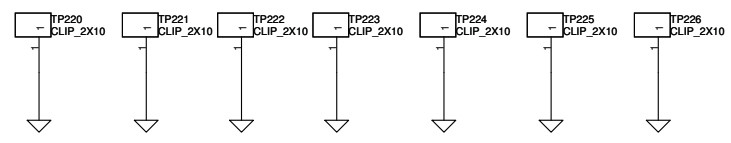
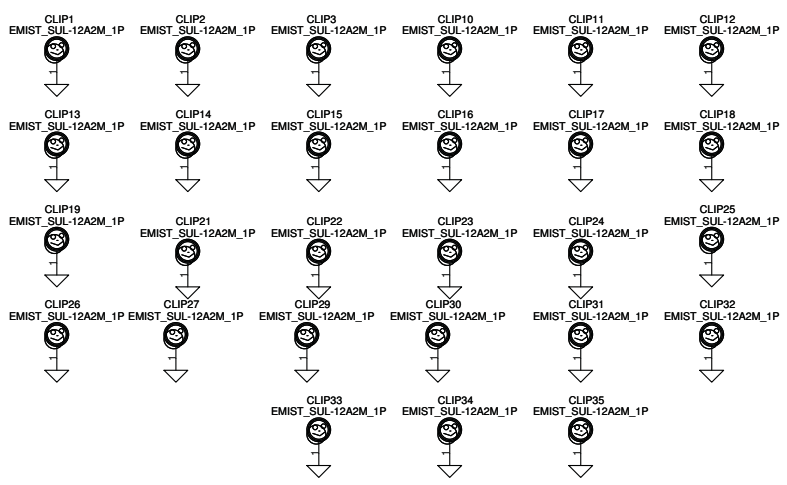
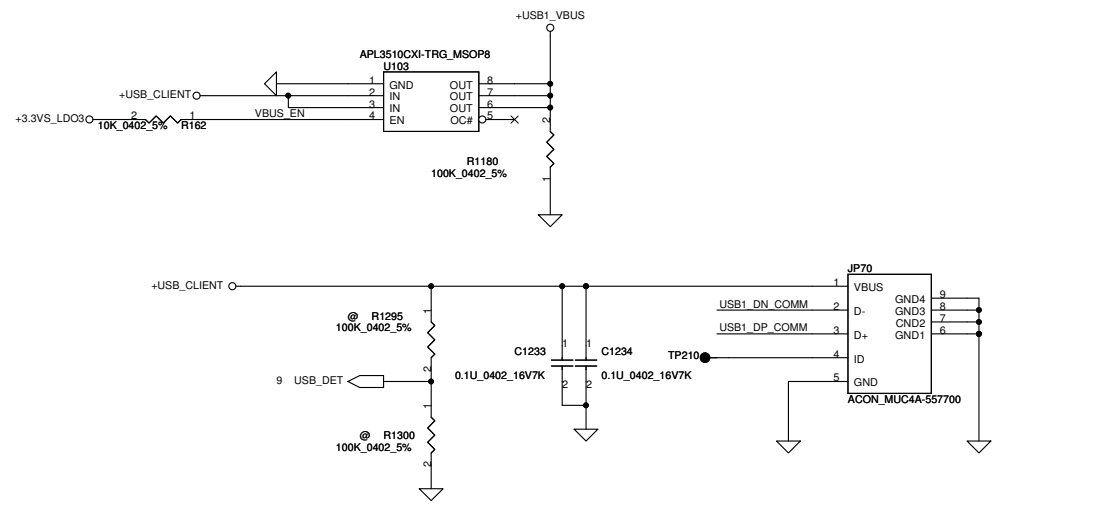
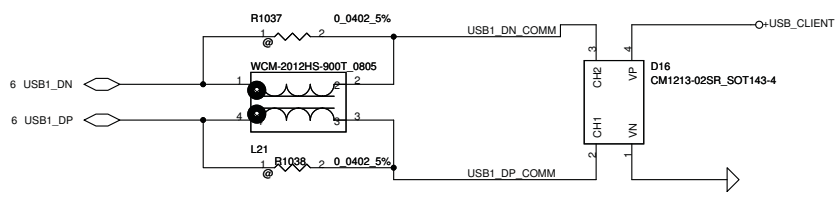
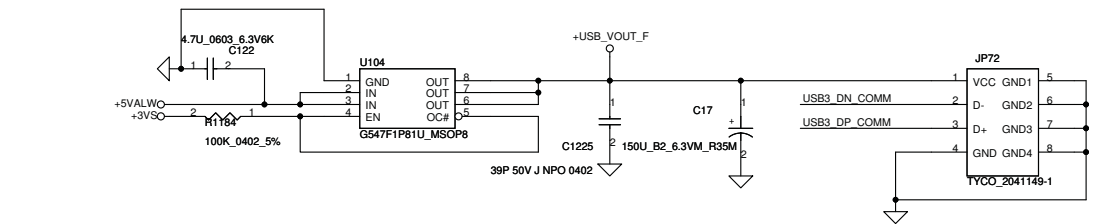
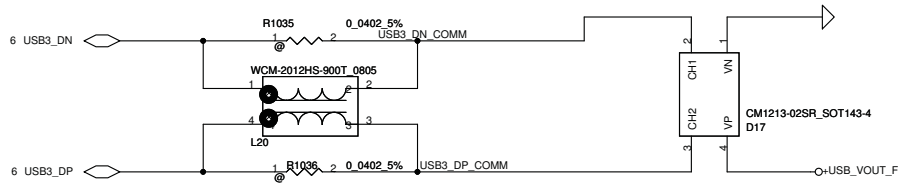


Security Classification	Compal Secret Data			Compal Electronics, Inc.		
Issued Date	2011/4/1	Deciphered Date	2008/09/20	Title		
THIS SHEET OF ENGINEERING DRAWING IS THE PROPRIETARY PROPERTY OF COMPAL ELECTRONICS, INC. AND CONTAINS CONFIDENTIAL AND TRADE SECRET INFORMATION. THIS SHEET MAY NOT BE TRANSFERRED FROM THE CUSTODY OF THE COMPETENT DIVISION OF R&D DEPARTMENT EXCEPT AS AUTHORIZED BY COMPAL ELECTRONICS, INC. NEITHER THIS SHEET NOR THE INFORMATION IT CONTAINS MAY BE USED BY OR DISCLOSED TO ANY THIRD PARTY WITHOUT PRIOR WRITTEN CONSENT OF COMPAL ELECTRONICS, INC.				1.3M CAMERA		
				Size	Document Number	Rev
				Custom	PICASSO-E	0.1
				Date:	Monday, October 03, 2011	Sheet 15 of 32

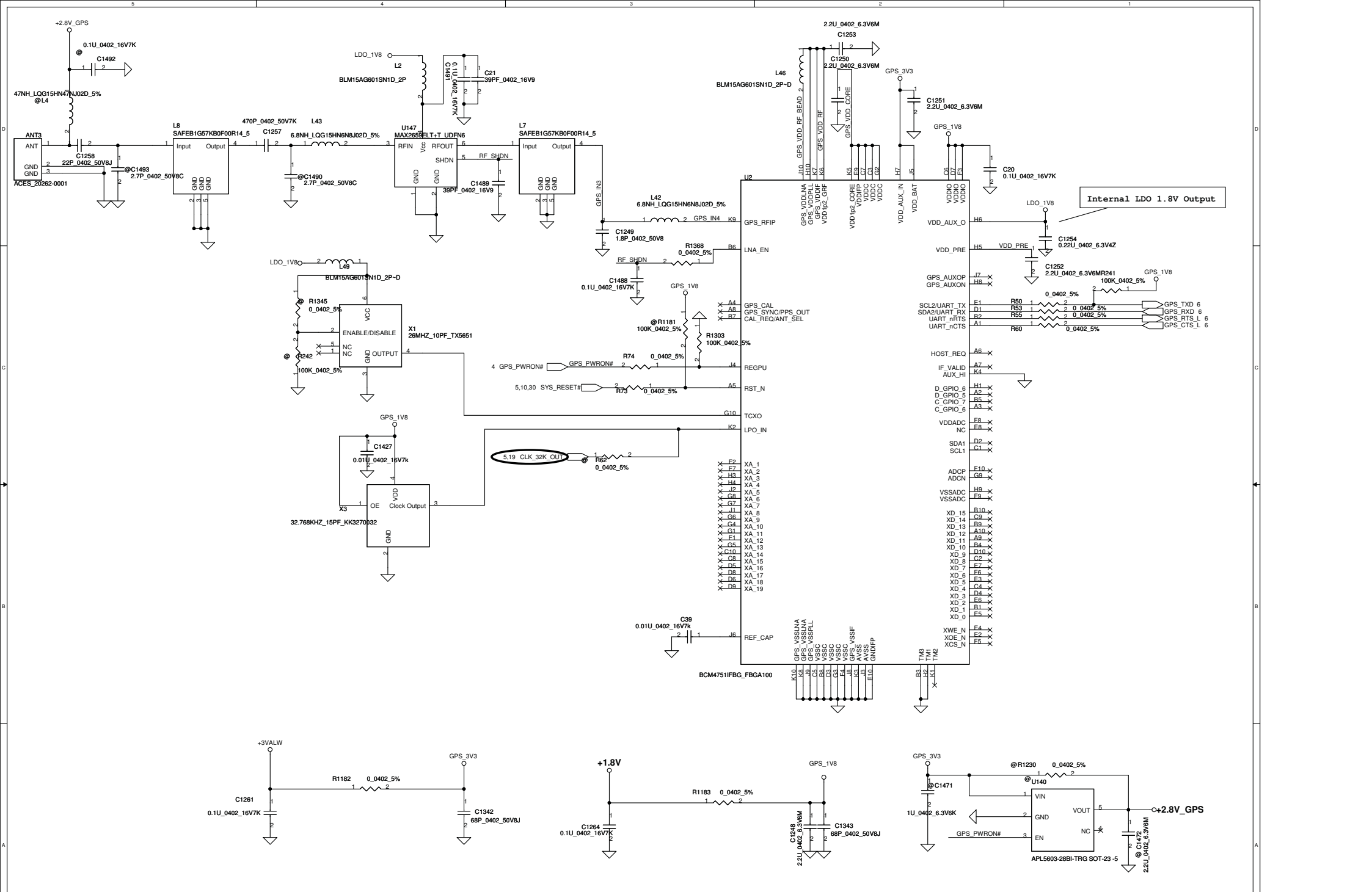


SDIO3 DAT0 R C1479 @ 2 10P_0402_25V8K
 SDIO3 DAT1 R C1480 @ 2 10P_0402_25V8K
 SDIO3 DAT2 R C1481 @ 2 10P_0402_25V8K
 SDIO3 DAT3 R C1482 @ 2 10P_0402_25V8K
 SDIO3 CLK C1483 @ 2 10P_0402_25V8K
Close JP9 for EMI

Security Classification		Compal Secret Data		Compal Electronics, Inc.	
Issued Date		2011/4/1	Deciphered Date	2008/09/20	Title
THIS SHEET OF ENGINEERING DRAWING IS THE PROPRIETARY PROPERTY OF COMPAL ELECTRONICS, INC. AND CONTAINS CONFIDENTIAL AND TRADE SECRET INFORMATION. THIS SHEET MAY NOT BE TRANSFERRED FROM THE CUSTODY OF THE COMPETENT DIVISION OF R&D DEPARTMENT EXCEPT AS AUTHORIZED BY COMPAL ELECTRONICS, INC. NEITHER THIS SHEET NOR THE INFORMATION IT CONTAINS MAY BE USED BY OR DISCLOSED TO ANY THIRD PARTY WITHOUT PRIOR WRITTEN CONSENT OF COMPAL ELECTRONICS, INC.					SD Card
Size	C	Document Number	PICASSO-E		Rev 0.1
Date:		Monday, October 03, 2011	Sheet	16	of 32

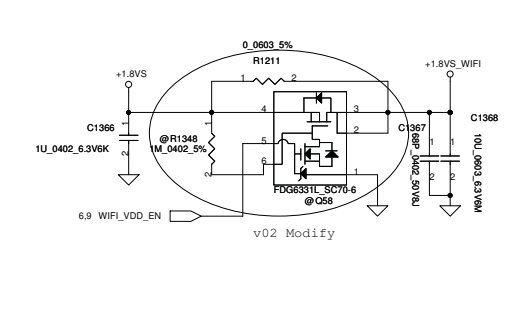
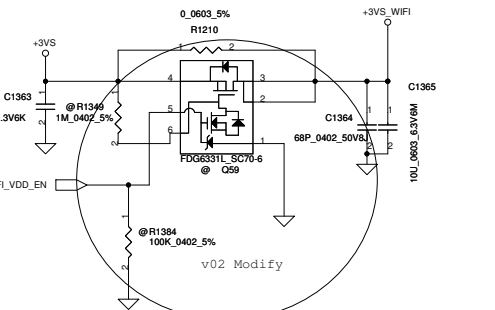
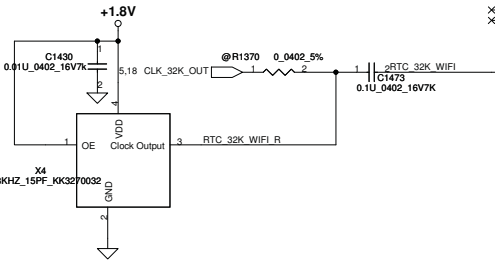
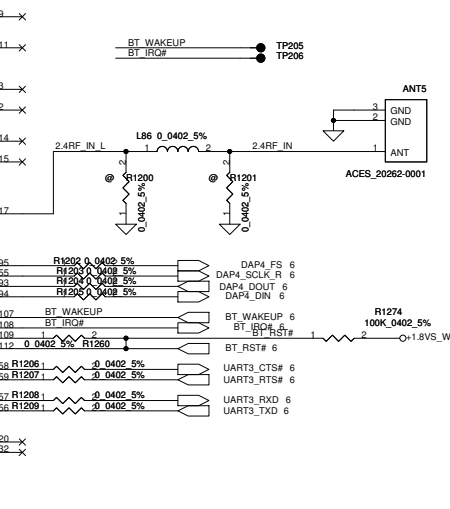
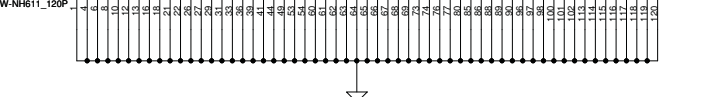
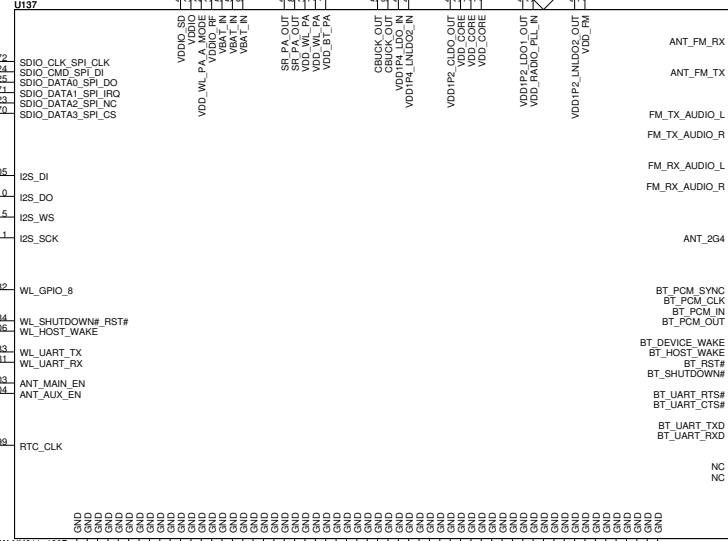
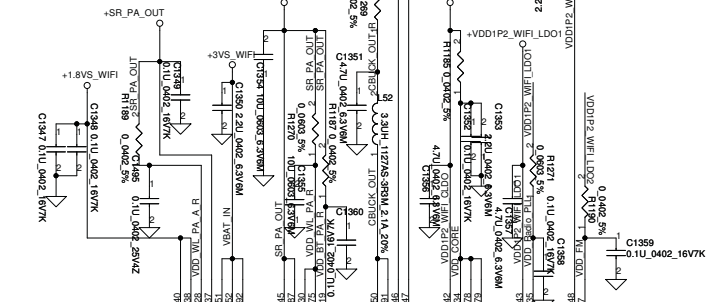
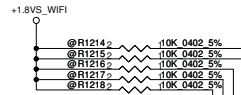
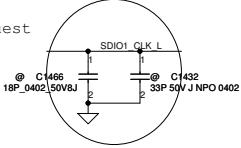


Security Classification		Compal Secret Data		Compal Electronics, Inc.		
Issued Date	2011/4/1	Deciphered Date	2008/09/20	Title		
				USB		
THIS SHEET OF ENGINEERING DRAWING IS THE PROPRIETARY PROPERTY OF COMPAL ELECTRONICS, INC. AND CONTAINS CONFIDENTIAL AND TRADE SECRET INFORMATION. THIS SHEET MAY NOT BE TRANSFERRED FROM THE CUSTODY OF THE COMPETENT DIVISION OF R&D DEPARTMENT EXCEPT AS AUTHORIZED BY COMPAL ELECTRONICS, INC. NEITHER THIS SHEET NOR THE INFORMATION IT CONTAINS MAY BE USED BY OR DISCLOSED TO ANY THIRD PARTY WITHOUT PRIOR WRITTEN CONSENT OF COMPAL ELECTRONICS, INC.				Size	Document Number	Rev
				Custom	PICASSO-E	0.1
				Date:	Monday, October 03, 2011	Sheet 17 of 32



Security Classification		Compal Secret Data		Compal Electronics, Inc.	
Issued Date	2011/4/1	Deciphered Date	2008/09/20	Title	GPS
THIS SHEET OF ENGINEERING DRAWING IS THE PROPRIETARY PROPERTY OF COMPAL ELECTRONICS, INC. AND CONTAINS CONFIDENTIAL AND TRADE SECRET INFORMATION. THIS SHEET MAY NOT BE TRANSFERRED FROM THE CUSTODY OF THE COMPETENT DIVISION OF R&D DEPARTMENT EXCEPT AS AUTHORIZED BY COMPAL ELECTRONICS, INC. NEITHER THIS SHEET NOR THE INFORMATION IT CONTAINS MAY BE USED BY OR DISCLOSED TO ANY THIRD PARTY WITHOUT PRIOR WRITTEN CONSENT OF COMPAL ELECTRONICS, INC.					
Size	Document Number			Rev	0.1
Custom	PICASSO-E			Date:	Monday, October 03, 2011
				Sheet	18 of 32

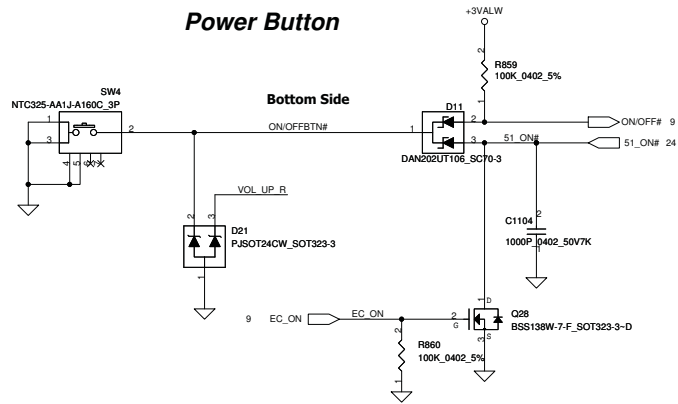
RF request



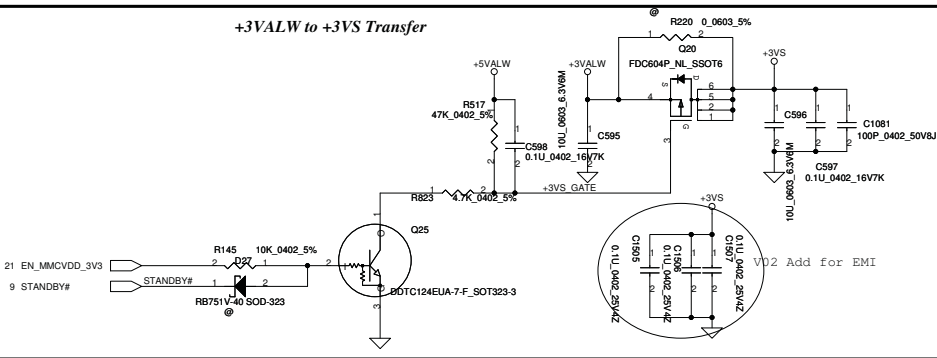
Security Classification	Compal Secret Data		Compal Electronics, Inc.	
Issued Date	2011/4/1	Deciphered Date	2008/09/20	Title
THIS SHEET OF ENGINEERING DRAWING IS THE PROPRIETARY PROPERTY OF COMPAL ELECTRONICS, INC. AND CONTAINS CONFIDENTIAL AND TRADE SECRET INFORMATION. THIS SHEET MAY NOT BE TRANSFERRED FROM THE CUSTODY OF THE COMPETENT DIVISION OF R&D DEPARTMENT EXCEPT AS AUTHORIZED BY COMPAL ELECTRONICS, INC. NEITHER THIS SHEET NOR THE INFORMATION IT CONTAINS MAY BE USED BY OR DISCLOSED TO ANY THIRD PARTY WITHOUT PRIOR WRITTEN CONSENT OF COMPAL ELECTRONICS, INC.				WIFI/BT
Size	Document Number	PICASSO-E		Rev
C				0.1
Date:	Monday, October 03, 2011	Sheet	19	of 32

Power Button

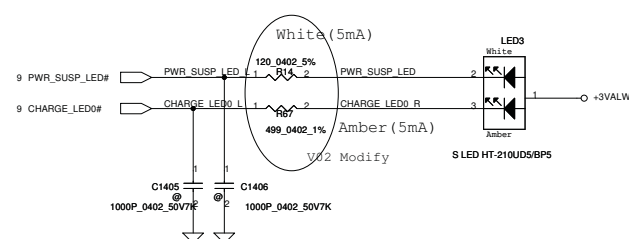
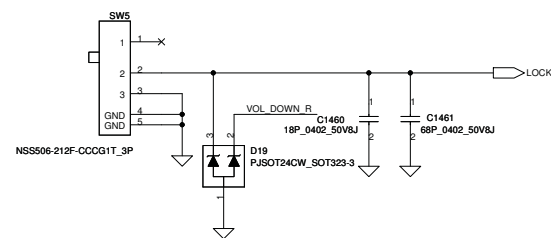
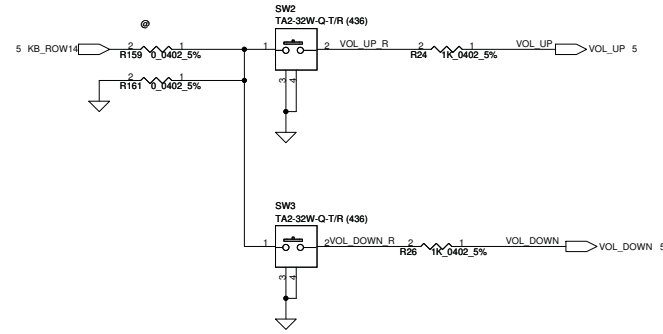
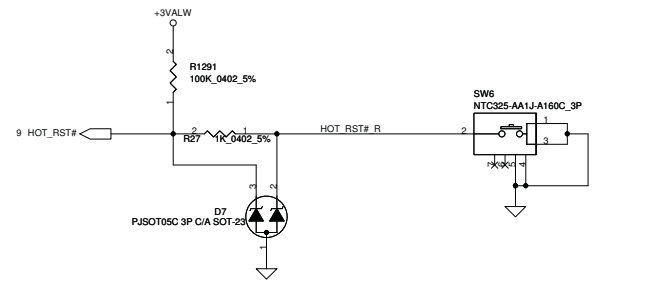
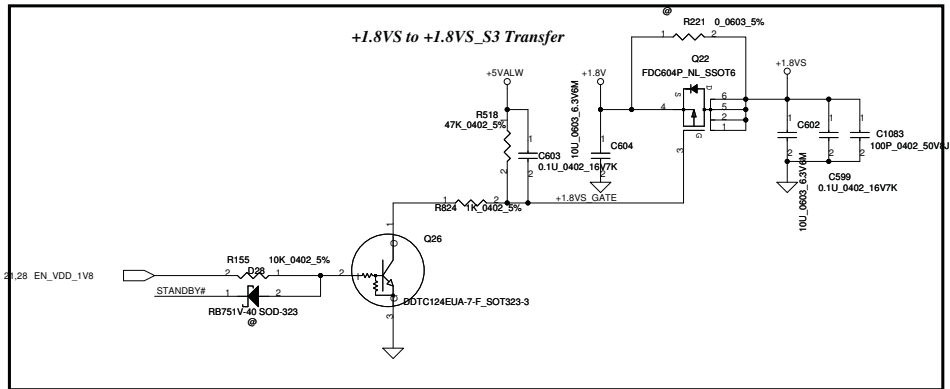
Bottom Side



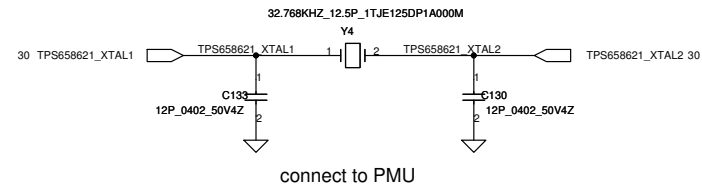
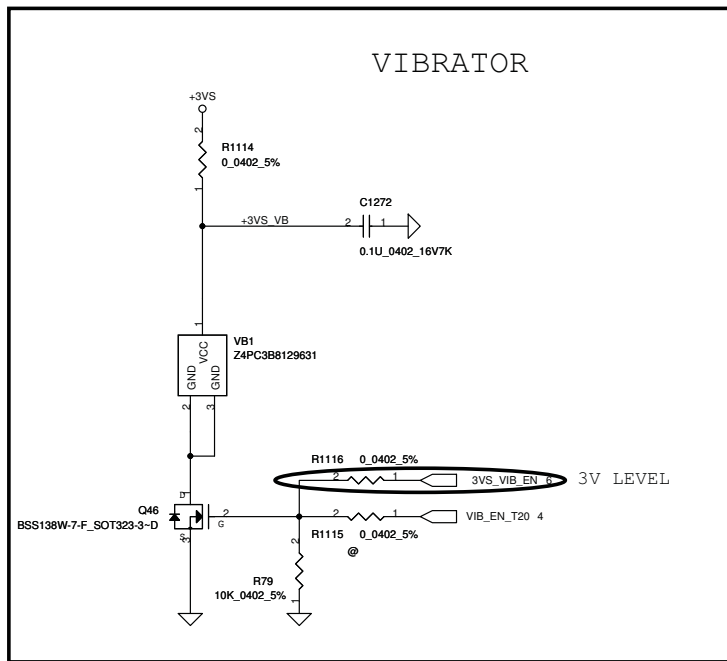
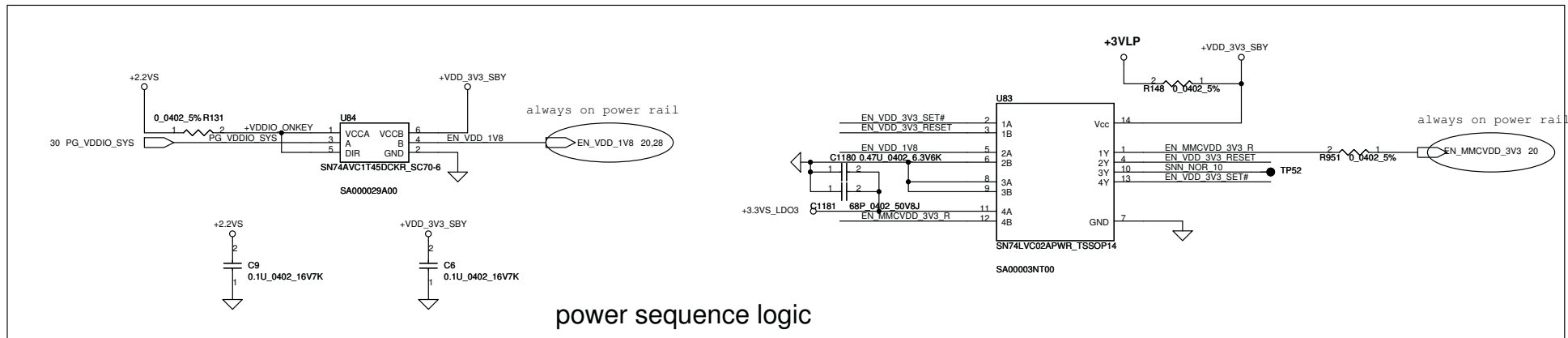
+3VALW to +3VS Transfer



+1.8VS to +1.8VS_S3 Transfer

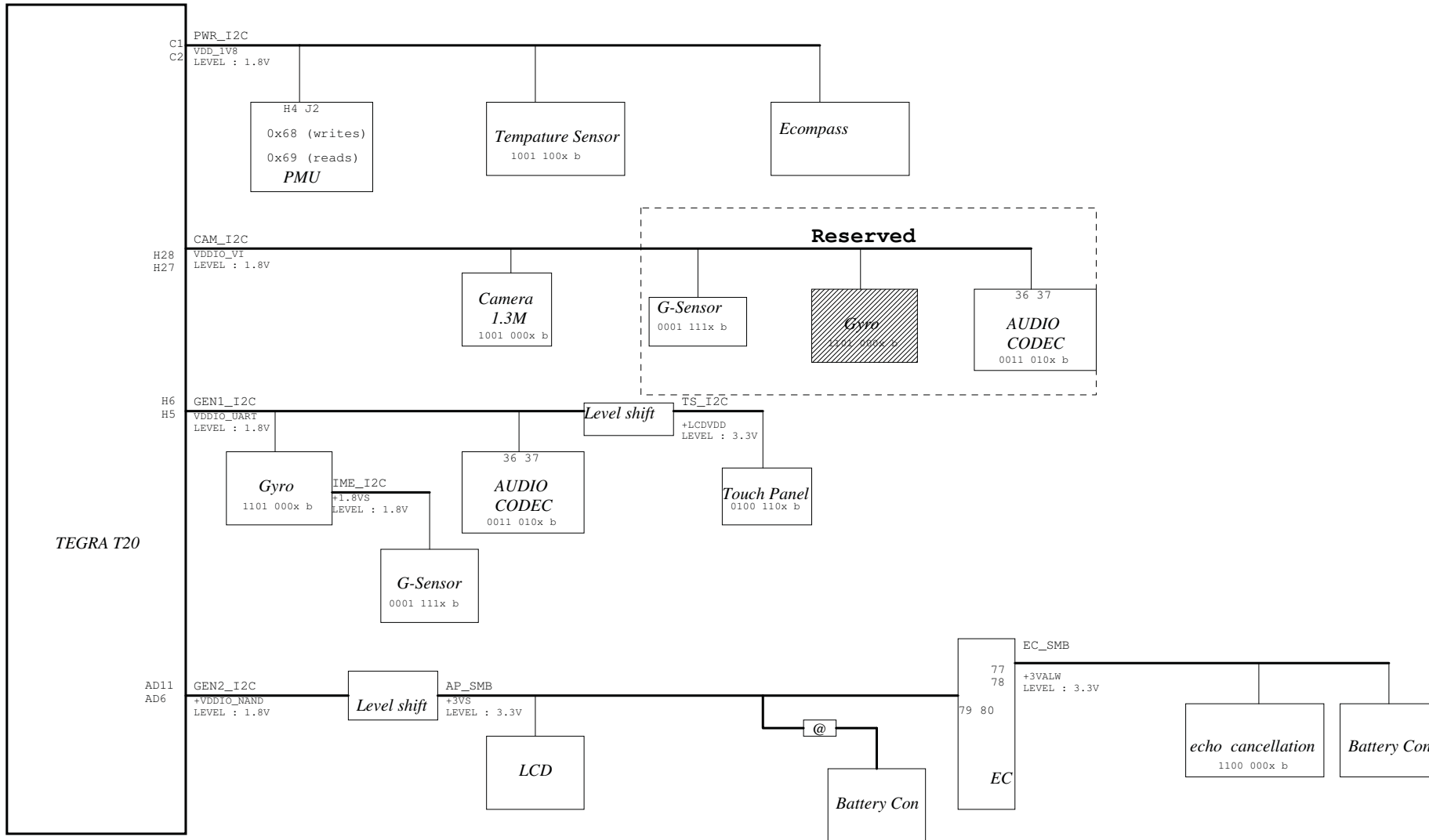


Security Classification	Compal Secret Data		Compal Electronics, Inc.	
Issued Date	2011/4/1	Deciphered Date	2008/09/20	Title
THIS SHEET OF ENGINEERING DRAWING IS THE PROPRIETARY PROPERTY OF COMPAL ELECTRONICS, INC. AND CONTAINS CONFIDENTIAL AND TRADE SECRET INFORMATION. THIS SHEET MAY NOT BE TRANSFERRED FROM THE CUSTODY OF THE COMPETENT DIVISION OF R&D DEPARTMENT EXCEPT AS AUTHORIZED BY COMPAL ELECTRONICS, INC. NEITHER THIS SHEET NOR THE INFORMATION IT CONTAINS MAY BE USED BY OR DISCLOSED TO ANY THIRD PARTY WITHOUT PRIOR WRITTEN CONSENT OF COMPAL ELECTRONICS, INC.				DD INTERFACE/SW
Size	C	Document Number	PICASSO-E	Rev
Date:	Monday, October 03, 2011	Sheet	20	of 32



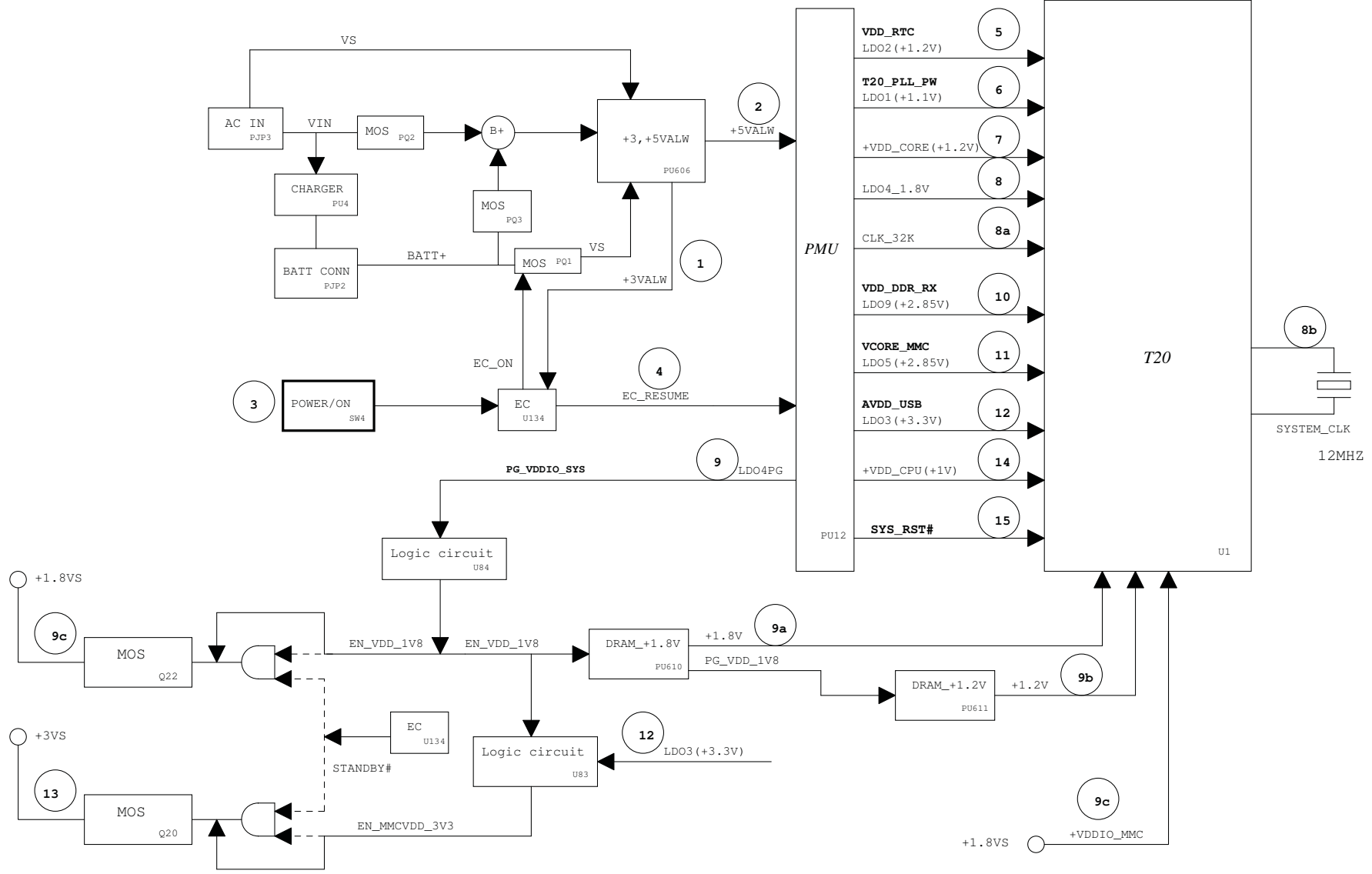
Security Classification	Compal Secret Data			Compal Electronics, Inc.	
Issued Date	2011/4/1	Deciphered Date	2008/09/20	Title	
THIS SHEET OF ENGINEERING DRAWING IS THE PROPRIETARY PROPERTY OF COMPAL ELECTRONICS, INC. AND CONTAINS CONFIDENTIAL AND TRADE SECRET INFORMATION. THIS SHEET MAY NOT BE TRANSFERRED FROM THE CUSTODY OF THE COMPETENT DIVISION OF R&D DEPARTMENT EXCEPT AS AUTHORIZED BY COMPAL ELECTRONICS, INC. NEITHER THIS SHEET NOR THE INFORMATION IT CONTAINS MAY BE USED BY OR DISCLOSED TO ANY THIRD PARTY WITHOUT PRIOR WRITTEN CONSENT OF COMPAL ELECTRONICS, INC.				MICRO SD/SEQUENCE	
Size	Document Number	Revision		Rev	
Custom	PICASSO-E		0.1		
Date:	Monday, October 03, 2011	Sheet	21	of 32	

PICASSO-E I2C Routing

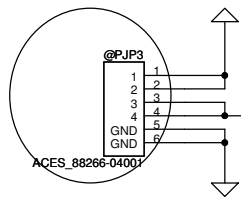


Security Classification	Compal Secret Data		Compal Electronics, Inc.	
Issued Date	2011/4/1	Deciphered Date	2008/09/20	Title
THIS SHEET OF ENGINEERING DRAWING IS THE PROPRIETARY PROPERTY OF COMPAL ELECTRONICS, INC. AND CONTAINS CONFIDENTIAL AND TRADE SECRET INFORMATION. THIS SHEET MAY NOT BE TRANSFERRED FROM THE CUSTODY OF THE COMPETENT DIVISION OF R&D DEPARTMENT EXCEPT AS AUTHORIZED BY COMPAL ELECTRONICS, INC. NEITHER THIS SHEET NOR THE INFORMATION IT CONTAINS MAY BE USED BY OR DISCLOSED TO ANY THIRD PARTY WITHOUT PRIOR WRITTEN CONSENT OF COMPAL ELECTRONICS, INC.				I2C ROUING
Size	C	Document Number	PICASSO-E	Rev
Date:	Monday, October 03, 2011	Sheet	22	of 32

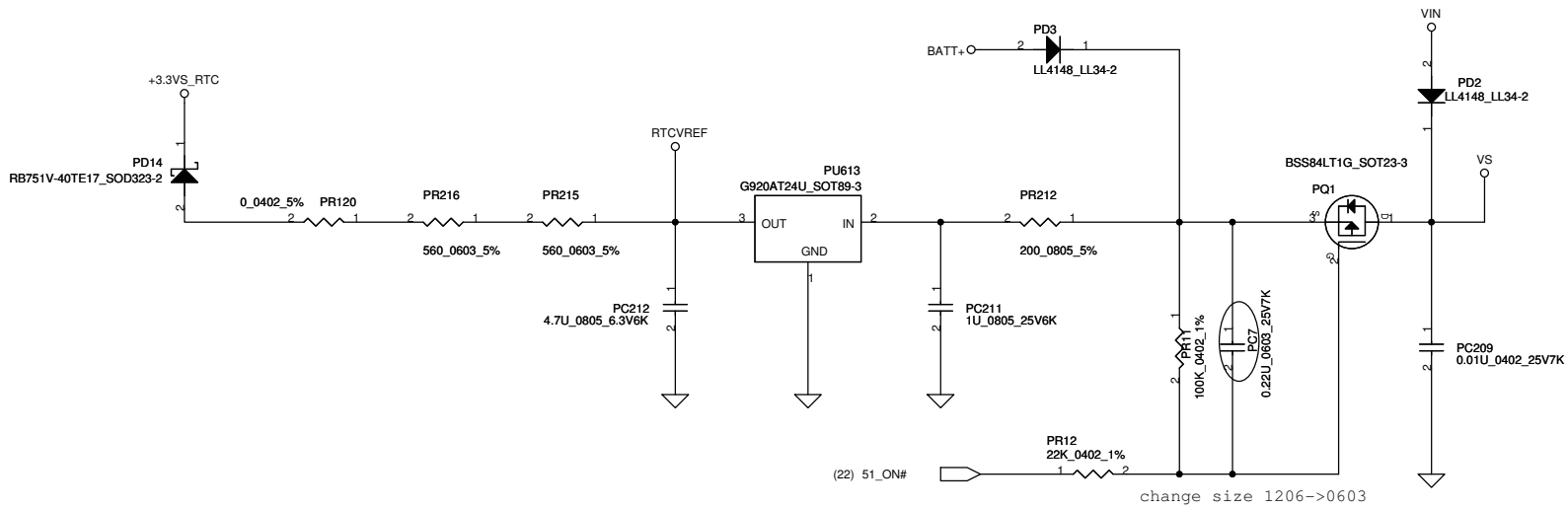
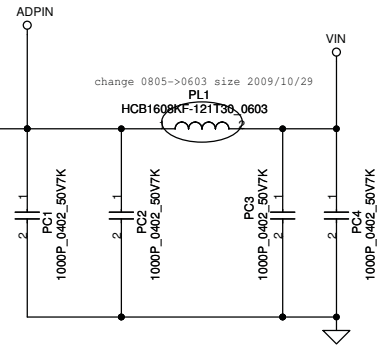
QCJ00 Power Sequence Flow Chart



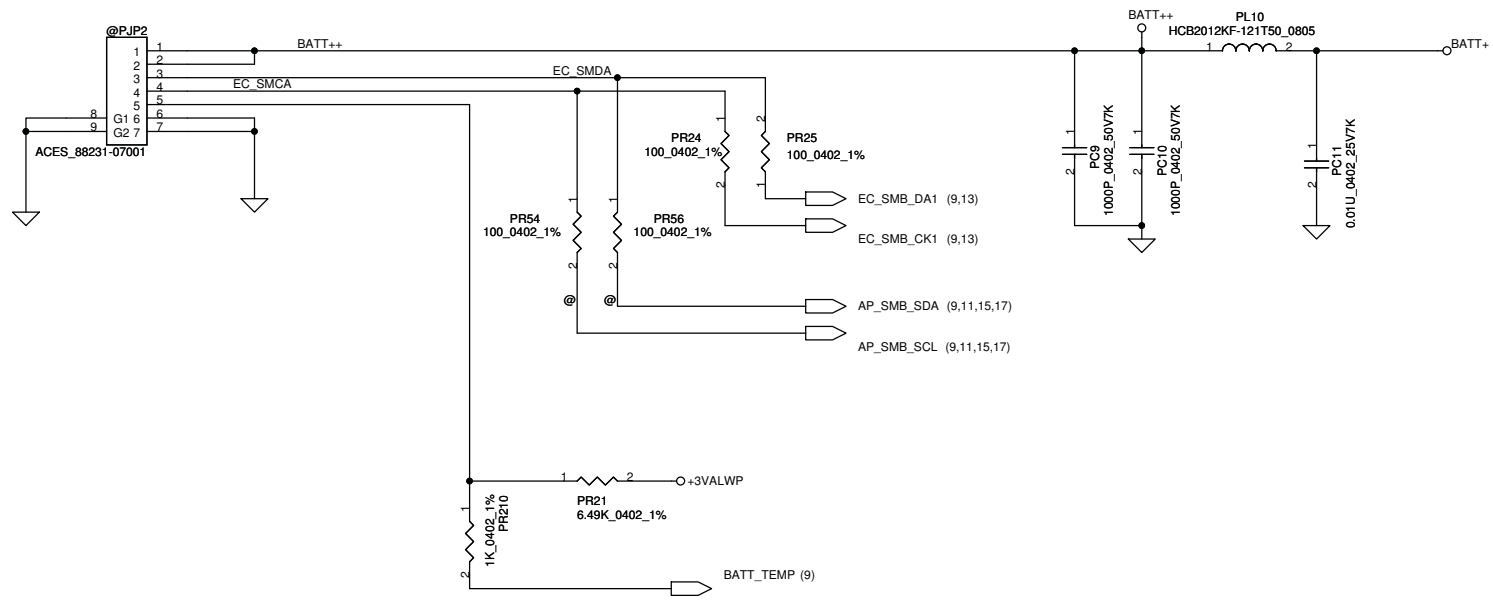
Security Classification	Compal Secret Data		Compal Electronics, Inc.	
Issued Date	2011/4/1	Deciphered Date	2008/09/20	Title
THIS SHEET OF ENGINEERING DRAWING IS THE PROPRIETARY PROPERTY OF COMPAL ELECTRONICS, INC. AND CONTAINS CONFIDENTIAL AND TRADE SECRET INFORMATION. THIS SHEET MAY NOT BE TRANSFERRED FROM THE CUSTODY OF THE COMPETENT DIVISION OF R&D DEPARTMENT EXCEPT AS AUTHORIZED BY COMPAL ELECTRONICS, INC. NEITHER THIS SHEET NOR THE INFORMATION IT CONTAINS MAY BE USED BY OR DISCLOSED TO ANY THIRD PARTY WITHOUT PRIOR WRITTEN CONSENT OF COMPAL ELECTRONICS, INC.				NV Power Diagram Size: Custom Document Number: LA-6531P Date: Monday, October 03, 2011
				Rev: 0.1
				Sheet 23 of 32



CO-LAY 10/28
 要换成(SP02000K200)
 11/2 已更换

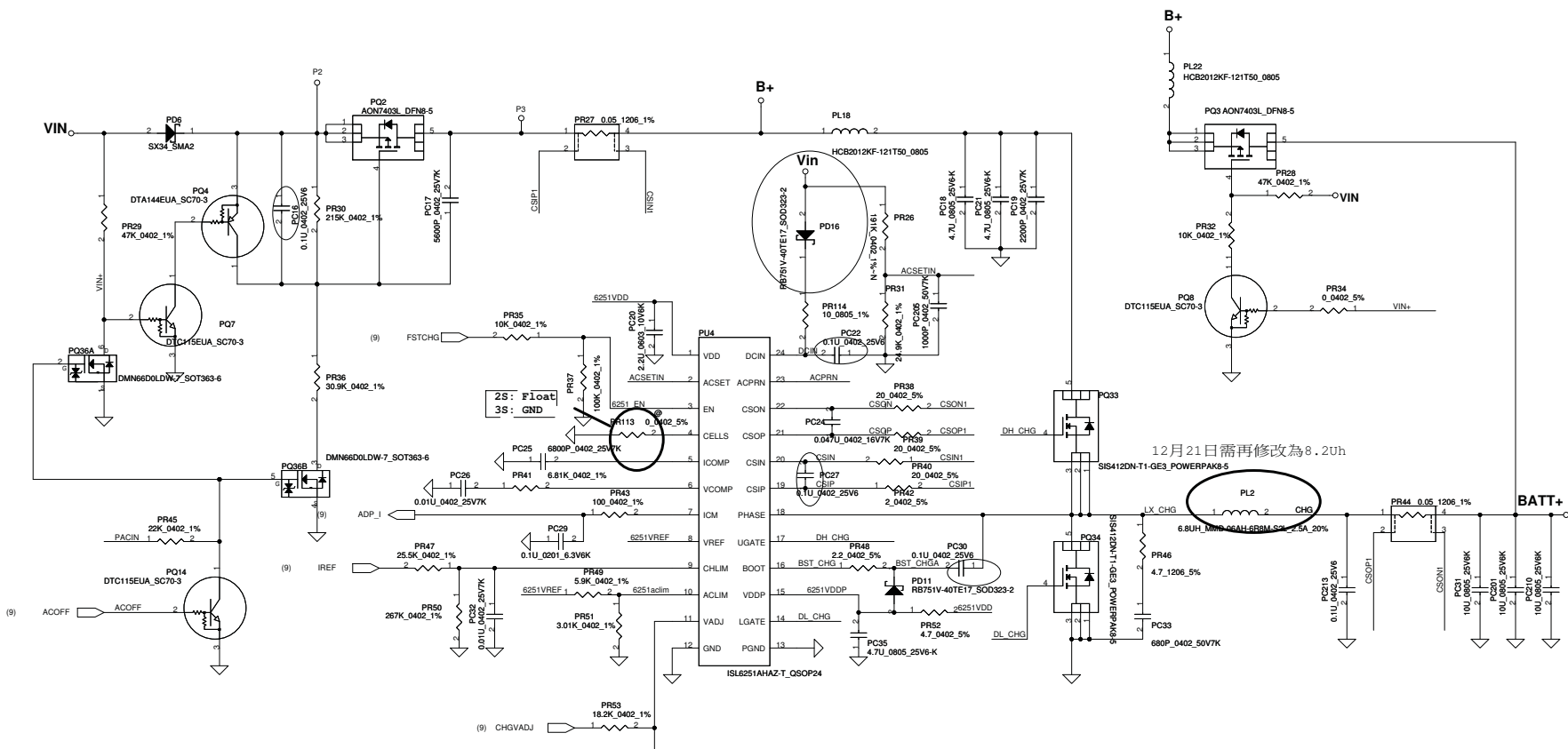


Security Classification		Compal Secret Data		Compal Electronics, Inc.	
Issued Date		2006/08/18	Deciphered Date	2008/09/20	Title
					DCIN/DETECTOR
THIS SHEET OF ENGINEERING DRAWING IS THE PROPRIETARY PROPERTY OF COMPAL ELECTRONICS, INC. AND CONTAINS CONFIDENTIAL AND TRADE SECRET INFORMATION. THIS SHEET MAY NOT BE TRANSFERRED FROM THE CUSTODY OF THE COMPETENT DIVISION OF R&D DEPARTMENT EXCEPT AS AUTHORIZED BY COMPAL ELECTRONICS, INC. NEITHER THIS SHEET NOR THE INFORMATION IT CONTAINS MAY BE USED BY OR DISCLOSED TO ANY THIRD PARTY WITHOUT PRIOR WRITTEN CONSENT OF COMPAL ELECTRONICS, INC.					Rev 0.2
Size Custom	Document Number	Picasso-E		Date:	Monday, October 03, 2011
			Sheet	24	of 36



Security Classification		Compal Secret Data		Compal Electronics, Inc.	
Issued Date		2006/08/18	Deciphered Date		2008/09/20
Title					
BATTERY CONN.					
Size		Document Number		Rev	
Custom		Picasso-E		0.2	
Date:		Monday, October 03, 2011		Sheet 25 of 36	

THIS SHEET OF ENGINEERING DRAWING IS THE PROPRIETARY PROPERTY OF COMPAL ELECTRONICS, INC. AND CONTAINS CONFIDENTIAL AND TRADE SECRET INFORMATION. THIS SHEET MAY NOT BE TRANSFERRED FROM THE CUSTODY OF THE COMPETENT DIVISION OF R&D DEPARTMENT EXCEPT AS AUTHORIZED BY COMPAL ELECTRONICS, INC. NEITHER THIS SHEET NOR THE INFORMATION IT CONTAINS MAY BE USED BY OR DISCLOSED TO ANY THIRD PARTY WITHOUT PRIOR WRITTEN CONSENT OF COMPAL ELECTRONICS, INC.



12月21日需再修改为8.2uH

I_{ada} = 0~1.5A (1.8W), CP → 15.3W

CP mode
 $V_{acrim} = 2.39 \times (20K/152K) / (24.9K/152K + 20K/152K) = 1.0812V$
 $I_{input} = (1/0.05) \times (0.05 \times V_{acrim}) / (2.39 + 0.05) = 1.4524$

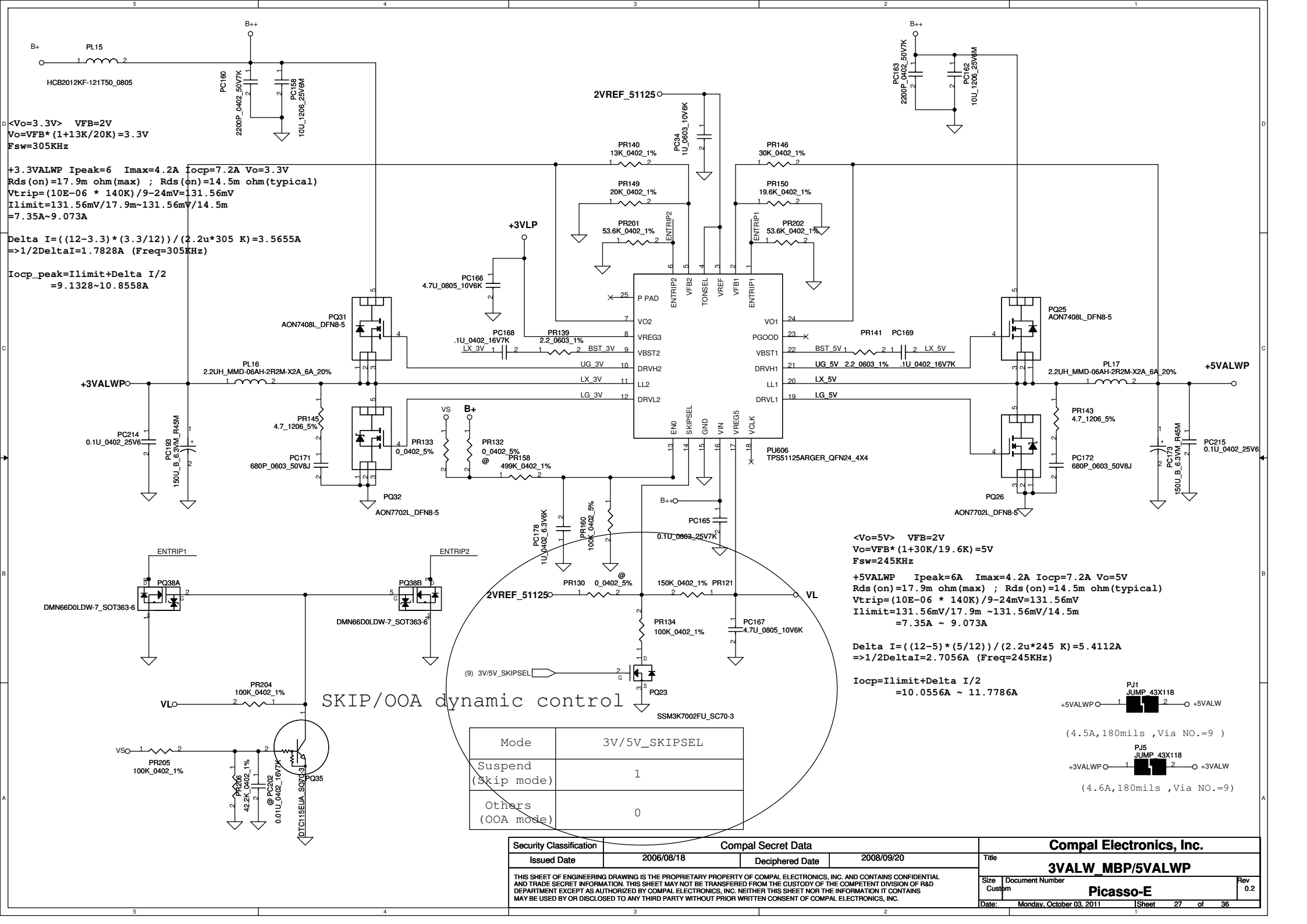
CC = 0.25~1.58A
 $I_{charge} = 0.165 / 0.05 \times V_{chlim} / 3.3$
 $I_{REF} = 1.57 \times I_{charge}$
 $I_{REF} = 0.7856V \sim 3.3V$
 $3.3V \Rightarrow 2.1A$

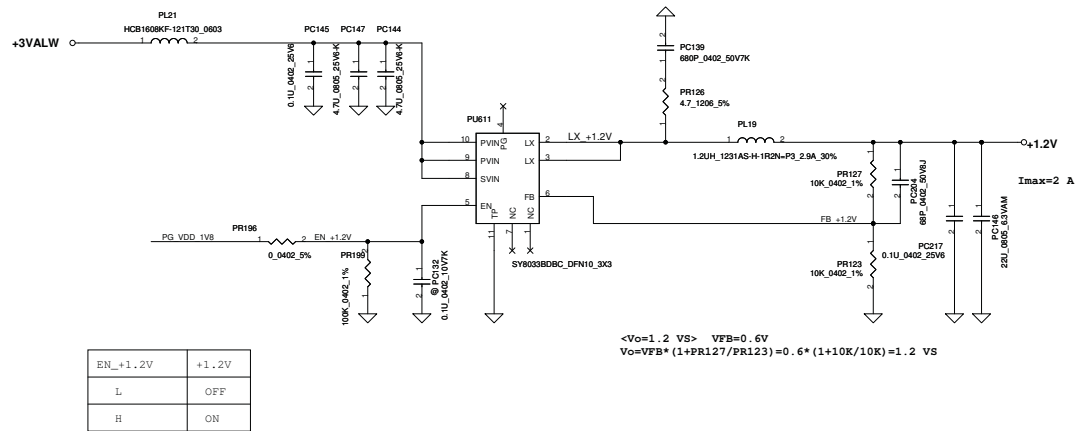
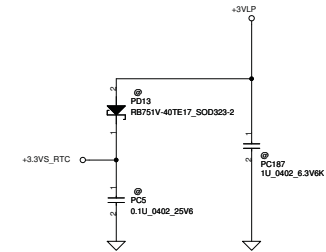
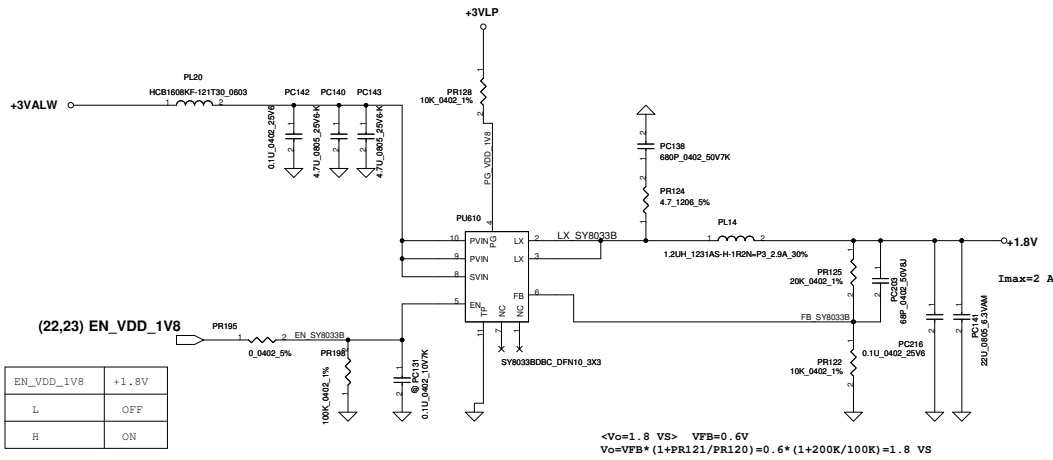
CHGVADJ	Per Cell
H	4.35V
L	3.99V

CHGVADJ	CV mode
0V	4V
1.885V	4.2V
3.3V	4.35V

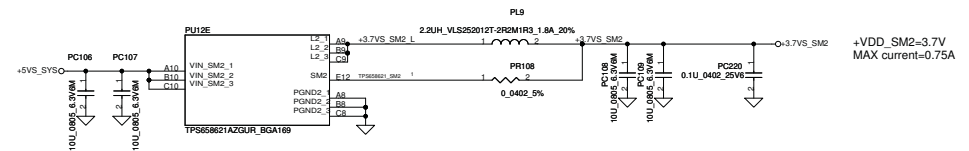
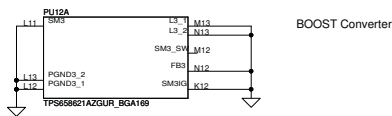
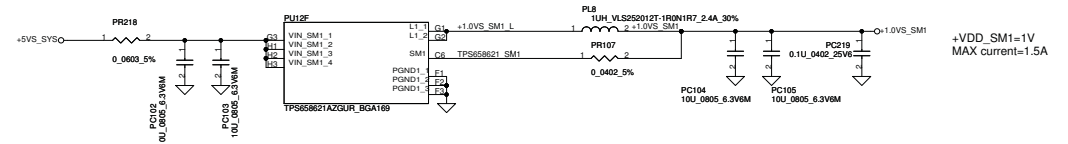
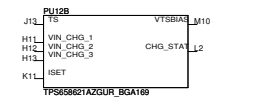
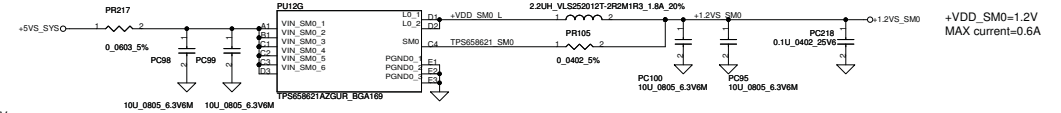
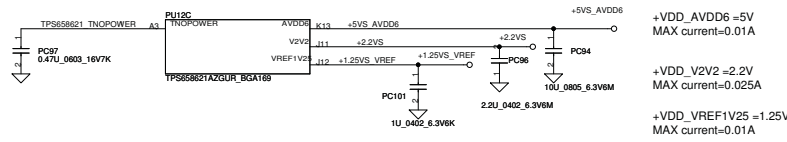
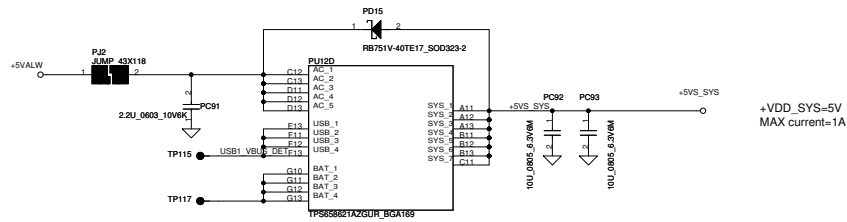
BATT Type	Charging Voltage (0x15)	CV mode
Normal 2S LI-ON Cells	8400mV	8.4V

Vin Detector
 High 11.358V
 Low 11.003V



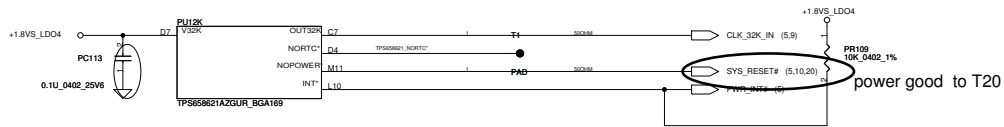
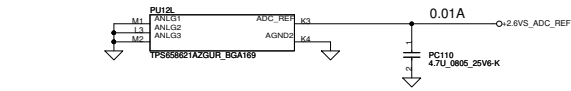


Security Classification	Compal Secret Data		Compal Electronics, Inc.	
Issued Date	2006/08/18	Deciphered Date	2008/09/20	Title
THIS SHEET OF ENGINEERING DRAWING IS THE PROPRIETARY PROPERTY OF COMPAL ELECTRONICS, INC. AND CONTAINS CONFIDENTIAL AND TRADE SECRET INFORMATION. THIS SHEET MAY NOT BE TRANSFERRED FROM THE CUSTODY OF THE COMPETENT DIVISION OF R&D DEPARTMENT EXCEPT AS AUTHORIZED BY COMPAL ELECTRONICS, INC. NEITHER THIS SHEET NOR THE INFORMATION IT CONTAINS MAY BE USED BY OR DISCLOSED TO ANY THIRD PARTY WITHOUT PRIOR WRITTEN CONSENT OF COMPAL ELECTRONICS, INC.				+1.8VS/+1.2V Picasso-E
Size	Document Number	Rev	Date	
Sheet	28	0.2	Monday, October 03, 2011 12:00:28 PM	

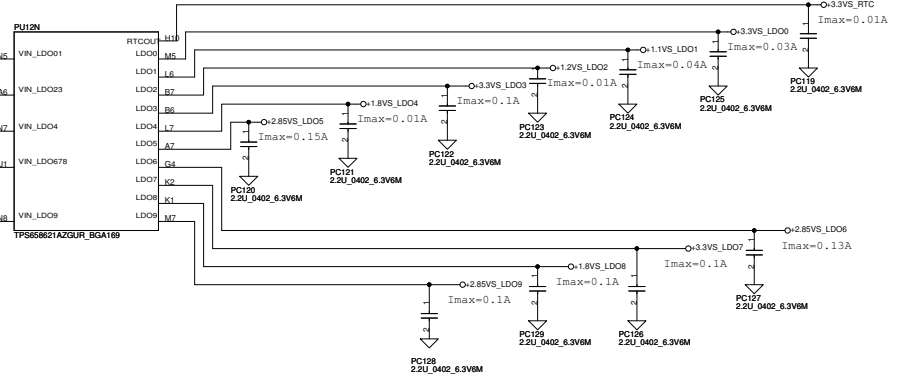
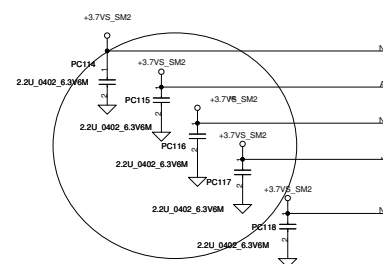


PMU #1

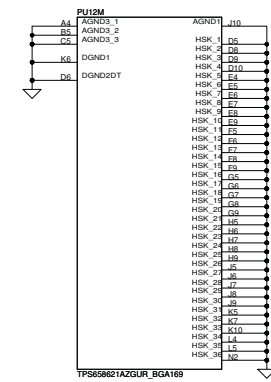
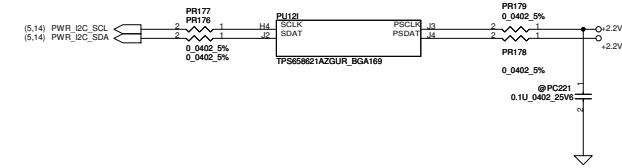
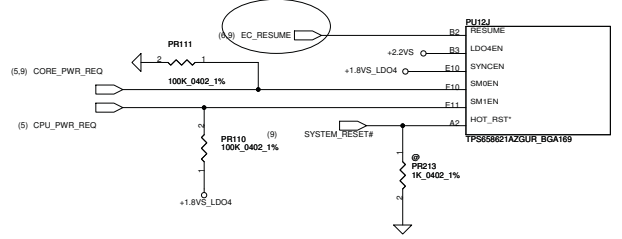
Security Classification	Compal Secret Data		Compal Electronics, Inc.	
Issued Date	2006/08/18	Deciphered Date	2008/09/20	Title
THIS SHEET OF ENGINEERING DRAWING IS THE PROPRIETARY PROPERTY OF COMPAL ELECTRONICS, INC. AND CONTAINS CONFIDENTIAL AND TRADE SECRET INFORMATION. THIS SHEET MAY NOT BE TRANSFERRED FROM THE CUSTODY OF THE COMPETENT DIVISION OF R&D DEPARTMENT EXCEPT AS AUTHORIZED BY COMPAL ELECTRONICS, INC. NEITHER THIS SHEET NOR THE INFORMATION IT CONTAINS MAY BE USED BY OR DISCLOSED TO ANY THIRD PARTY WITHOUT PRIOR WRITTEN CONSENT OF COMPAL ELECTRONICS, INC.				PMU#1 Picasso-E
Size	Document Number	Rev	Date: Monday, October 03, 2011 1 Sheet 29 of 36	



LAYOUT元件擺位出PIN



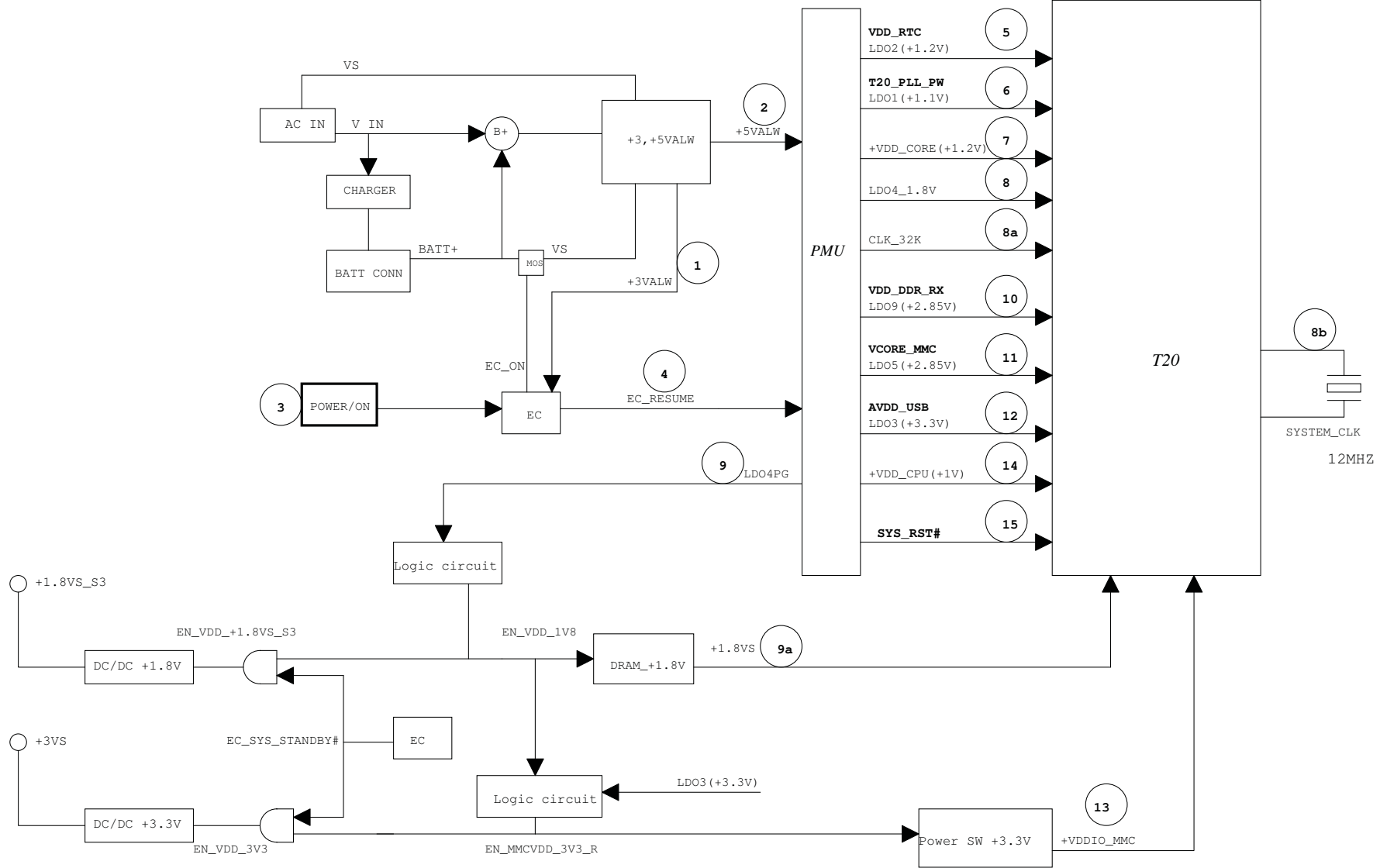
接到EC (POWER BUTTON)



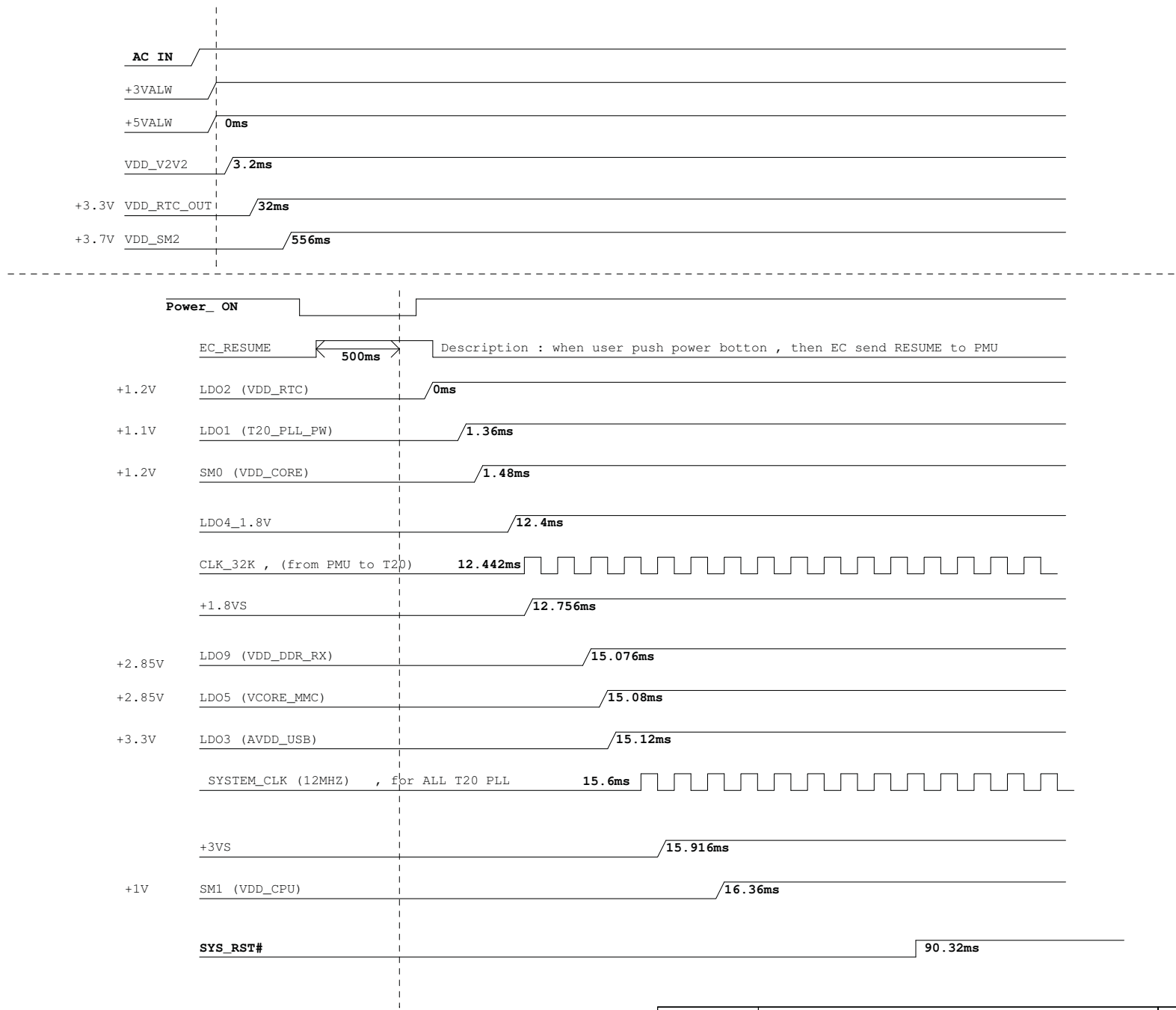
PMU #2

Security Classification	Compal Secret Data		Compal Electronics, Inc.	
Issued Date	2006/08/18	Deciphered Date	2008/09/20	
THIS SHEET OF ENGINEERING DRAWING IS THE PROPRIETARY PROPERTY OF COMPAL ELECTRONICS, INC. AND CONTAINS CONFIDENTIAL AND TRADE SECRET INFORMATION. THIS SHEET MAY NOT BE TRANSFERRED FROM THE CUSTODY OF THE COMPETENT DIVISION OF R&D DEPARTMENT EXCEPT AS AUTHORIZED BY COMPAL ELECTRONICS, INC. NEITHER THIS SHEET NOR THE INFORMATION IT CONTAINS MAY BE USED BY OR DISCLOSED TO ANY THIRD PARTY WITHOUT PRIOR WRITTEN CONSENT OF COMPAL ELECTRONICS, INC.			Title	PMU#2
Size	Sheet	Document Number	Date	Rev
	1	03	Monday, October 03, 2011	2.2
			Product	Picasso-E
			Sheet	30 of 38

PBJ20 Power Sequence Flow Chart

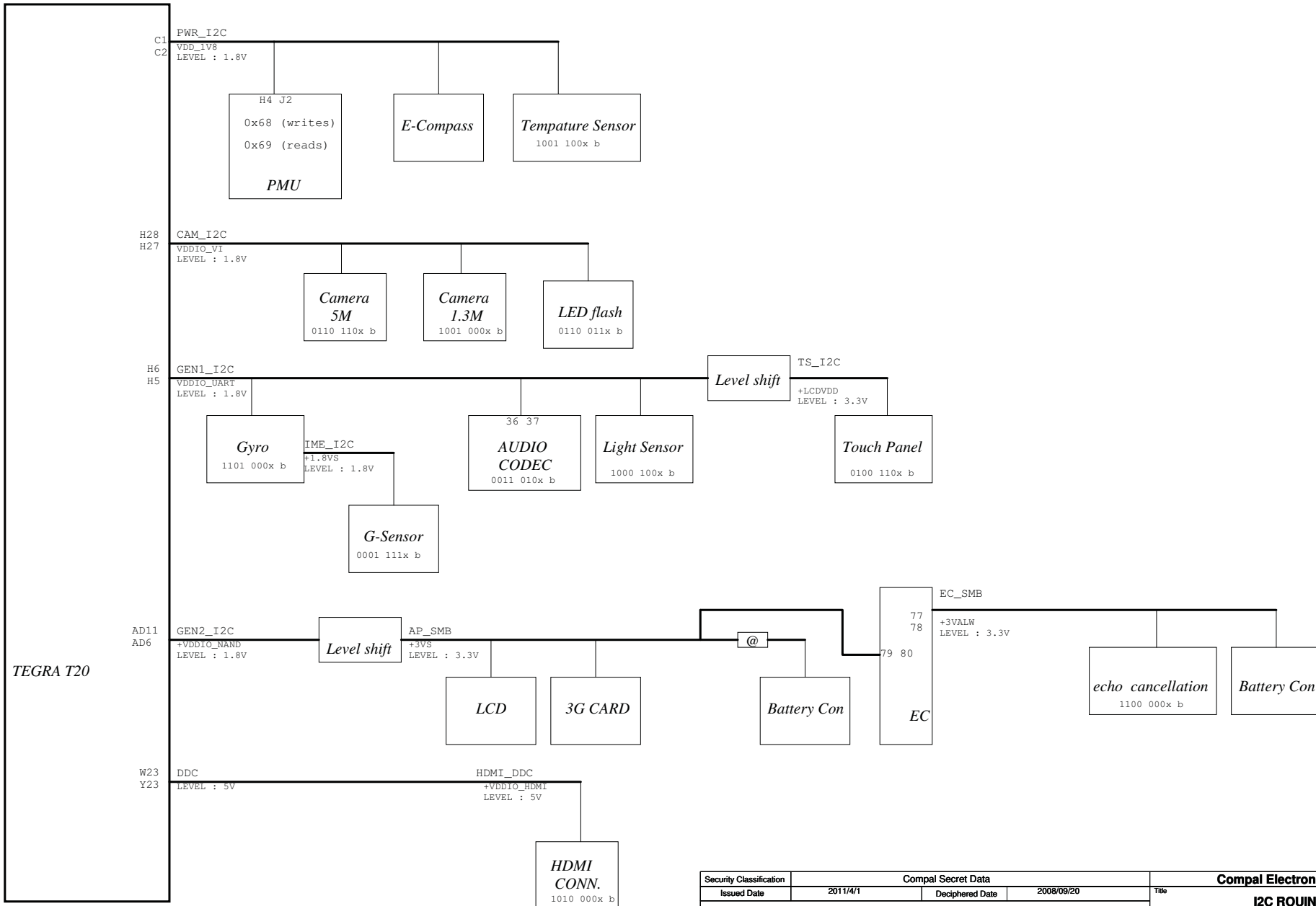


Security Classification		Compal Secret Data		Compal Electronics, Inc.	
Issued Date	2011/4/1	Deciphered Date	2008/09/20	Title	
THIS SHEET OF ENGINEERING DRAWING IS THE PROPRIETARY PROPERTY OF COMPAL ELECTRONICS, INC. AND CONTAINS CONFIDENTIAL AND TRADE SECRET INFORMATION. THIS SHEET MAY NOT BE TRANSFERRED FROM THE CUSTODY OF THE COMPETENT DIVISION OF R&D DEPARTMENT EXCEPT AS AUTHORIZED BY COMPAL ELECTRONICS, INC. NEITHER THIS SHEET NOR THE INFORMATION IT CONTAINS MAY BE USED BY OR DISCLOSED TO ANY THIRD PARTY WITHOUT PRIOR WRITTEN CONSENT OF COMPAL ELECTRONICS, INC.				NV Power Diagram	
Size	Document Number	Rev		0.1	
Custom	LA-6531P	Date:		Monday, October 03, 2011	
		Sheet		32 of 36	



Security Classification		Compal Secret Data		Compal Electronics, Inc.	
Issued Date	2011/4/1	Deciphered Date	2008/09/20	Title	
THIS SHEET OF ENGINEERING DRAWING IS THE PROPRIETARY PROPERTY OF COMPAL ELECTRONICS, INC. AND CONTAINS CONFIDENTIAL AND TRADE SECRET INFORMATION. THIS SHEET MAY NOT BE TRANSFERRED FROM THE CUSTODY OF THE COMPETENT DIVISION OF R&D DEPARTMENT EXCEPT AS AUTHORIZED BY COMPAL ELECTRONICS, INC. NEITHER THIS SHEET NOR THE INFORMATION IT CONTAINS MAY BE USED BY OR DISCLOSED TO ANY THIRD PARTY WITHOUT PRIOR WRITTEN CONSENT OF COMPAL ELECTRONICS, INC.				Size	Document Number
				Custom	LA-6531P
Date: Monday, October 03, 2011				Sheet	33 of 36

PBJ20 I2C Routing

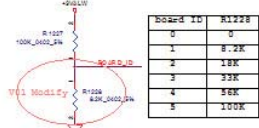
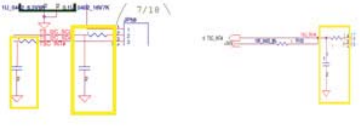




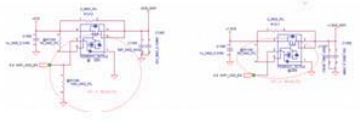
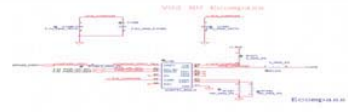



Security Classification	Compal Secret Data		Compal Electronics, Inc.	
Issued Date	2011/4/1	Deciphered Date	2008/09/20	Title
THIS SHEET OF ENGINEERING DRAWING IS THE PROPRIETARY PROPERTY OF COMPAL ELECTRONICS, INC. AND CONTAINS CONFIDENTIAL AND TRADE SECRET INFORMATION. THIS SHEET MAY NOT BE TRANSFERRED FROM THE CUSTODY OF THE COMPETENT DIVISION OF R&D DEPARTMENT EXCEPT AS AUTHORIZED BY COMPAL ELECTRONICS, INC. NEITHER THIS SHEET NOR THE INFORMATION IT CONTAINS MAY BE USED BY OR DISCLOSED TO ANY THIRD PARTY WITHOUT PRIOR WRITTEN CONSENT OF COMPAL ELECTRONICS, INC.				I2C ROUING
Size	Document Number	Rev		
C	LA-6531P	0.1		
Date:	Monday, October 03, 2011	Sheet	34	of 36

Version change list (P.I.R. List)

Item	Fixed Issue	Reason for change	Rev.	PG#	Modify List	Date	Phase
1	RFQ	Remove Dockin function	NA	P24	Remove PR211, PD7	07/04	NA
2	RFQ	Height limitation	NA	P26	Change PL2 to SH00000MH00	07/04	NA
3	RFQ	Height limitation	NA	P27	Change PL16, PL17 to SH00000FK00	07/04	NA
4	RFQ	Remove LED flash function	NA	NA	Remove LED flash circuit	07/04	NA
5	Miss component update to ispd	Miss component update to ispd	NA	P28	ADD PL20,PL21	8/29	DVT
6	Emi test power noise	Solve power noise		P26	ADD PL18,PL22,PR46,PC33	9/28	PVT
7	Emi test power noise	Solve power noise		P27	ADD PR143,PR145,PC171,PC172	9/28	PVT
8							
9							
10							
11							
12							
13							
14							
15							
16							
17							
18							
19							
20							
21							
22							
23							
24							
25							
26							

Version V0.2 change to V0.3 list (P.I.R. List)

Item	PCB No	Issues Description	Change & Modify List
1	LA-8111P	PCB進版: R1228 8.2K --> 18K	
2	LA-8111P	EMI: Protect the control board coupling the 168 MHz noise TS_12C_SCL,TS_12C_SDA,TSC_INT# Add 33ohm R and 22P C C1501,C1503,C1504,R1388,R1389,R1390	
3	LA-8111P	EMI: Protect the control board coupling the 168 MHz noise TOUCH_LDO_EN R1031 33ohm and C1502 22P	
4	LA-8111P	EMI: Protect the control board coupling the 168 MHz noise add C1499 22P C in LCD_BL_EN	
5	LA-8111P	EMI: To filter the card reader EMI noise SDIO3_CLK R232 0 --> 33 add C1500 cap 22p	
6	LA-8111P	EMI: To filter the card reader EMI coupling noise C5 Add 22P C in SDIO1_CLK R122 --> 33	
7	LA-8111P	ACER Requirements ADD R1210,R1211 NU R1348,R1349,R1384,r1357, Q58,Q59	
8	LA-8111P	Ecompass Function DEL: NU C1496~c1498,R1377,R1379~R1382,U148	
9	LA-8111P	LED太亮: R14 100 --> 120 R67 300 --> 499	

Security Classification	Compal Secret Data			Compal Electronics, Inc.		
Issued Date	2011/4/1	Deciphered Date	2008/09/20	Title PIR-HW-1		
THIS SHEET OF ENGINEERING DRAWING IS THE PROPRIETARY PROPERTY OF COMPAL ELECTRONICS, INC. AND CONTAINS CONFIDENTIAL AND TRADE SECRET INFORMATION. THIS SHEET MAY NOT BE TRANSFERRED FROM THE CUSTODY OF THE COMPETENT DIVISION OF R&D DEPARTMENT EXCEPT AS AUTHORIZED BY COMPAL ELECTRONICS, INC. NEITHER THIS SHEET NOR THE INFORMATION IT CONTAINS MAY BE USED BY OR DISCLOSED TO ANY THIRD PARTY WITHOUT PRIOR WRITTEN CONSENT OF COMPAL ELECTRONICS, INC.				Size	Document Number	Rev
				Custom	LA-6531P	0.1
Date: Monday, October 03, 2011				Sheet	36	of 36

www.s-manuals.com